

Directory

Stinger 6500 Stacker

Parts Manual 2014 & 2015 S/N 658 thru 790 (Including S/N 609)

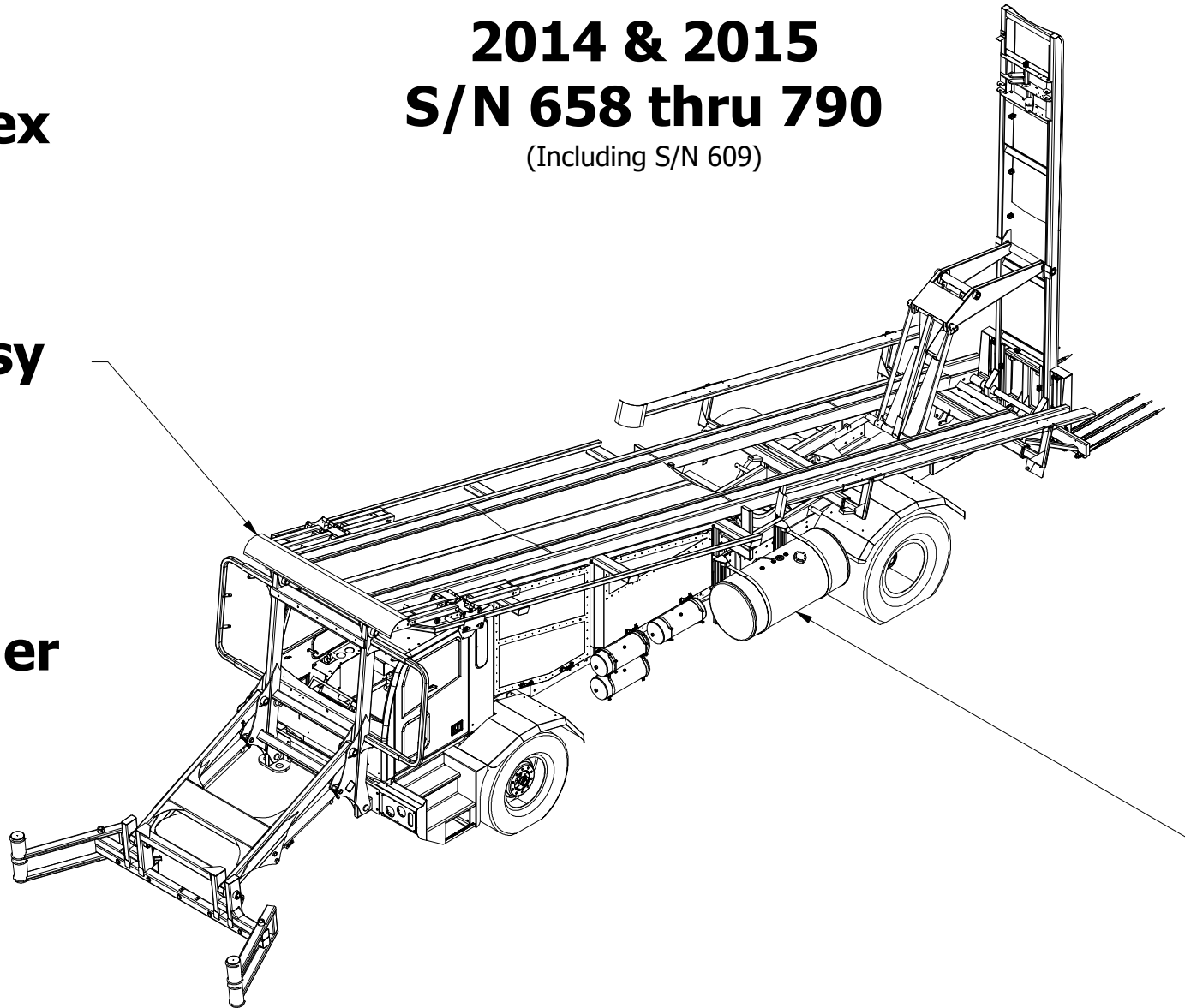
**Other
Documents**

Index

Unit Assy

Bale Oiler

Lights



**Filters &
Belts**

Fluids

Chassis

Revised 07/01/2015

Other Documentation

These files will open in a new window

Back

Home

**Allison Owners
Manual**

**CCC Parts
Manual**

**Allison Service
Manual**

**CCC Service
Manual**

**Cleanfix Parts
Manual**

**Cummins
Website**

**Stinger 6500 Stacker
Index**

Back

Home

**Control
Valves**

**Hydraulic
Cylinders**

Frontend

Stackframe

Main Slide

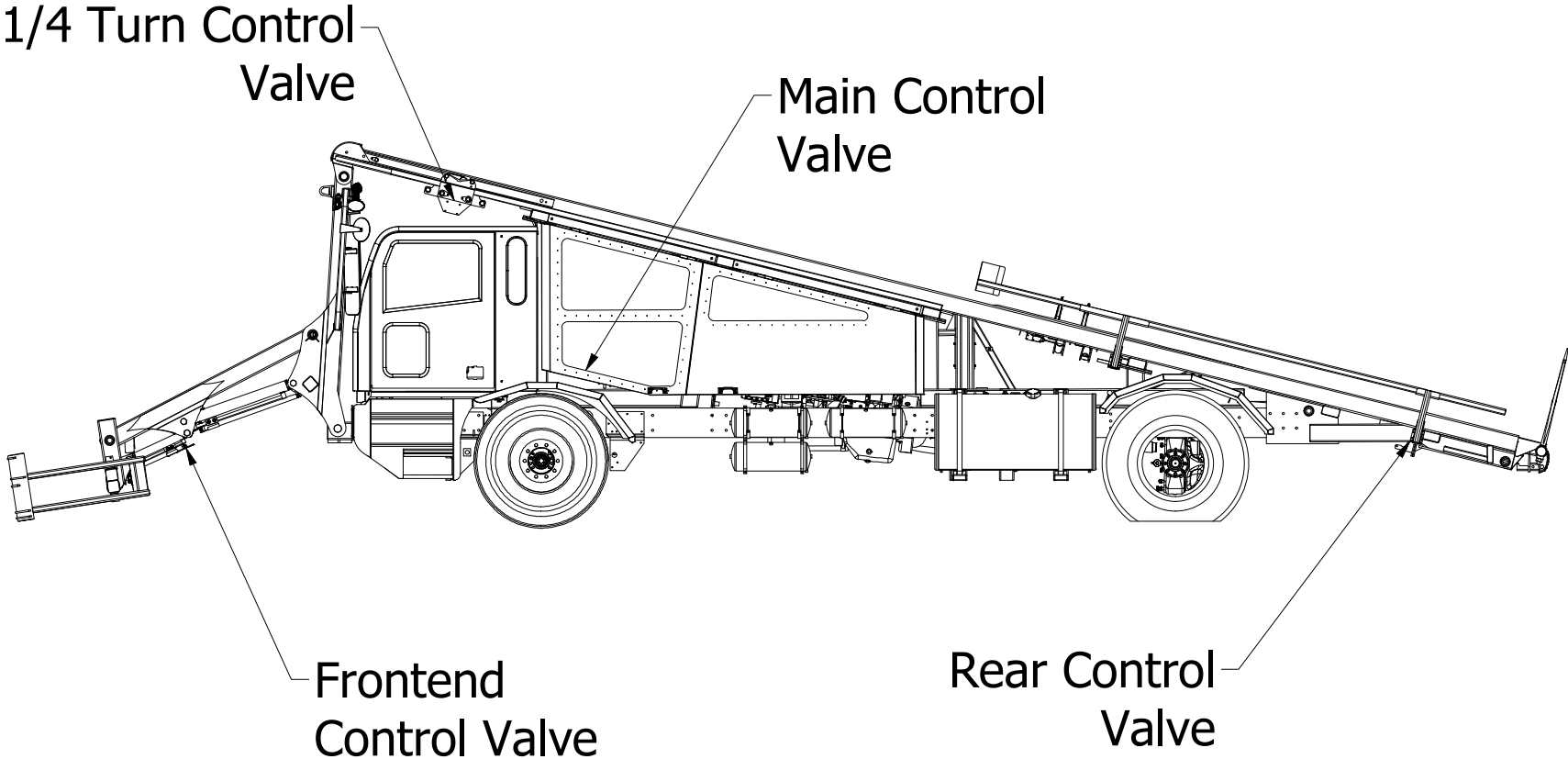
Doors

Stinger 6500 Stacker

[Back](#)

[Home](#)

Control Valves Locations

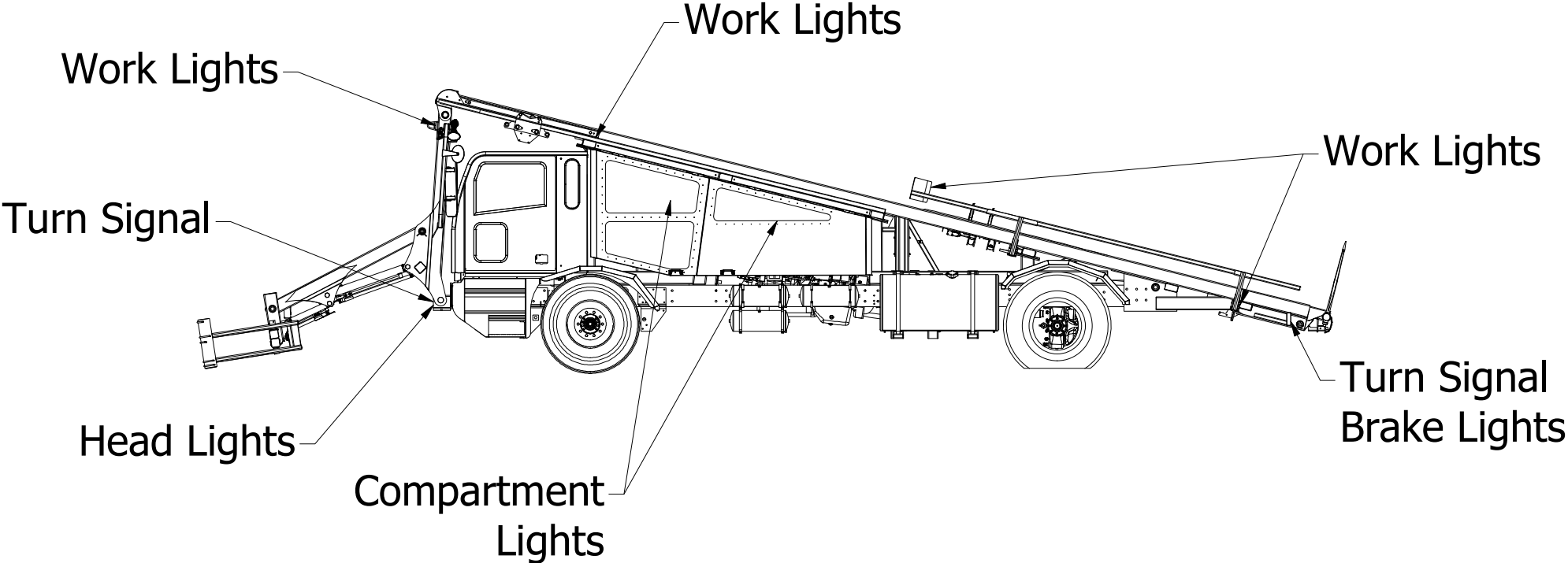


Stinger 6500 Stacker

[Back](#)

[Home](#)

Light Index



Kit to change to new Head Lights.....20182600

Hydraulic Cylinder Index

Back

Home

**Front
Cylinders**

**Rear
Cylinders**

Fluids Index

Back

Home

**Power
Steering**

Engine Oil

**Hydraulic
Oil**

**Rear
Differential**

**Transmission
Oil**

Bale Oiler

Power Steering Fluids

[Back](#)

Filter part #1490-5469

(Nelson #83804E....Donaldson #P550637)

Change filter after 250 hrs and every 1000 hrs thereafter

[Home](#)

10 qts fills the system

Approved Hydraulic Fluids

Automatic Transmission Fluid Dexron II
Automatic Transmission Fluid Type "E" or "F"
Chevron 10W-40
Chevron Custom 10W-40 Motor Oil
Chevron Torque 5 Fluid
Exxon Nuto H32 Hydraulic Fluid
Fleetrite PSF (Can #990625C2)
Ford Spec. M2C138CJ
Mack EO-K2 Engine Oil

Mobil ATF 210
Mobil Super 10W-40 Motor Oil
Premium Blue 2000 - SAE 15W-40
*Shell Rotella T30W
*Shell Rotella T SAE 30
Texaco 10W-40
Texaco TL-1833 Power Steering Fluid
Union 10W-40
Union 15W-40
Unocal Guardol 15W-40 Motor Oil

The steering system should be kept filled with one of the above fluids. Fluids marked with an asterisk (*) have not been approved for use with TRW's pump.



WARNING

Completely flush the steering system with one of the recommended fluids above only. Do not mix oil types. Any mixture or any unapproved oil could lead to seal deterioration and leaks. A leak could ultimately cause the loss of fluid, which could result in a loss of power steering assist.

Rear Differential Oil

[Back](#)

[Home](#)

The Rear differential uses 85/140 gear lube

It takes 39 pints to fill the system

Change oil after the first 250 hrs

and every 12 months thereafter

Hydraulic Oil

[Back](#)

[Home](#)

Filter #1490-5214

(Donaldson #P16-5878)

Hydraulic oil should have an ISO AW-46 rating

(Approx. 73 gallons fills the system)

John Deer Hy-Guard & CIH Hy-Trans work fine

Change filter every 12 months

Transmission Oil

Back

Filter #1490-4598

Home

(Allison #29548988.....Donaldson #P560971)

Transmission Oil should be Allison approved

(T.E.S. 295)

Initial fill 32 qts, Refill 22 qts

**Change the filter at 200 hrs then
Change Oil/Filter every 3000 hrs for synthetic Oils**

**Partial List of
T.E.S. 295 Oils**

Engine Oil

Back

Home

Filter #1490-5208

(Fleetguard #LF9009.....Donaldson #P553000)

Oil Change 20 qts

Change oil/filter every 500 hrs

Belts & Filters

[Back](#)

[Filters](#)

[Home](#)

Engine Oil Filter	1490-5208	(Fleetguard #LF9009...Donaldson #P553000)
Fuel Filters	1490-5670	(Fleetguard #FF5580...Donaldson #P550774)
.....	1490-5799	(Fleetguard #LS19732...Donaldson #P550848)
Transmission Filter	1490-4598	(Allison #29548988...Donaldson #P560971)
Engine Air Filter	1490-6195	(Parker #500375001)
.....	1490-6196	(Parker #500443001)
Hydraulic Oil Filter	1490-5214	(Donaldson #P16-5878)
Power Steering Filter	1490-5469	(Nelson #83804E...Donaldson #P550637)
A/C Filters		
Fresh air Filter (Outside)	1490-6328	(Aurora # 436-440-0255)
Recirculate Filter (Inside)	1490-6329	(Aurora # 436-440-0008)

Belts

Serpentine (Fan Belt)

S/N 480-791, 795-802, 804-813, A1000.....**1490-5985** (Cummins #3974248...Dayco #5080925)

S/N 792-794, 803, 1001-1006.....**1490-5672** (Cummins #3972379...Dayco #5080895)

A/C Belt

S/N 480-791, 795-802, 804-813**1490-5216** (Gates #9395.....Dayco #17395)

S/N 792-794, 803 1001-1006**1490-7106** (Gates #9455.....Dayco #17455)

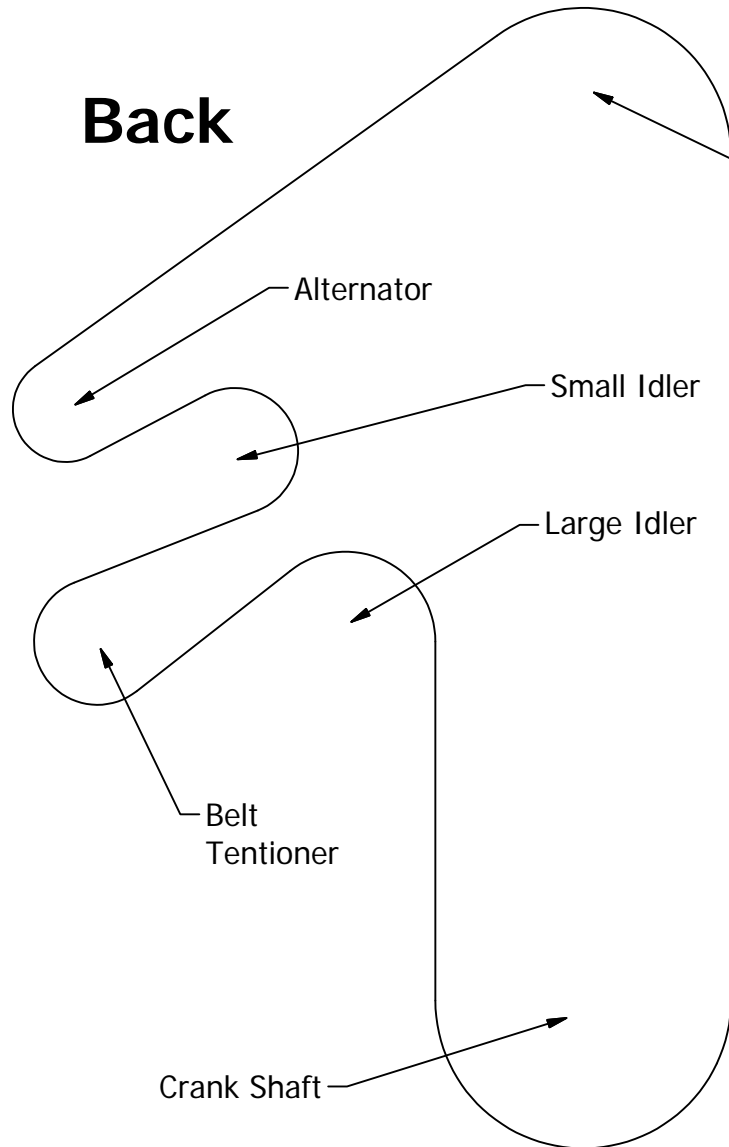
[Belt
Routing](#)

[More Information](#)

[Fluid
Index](#)

Cummins 8.3L Serpentine Belt Route

(All Models)



Serpentine Belt

S/N	Cummins	Dayco	Stinger	NAPA
230-309	3926861	5080725	1490-5215	25-080726
310-332	3289686	5080765	1490-4641	25-080765
333	3972262	5080770	1490-4645	25-080774
334-340	3289686	5080765	1490-4641	25-080765
341-392	3972262	5080770	1490-4645	25-080774
393-479	3972379	5080895	1490-5672	25-080893
480-later	3974248	5080925	1490-5985	25-080922

A/C Belt

S/N	Gates	Dayco	Stinger
230-309	9395	17395	1490-5216
310-479	9412	17410	1490-5212
480-Later	9395	17395	1490-5216

T. E. S. 295 Approved Transmission Oils

[Back](#)

[Home](#)

Marketer	Brandname
Castrol	Transynd
BP Lube	Autran Syn 295
Cognis	Emgard 2805
International	Fleetrite Synthetic ATF
ExxonMobile	Delvac Sybthetic ATF
John Deere	HD SynTran
Volvo	Bulldog Synthetic ATF

Belts & Filters

[Back](#)

[Filters](#)

[Home](#)

- Engine Oil Filter.....1490-5208** (Fleetguard #LF9009...Donaldson #P553000)
- Fuel Filters.....1490-5670** (Fleetguard #FF5580...Donaldson #P550774)
-**1490-5799** (Fleetguard #LS19732...Donaldson #P550848)
- Transmission Filter.....1490-4598** (Allison #29548988...Donaldson #P560971)
- Engine Air Filter.....1490-6195** (Parker #500375001)
-**1490-6196** (Parker #500443001)
- Hydraulic Oil Filter.....1490-5214** (Donaldson #P16-5878)
- Power Steering Filter.....1490-5469** (Nelson #83804E...Donaldson #P550637)
- A/C Filters**
- Fresh air Filter (Outside).....1490-6328** (Aurora # 436-440-0255)
- Recirculate Filter (Inside).....1490-6329** (Aurora # 436-440-0008)

Belts

Serpentine (Fan Belt)

- S/N 480-791, 795-802, 804-813, A1000.....1490-5985** (Cummins #3974248...Dayco #5080925)
- S/N 792-794, 803, 1001-1006.....1490-5672** (Cummins #3972379...Dayco #5080895)

A/C Belt

- S/N 480-791, 795-802, 804-8131490-5216** (Gates #9395.....Dayco #17395)
- S/N 792-794, 803 1001-10061490-7106** (Gates #9455.....Dayco #17455)

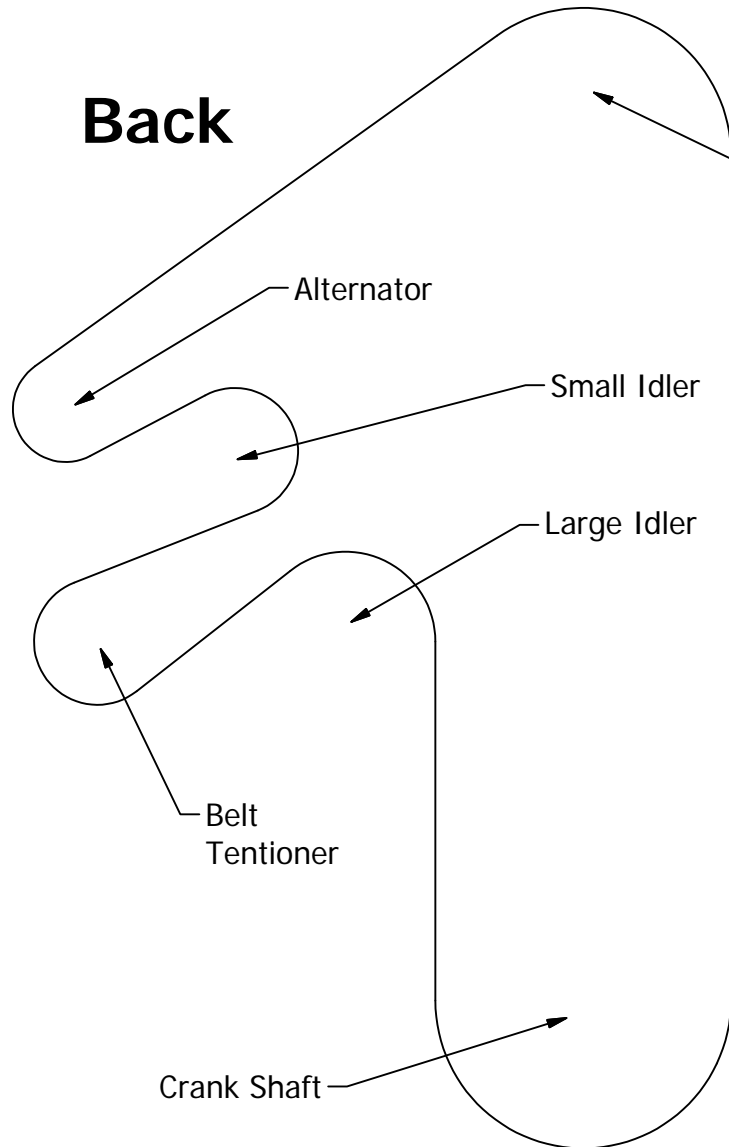
[Belt
Routing](#)

[More Information](#)

[Fluid
Index](#)

Cummins 8.3L Serpentine Belt Route

(All Models)



Serpentine Belt

S/N	Cummins	Dayco	Stinger	NAPA
230-309	3926861	5080725	1490-5215	25-080726
310-332	3289686	5080765	1490-4641	25-080765
333	3972262	5080770	1490-4645	25-080774
334-340	3289686	5080765	1490-4641	25-080765
341-392	3972262	5080770	1490-4645	25-080774
393-479	3972379	5080895	1490-5672	25-080893
480-later	3974248	5080925	1490-5985	25-080922

A/C Belt

S/N	Gates	Dayco	Stinger
230-309	9395	17395	1490-5216
310-479	9412	17410	1490-5212
480-Later	9395	17395	1490-5216

**Rear Cylinder
Index**

Back

Home

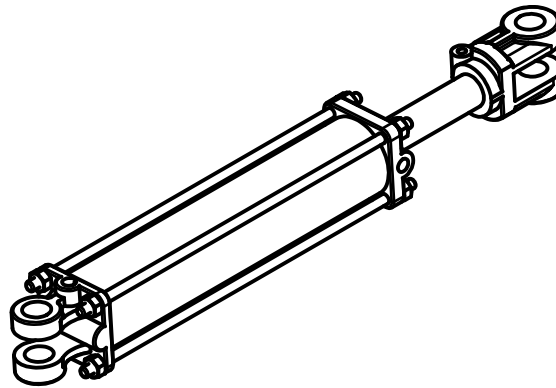
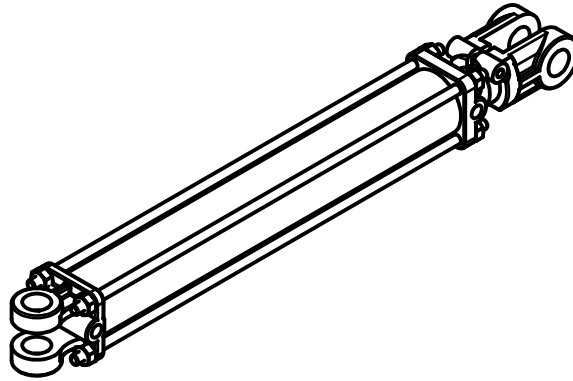
Hoist

Tailgate

Stackdown

**Squeeze
Rail**

Bale Stop

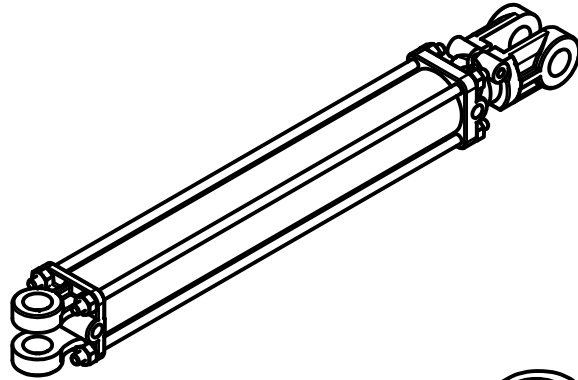


Front Cylinder Index

Back

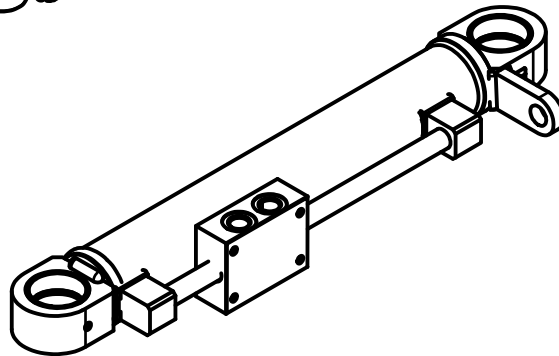
Home

Front Sqz



1/4 Turn

Front Tilt W/Sensor



Front Lift W/Sensor

Front Tilt

Front Lift

CCC LE Hayloader Chassis

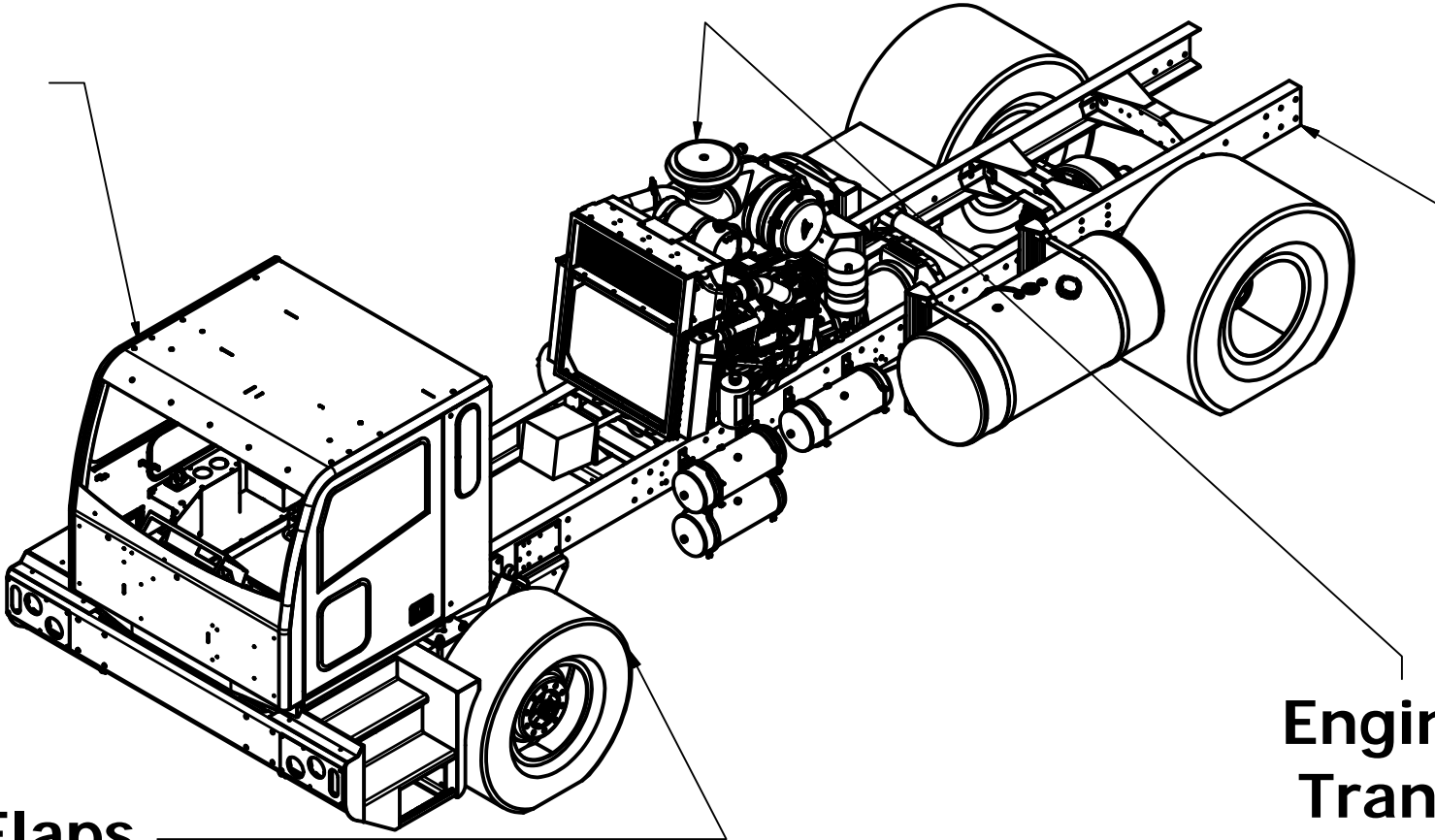
Back

Home

Cab

Fenders

Chassis



Engine, Pump
Transmission

Mud Flaps

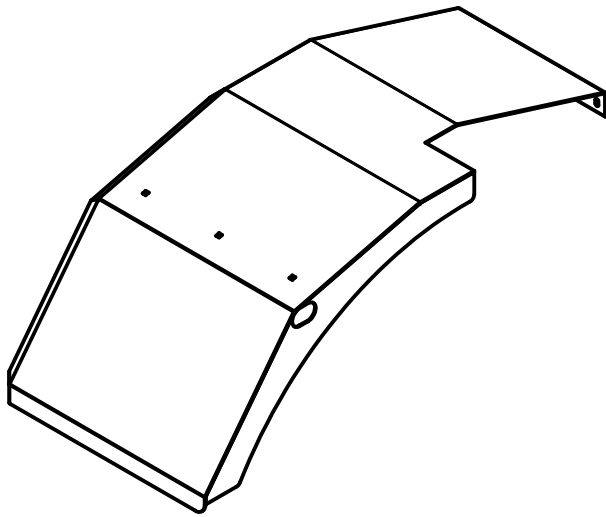
Front & Rear Fenders S/N 695 & Newer

Back

Home

LH Front Fender 2014A1

(LH shown: RH 2014A2)

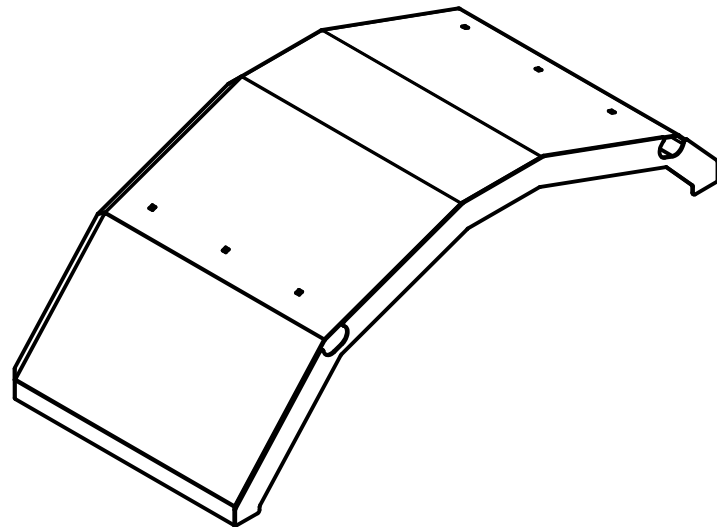


Front Fender Mount

2014A5 LH : 2014A6 RH

LH Rear Fender 201, A'

(LH shown: RH 201, A())



Rear Fender Mount

2014A+ @ 'fF < : fcbH: 2014A8 R< 'f@ < : fcbH

Round Fenders

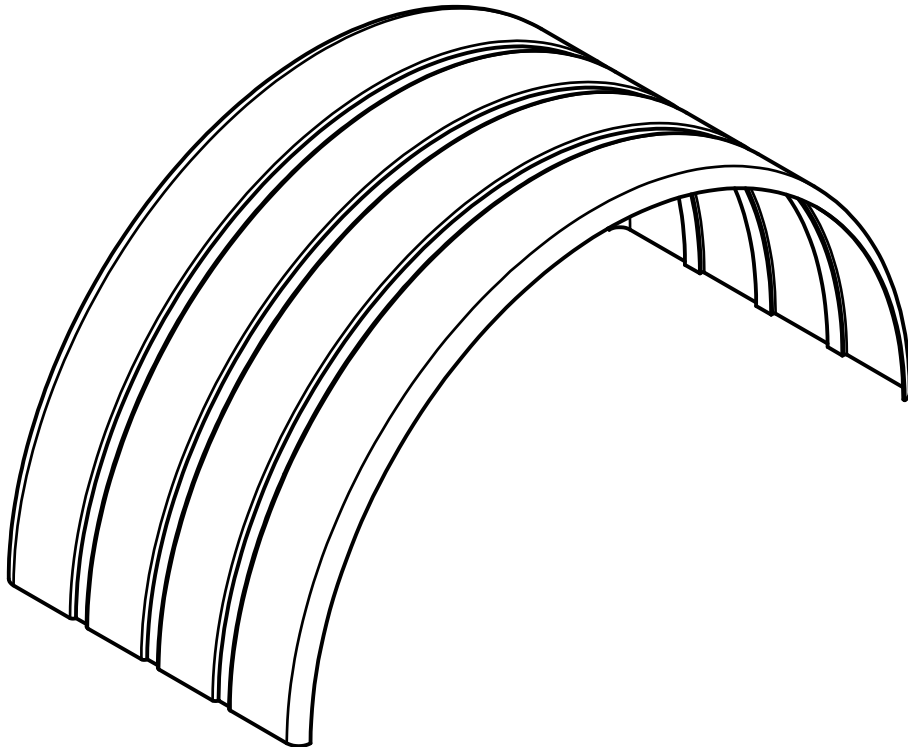
(Prior to S/N 695)

**Stainless Steel Round Fenders
(S/N 694 and Older)**

Back

1490-2221

Home



**29" Front Fender Pipe 2450-275
28" Rear Fender Pipe 2450-276**

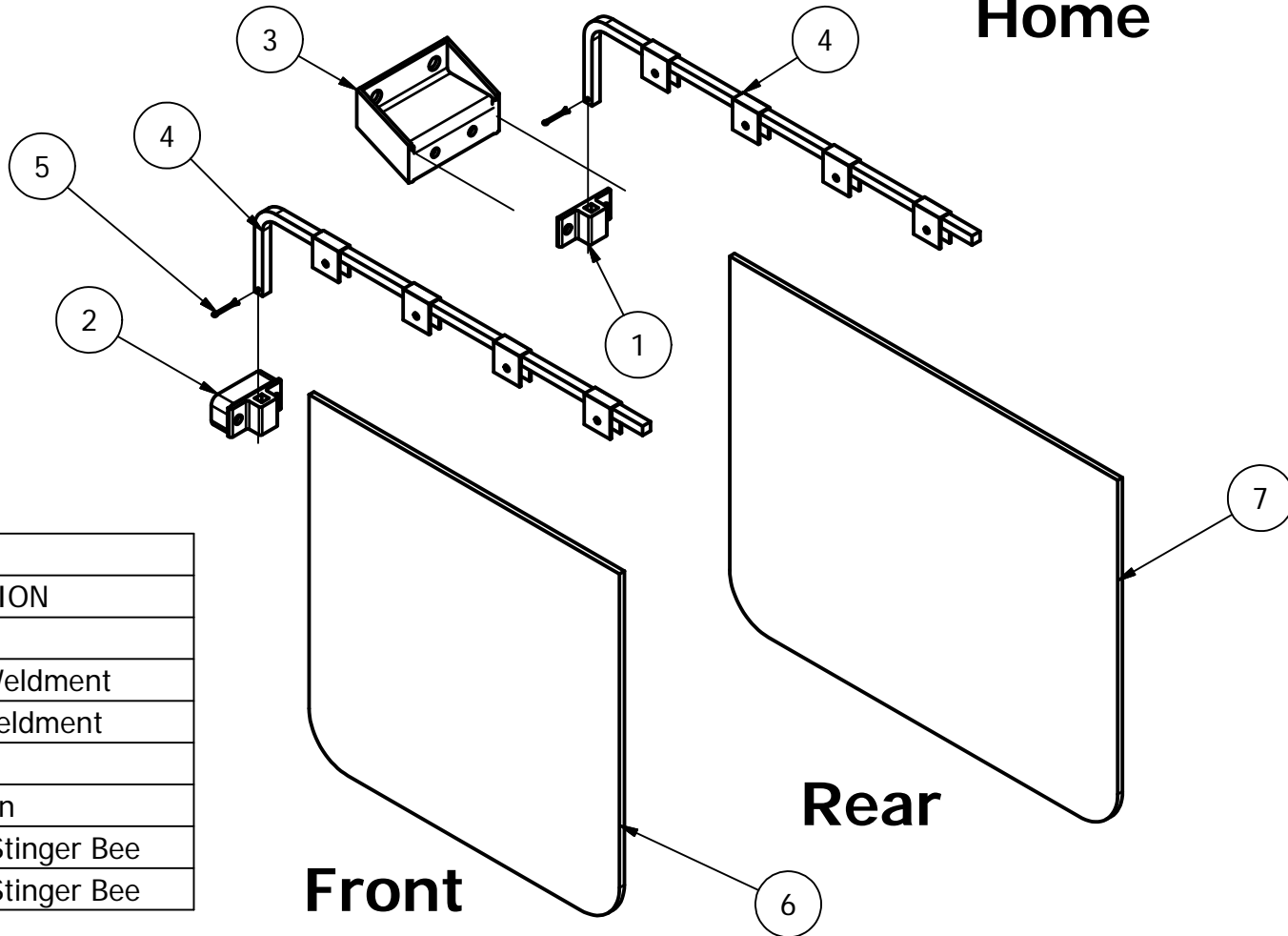
Pipe Clamp Kit 1490-2326
(Bag of 4 clamps does 1 fender)

Fender Pipe End Cap 1490-4000

Mud Flap Detail

Back

Home



PARTS LIST			
ITEM	QTY	PART NUMBER	DESCRIPTION
1	1	14905045	Mud Flap Bracket
2	1	2006A2	Front Mudflap Ext. Weldment
3	1	2000A8	Rear Mudflap Ext. Weldment
4	2	1490-5088	Mudflap Arm
5	2	Cotter Pin	1/8 X 1-3/8 Cotter Pin
6	1	1490-4514	24 X 24 Mudflap W/Stinger Bee
7	1	1490-2310	24 X 30 Mudflap W/Stinger Bee

2014 Chassis Detail

Back

Home

Front Axle

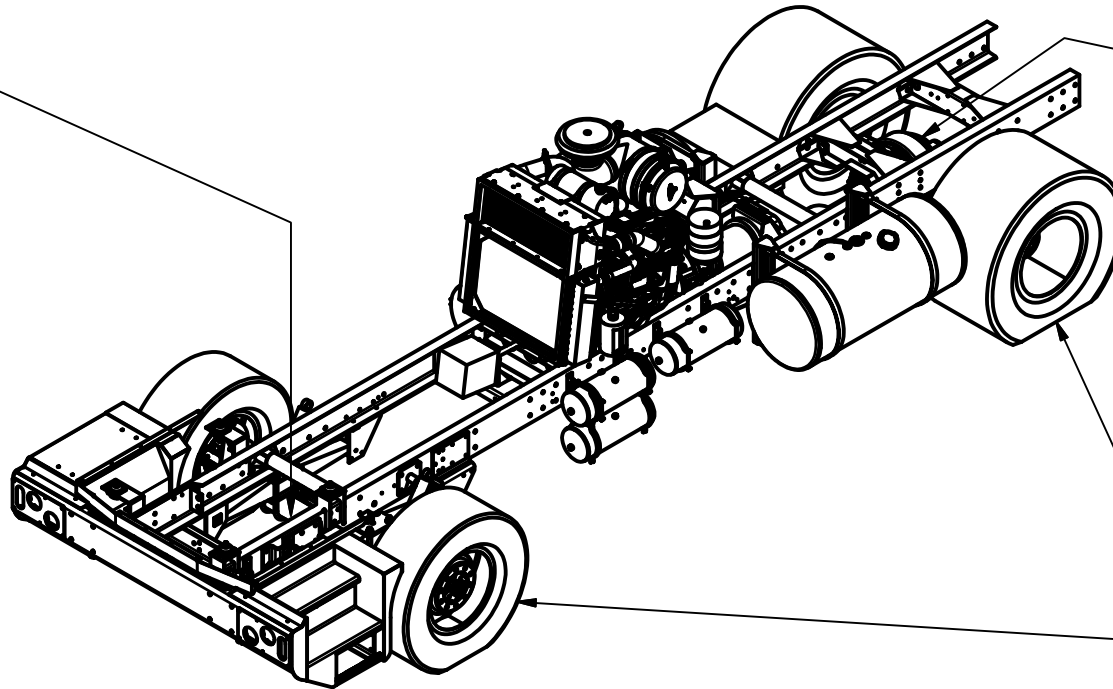
Rear Axle

Poly Wear
Pad Kits

Brake
Shoes

Leaf
Springs

Wheels &
Tires



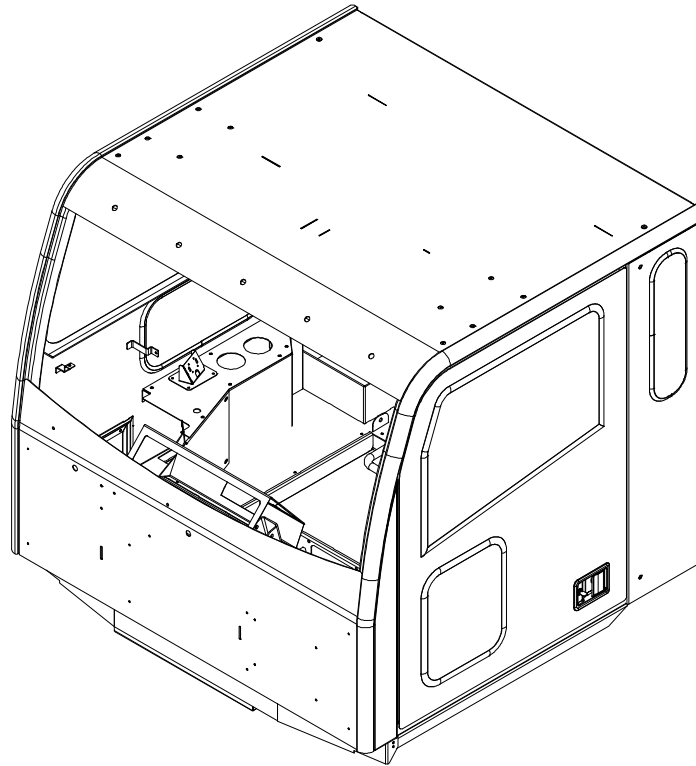
2014 Cab Elements

Back

Home

Joystick

Glass



Heating & A/C

Seat

**Trans
Shifter**

Monitor

Engine & Transmission & Pump Components

Back

Home

Electrical

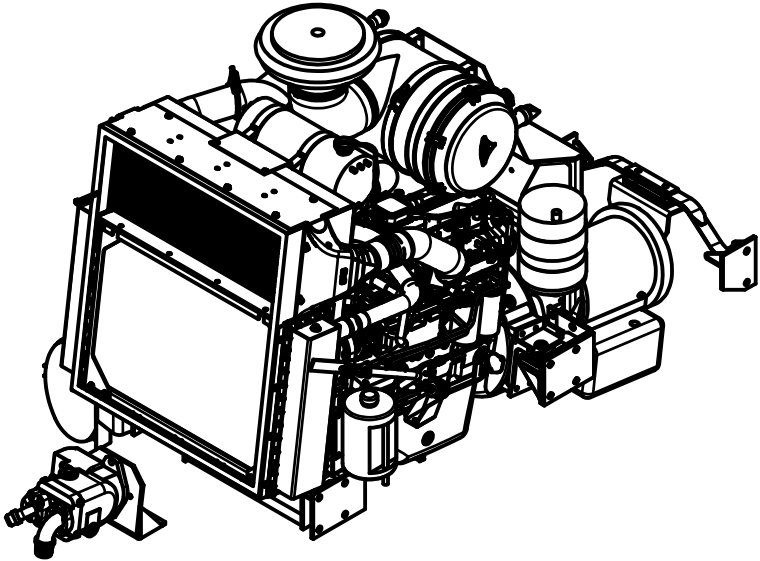
Transmission

Filters

**Cooling
System**

Exhaust

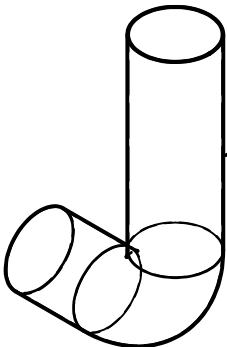
**Hydraulic
Pump**



Engine Exhaust

[Back](#)

[Home](#)



Turbo Exhaust Elbow Part #1490-6233



Exhaust V-Band Clamp Part #1490-5982



Turbo Exhaust Adapter Part #1490-6140

Engine Electrical

[Back](#)

[Home](#)

150 Amp Buzzanator Part #1490-4040

Main Disconnect Switch Part #1490-4911

Batteries are Group 31 (995 Cold Cranking Amps)



Engine Cooling System

[Back](#)

[Home](#)

Recovery Tank (Plastic Tank Only no Sight Tube) **Part #1490-4626**

Recovery Tank Assy (Tank W/Mounts & Sight Tube) **Part #1490-4562**

Cap for the Recovery Tank **Part #1490-4626**

Sight Glass for the Surge Tank (Metal Tank) **Part #1490-5393**

Coolant should be replaced every 2000 hrs with a 50/50 mixture (50qts)

Transmission Components

[Back](#)

[Home](#)

Transmission is an Allison RDS 3000 6-speed

6-Speed Gen. 4 Shifter Part #1490-5295

(S/N 393 thru 759, No Pigtail)

6-Speed Gen. 5 Shifter Part #1490-6422

(S/N 760 on, No Pigtail, No Detent Spring)

Detent Spring for Shifter

Part #1490-5332

(Used on Gen 3 & Gen 4 Shifters)

**Joystick
Control**

Hydraulic Pump Components

[Back](#)

[Home](#)

[PVG 100 Pump Part #1490-4132](#)

[Pump Seal Kit Part #1490-5480](#)

[Pump Drive Shaft Part #1490-5532](#)

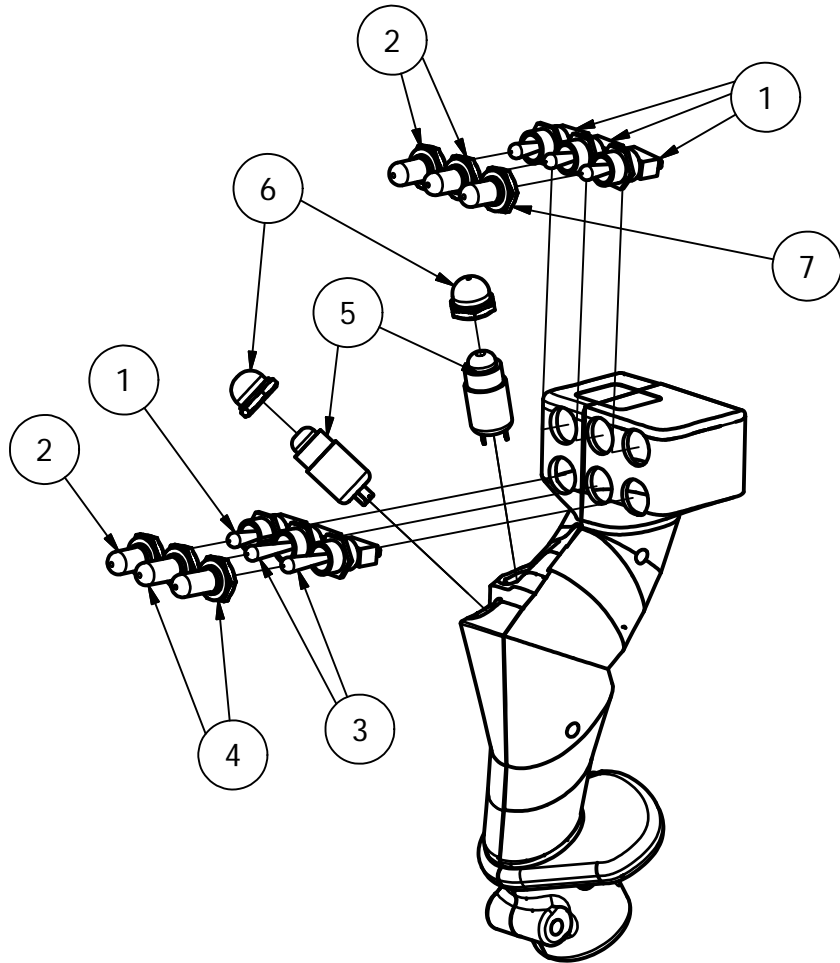
[1350 Pump Drive U-Joint Part #1490-5326](#)

[1350 Pump Drive Engine Flange Yoke Part #1490-6390](#)

Joystick Controller Part # 1490-4802 Complete

Back

Home



PARTS LIST			
ITEM	QTY	PART NUMBER	DESCRIPTION
1	4	1490-3452	Short Toggle Switch W/Leads
2	3	1490-2062	Short Toggle Boot Black
3	2	1490-1196	Tall Toggle Switch W/Leads
4	2	1490-2060	Tall Toggle Boot Black
5	2	1490-4491	Push Button Switch w/leads & Boot
6	2	1490-2061	Red Pushbutton Boot
7	1	1490-5270	Short Toggle Boot White

Seat Components

Back

**Standard SST Hi-Back Seat
W/ TLV Air Suspension
Part # 1490-5880**

Home

**Adjustable Shock W/Control
Cable
Part # 1490-5949**

**Non-adjustable Shock
W/Bushings
Part # 1490-5948**

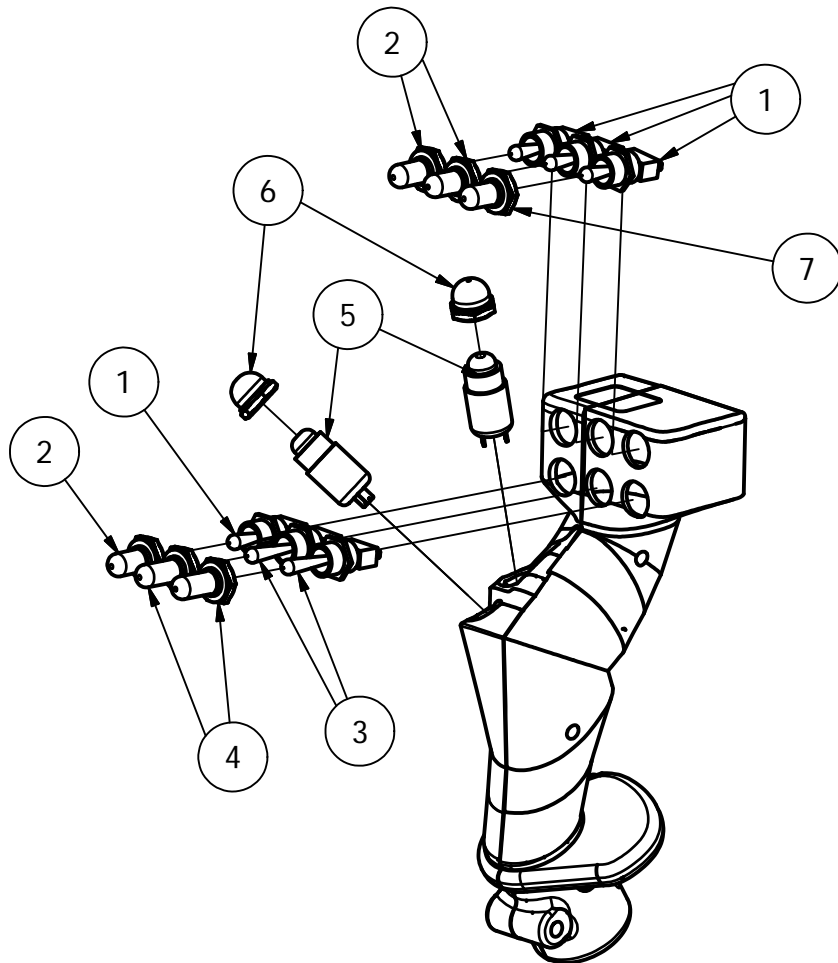
**Seat Air Pump W/Brass Fittings
Part # 1490-5991**

**Non-adjustable Shock Only
Part # 1490-5852**

Joystick Controller Part # 1490-4802 Complete

Back

Home



PARTS LIST			
ITEM	QTY	PART NUMBER	DESCRIPTION
1	4	1490-3452	Short Toggle Switch W/Leads
2	3	1490-2062	Short Toggle Boot Black
3	2	1490-1196	Tall Toggle Switch W/Leads
4	2	1490-2060	Tall Toggle Boot Black
5	2	1490-4491	Push Button Switch w/leads & Boot
6	2	1490-2061	Red Pushbutton Boot
7	1	1490-5270	Short Toggle Boot White

Stinger 6500 Stacker

(Unit Assembly)

Back

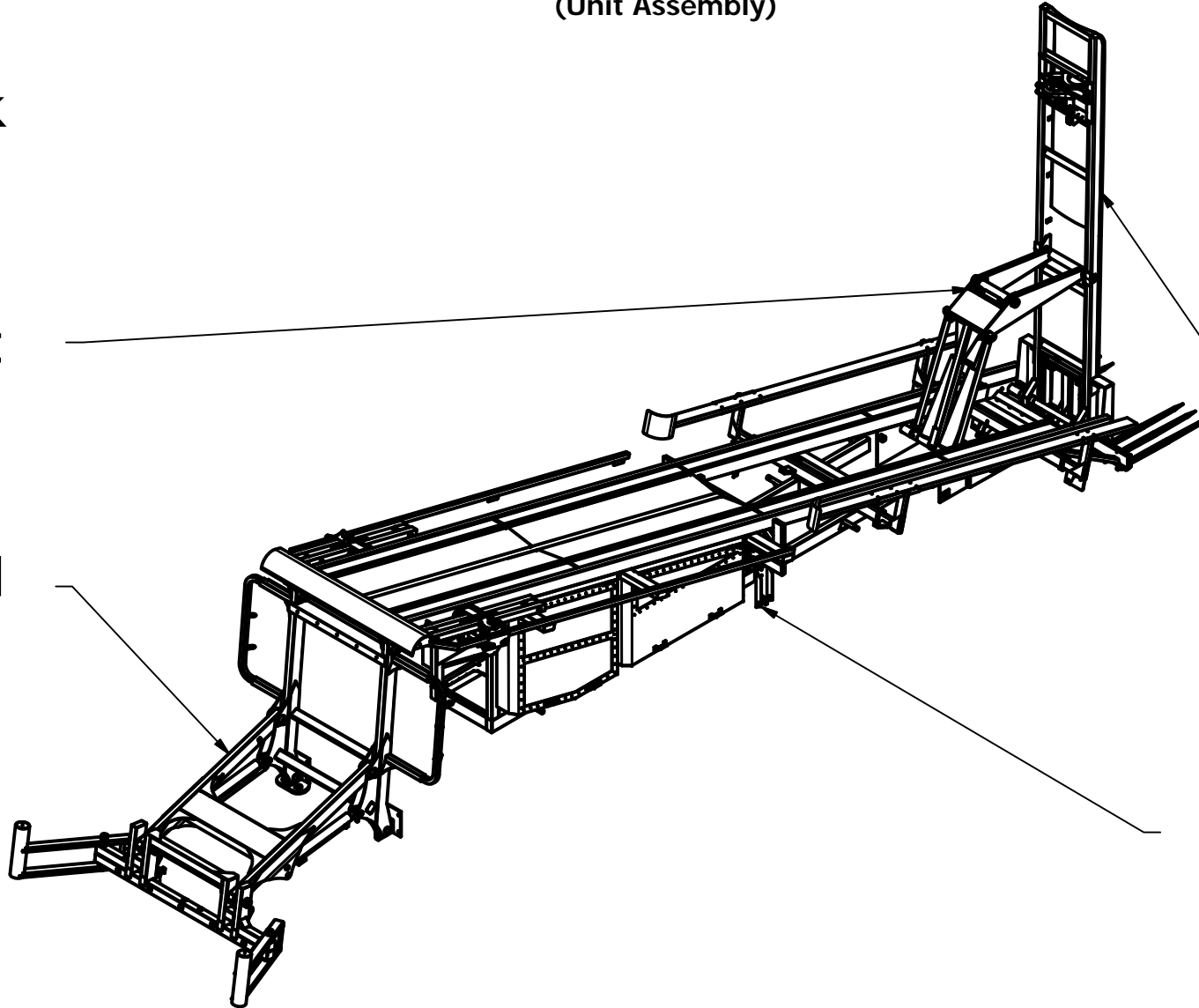
Home

Hoist

Stack
Frame

Front End

Main Slide



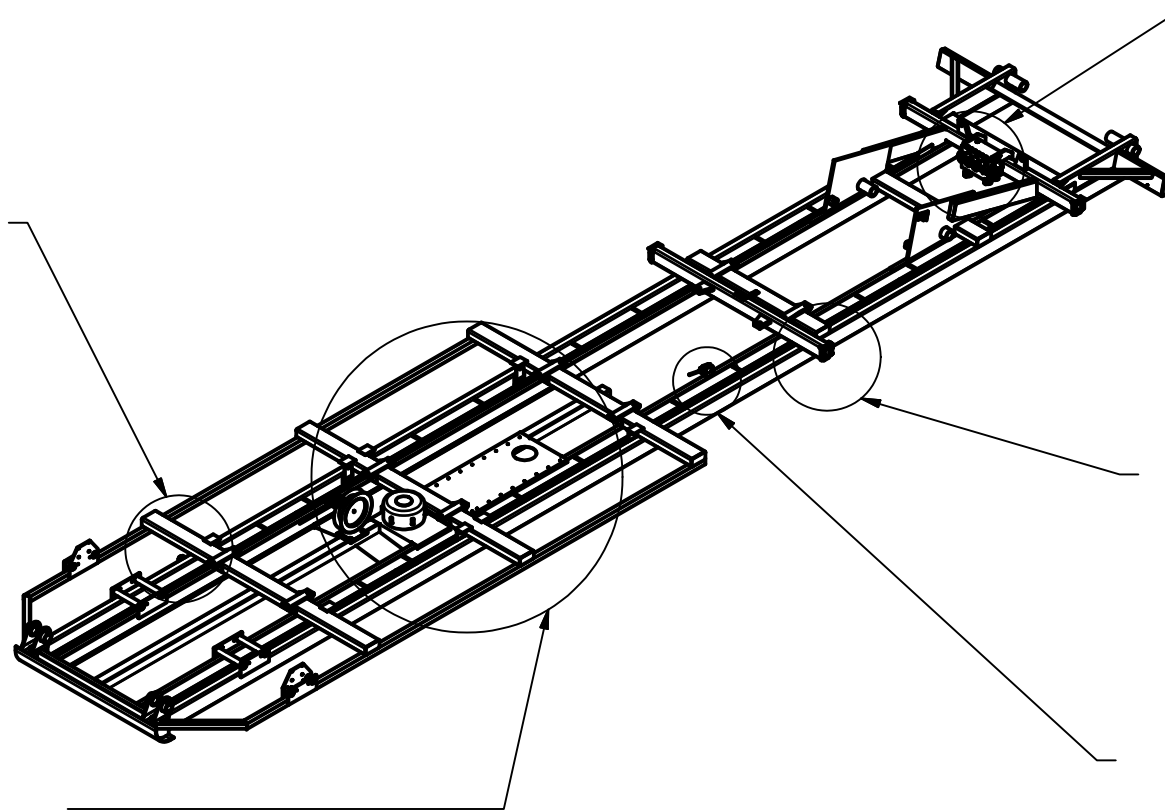
Main Slide Detail

Back

Home

1/4 Turn
Micro-Switch

Rear Control
Valve



Squeeze
Rail Poly

Air Chamber
Detail

StackFrame
Micro-Switch

Main Slide Assembly

(Stacking Unit)

Back

Home

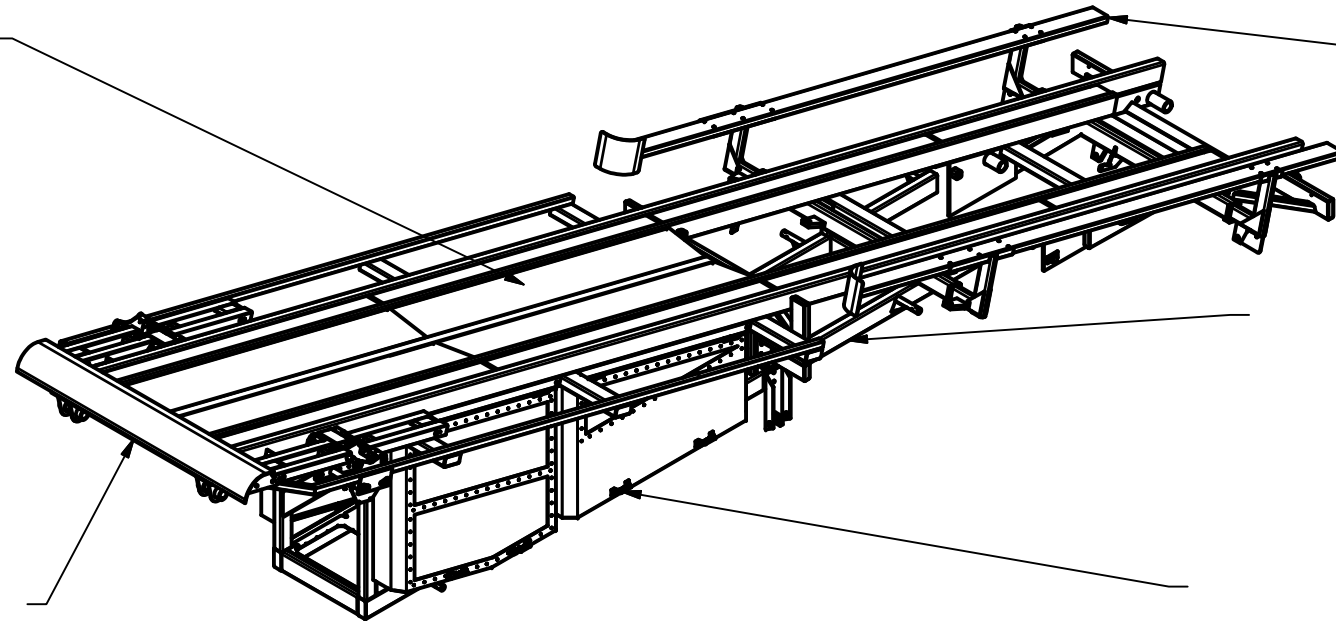
Main Slide

Squeeze
Rails

Subframes

1/4 Turn

Doors



Squeeze Frontend

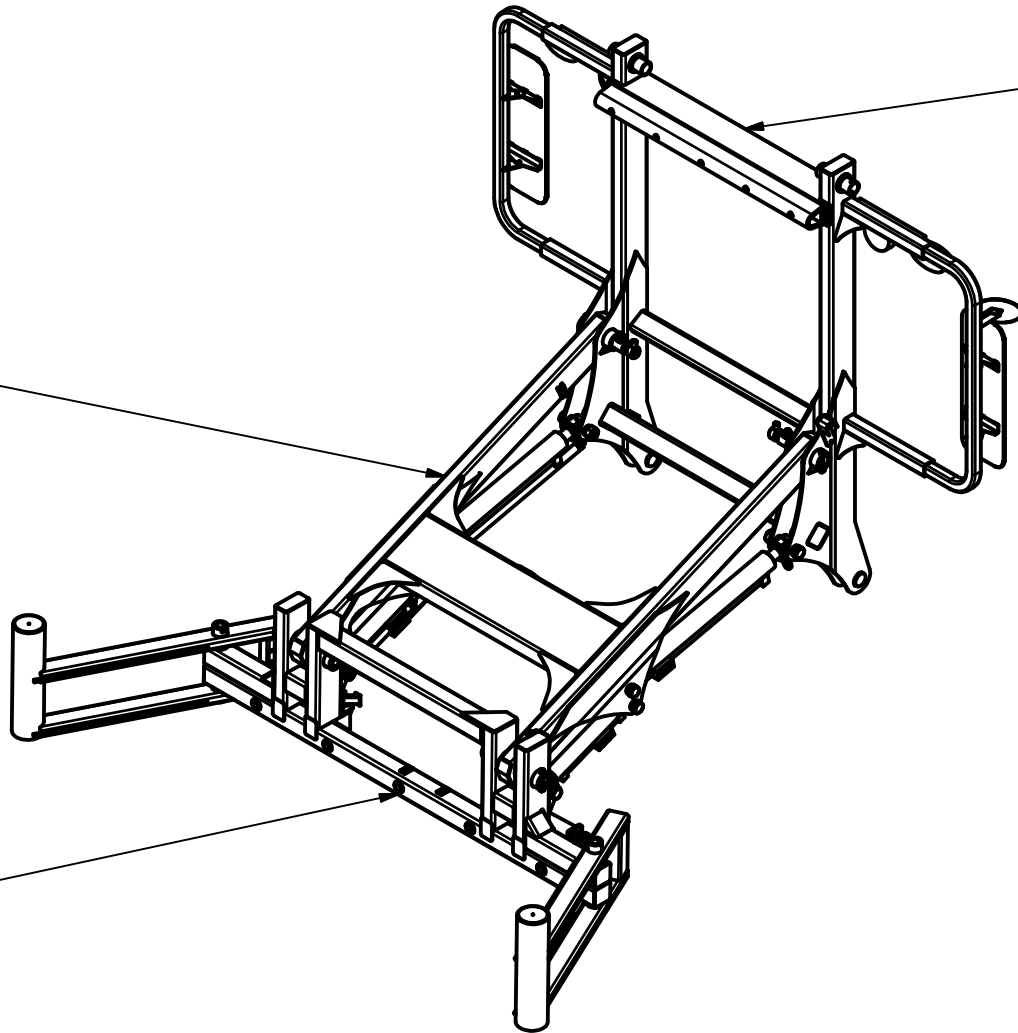
Back

Home

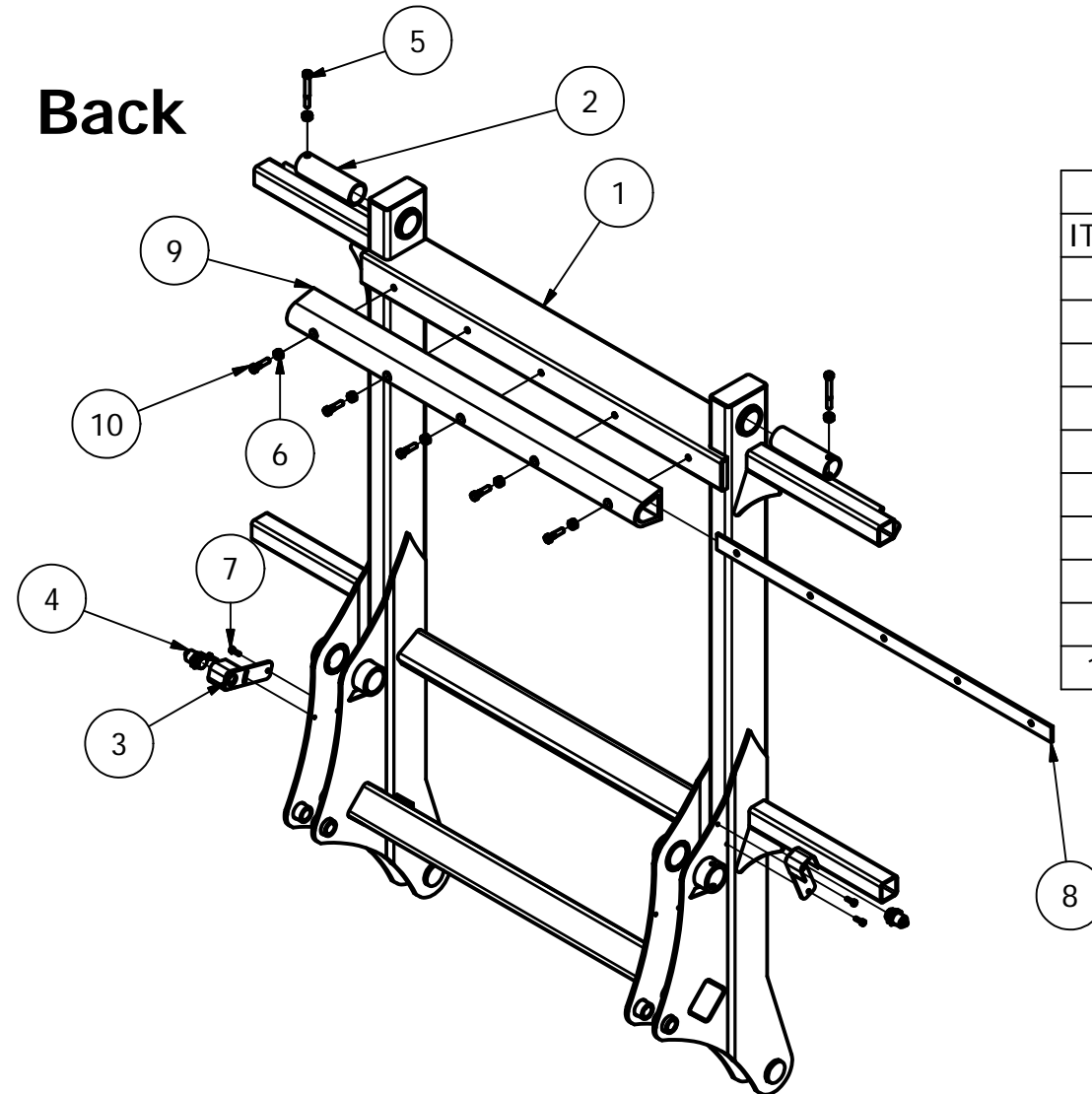
Lift Arm

Lift Frame

Tilt Frame



Lift Frame Assy



Home

PARTS LIST			
ITEM	QTY	PART NUMBER	DESCRIPTION
1	1	5540A	Front Lift Frame
2	2	5540-118	Lift Frame Upper Pivot Shaft
3	2	1400-122	Shielded Prox Switch Mount
4	2	1490-5667	Prox Switch W/QD at switch
5	2	1/2-13 X 4	Hex Bolt
6	7	1/2-13 Nut	Hex Nut
7	4	5/16-18 X 1	Hex Bolt
8	1	5540-109	Rubber Bumper Strap
9	1	1490-5338	Rubber Bumper
10	5	1/2-13 X 2	Hex Bolt

Prox Wire 1490-5668

Lift Frame Assy

Back

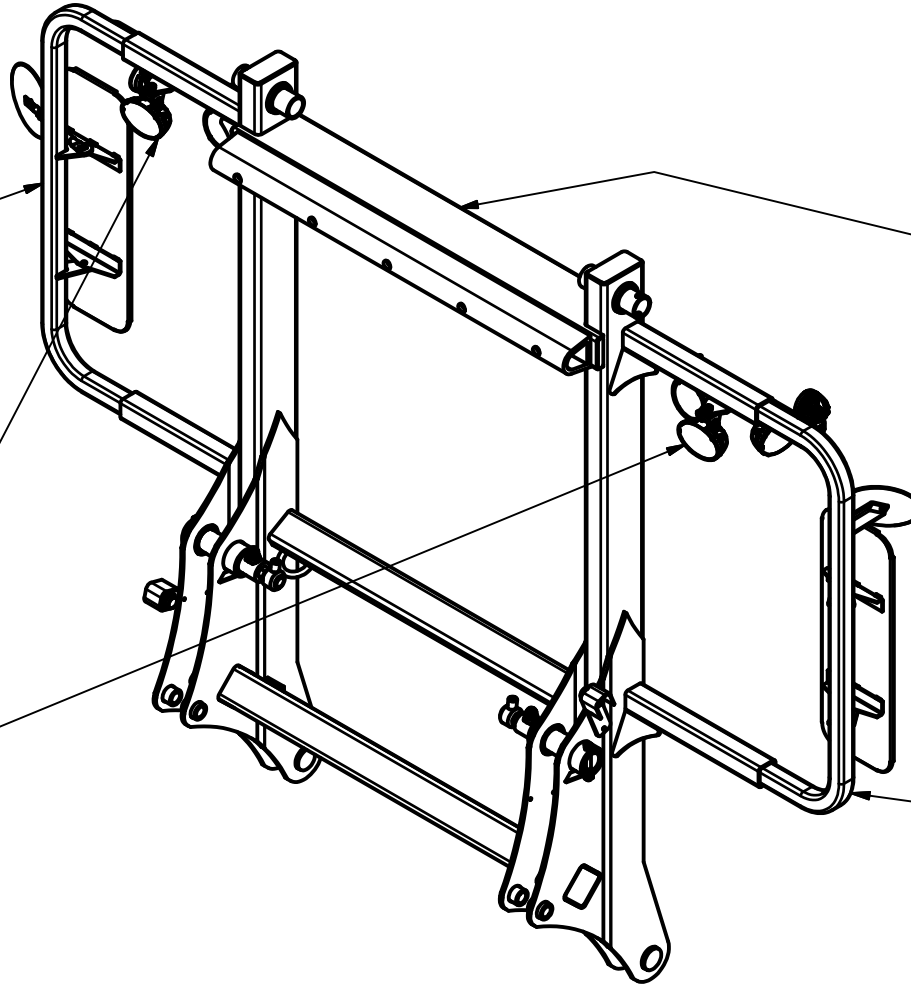
Home

RH Mirror

Lift Frame

Lights

LH Mirror



Lift Arm Assy

Back

Home

Lift Cyl.
W/ Sensor

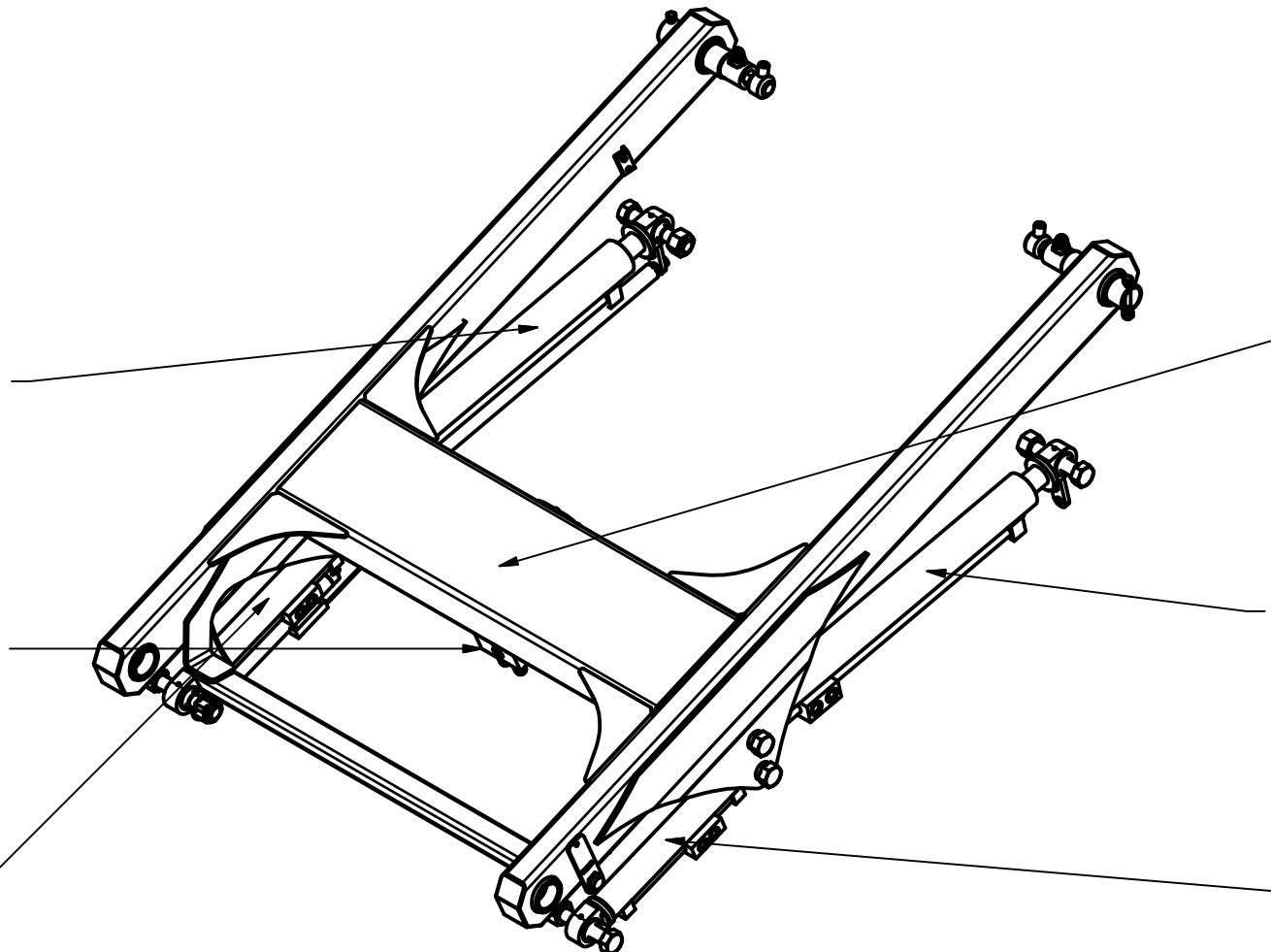
Lift Arm

Hyd. Valve
Block

Lift Cyl.

Tilt Cyl
W/Sensor

Tilt Cyl.



Squeeze Tilt Frame Assy

Back

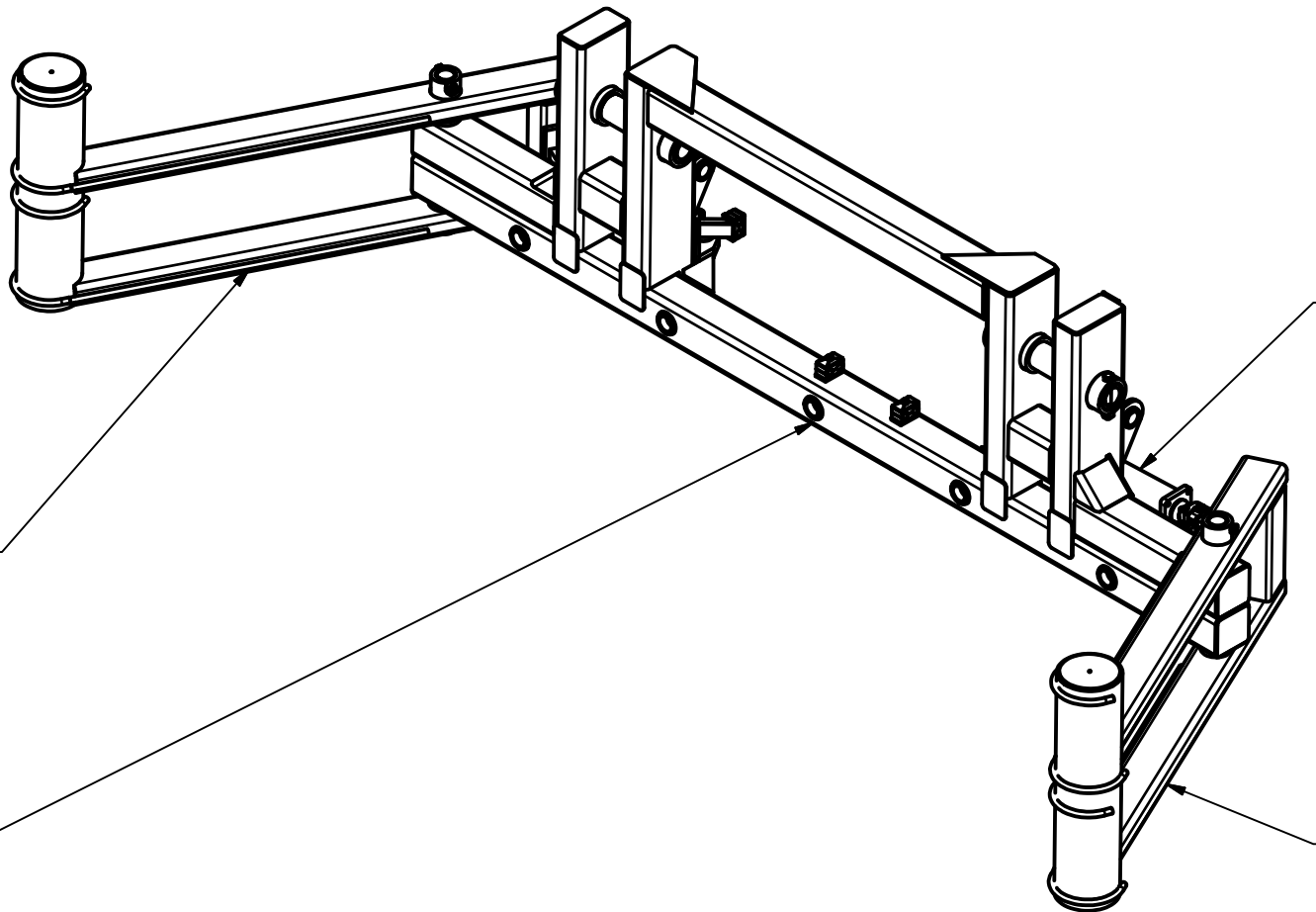
Home

Sqz. Cyl.

RH Sq Arm

Tilt Frame

LH Sq Arm



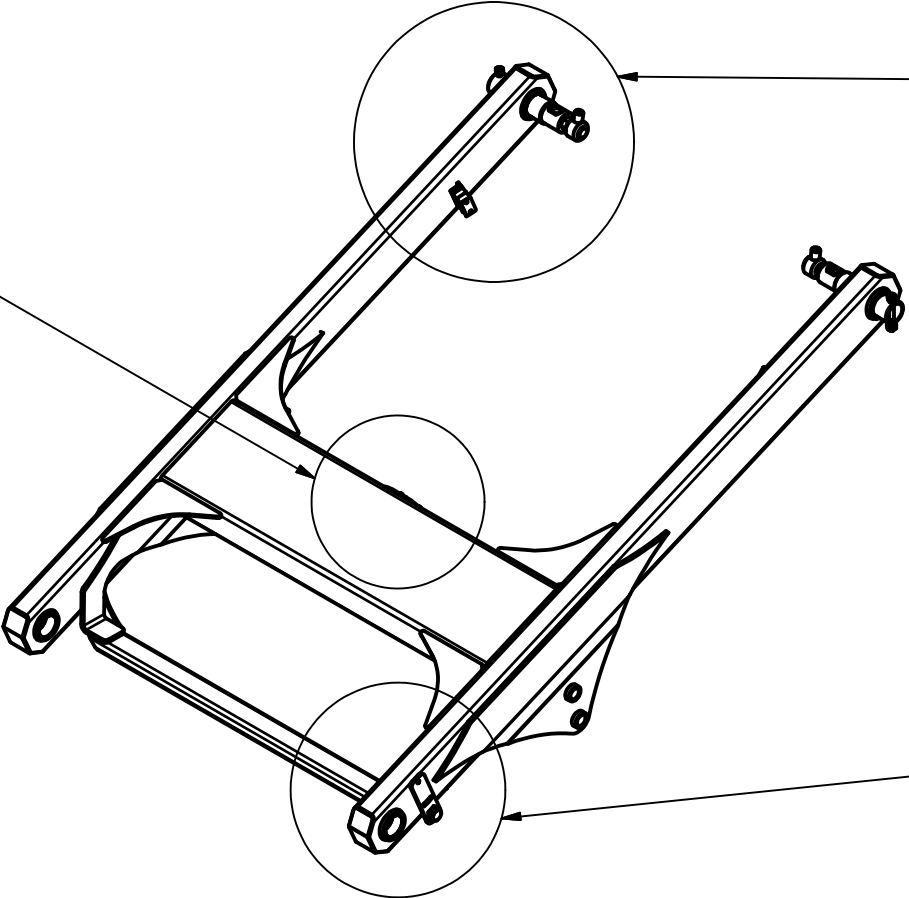
Lift Arm

Back

Home

Detail C

Detail A

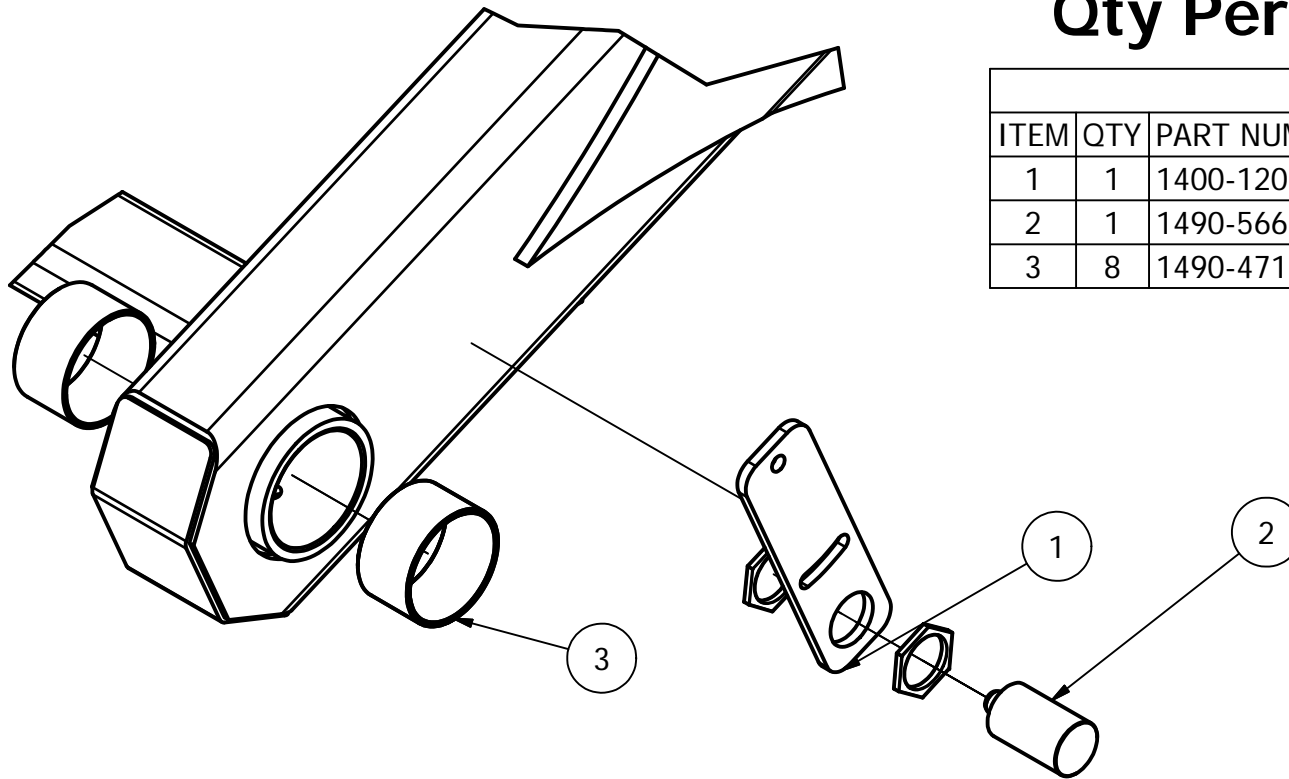


Detail B

Lift Arm Detail B

Back

Home



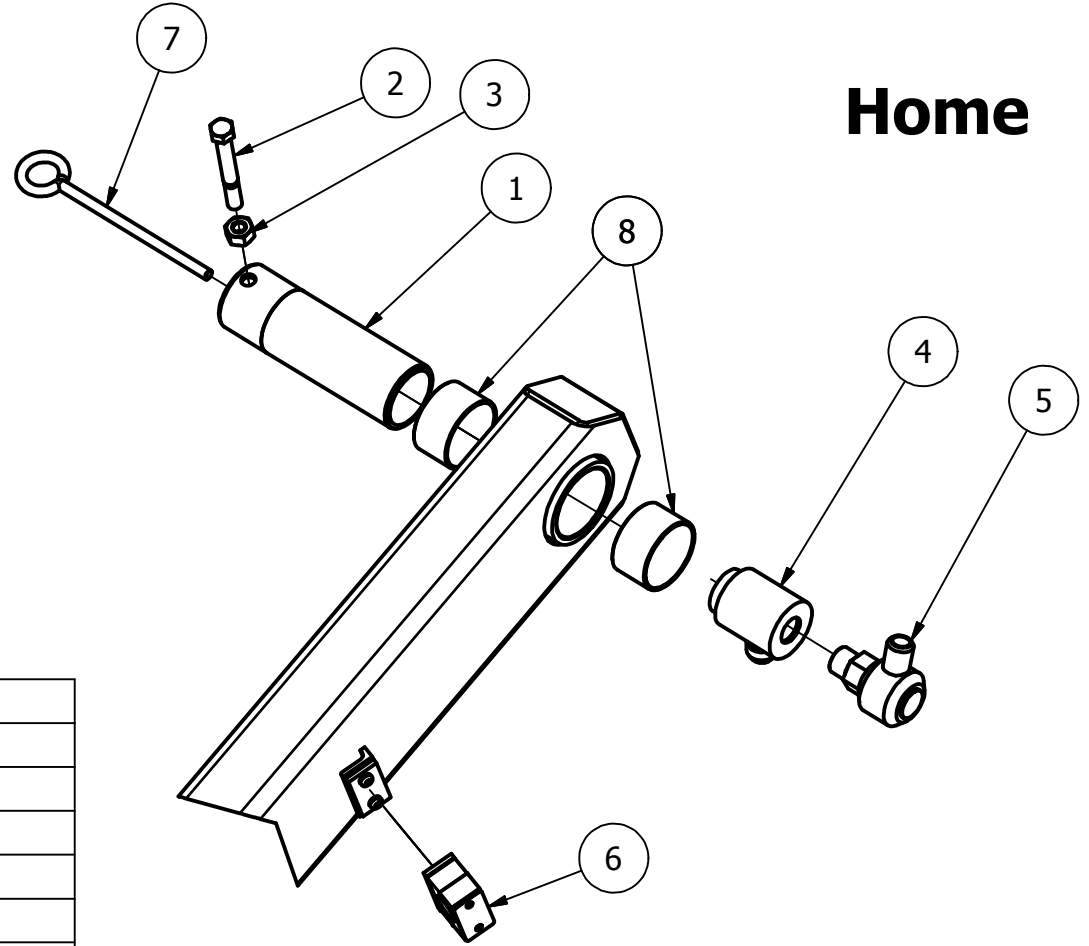
Qty Per Lift Arm Assy

PARTS LIST			
ITEM	QTY	PART NUMBER	DESCRIPTION
1	1	1400-120	Prox Switch Mount
2	1	1490-5667	Prox Switch W/QD at switch
3	8	1490-4716	Wear Bushing

Lift Arm Detail A

Back

Home



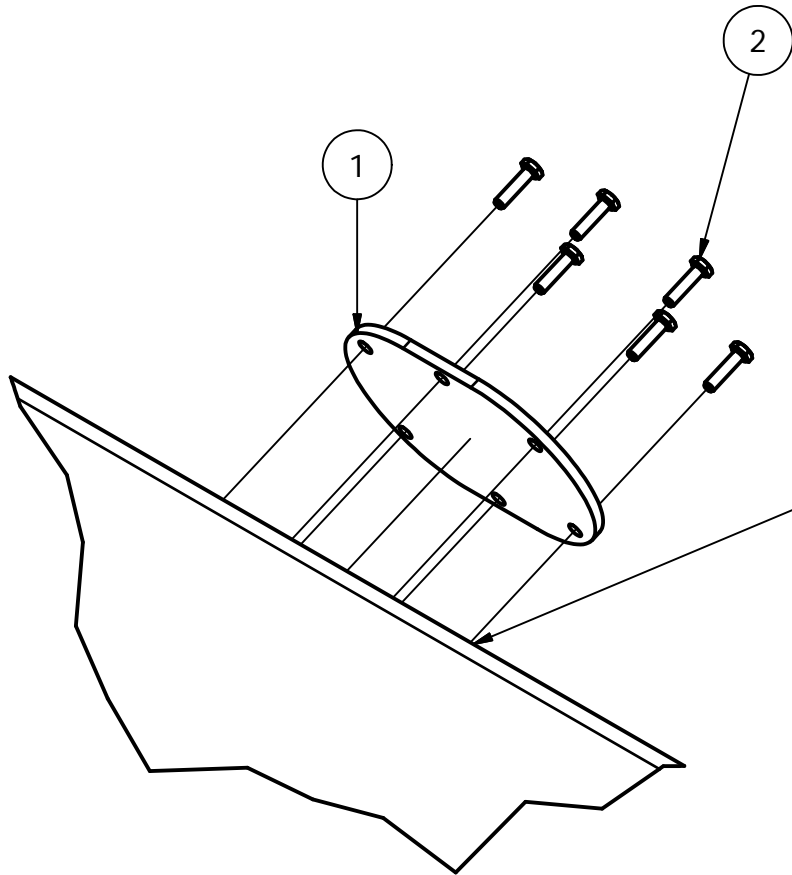
Qty Per Lift Arm Assy

PARTS LIST			
ITEM	QTY	PART NUMBER	DESCRIPTION
1	2	5540-111	Main Pivot Shaft
2	2	1/2-13 X 4"	Bolt
3	2	1/2-13 Nut	Nut
4	2	1490-5879	High Pressure Swivel Mount
5	2	1490-5849	High Pressure Swivel
6	4	Kit-Sng-.75	3/4" Single Hose Clamp
7	2	Eye bolt	3/8 X 8 Eye bolt
8	8	1490-4716	Wear Bushing

Lift Arm Detail C

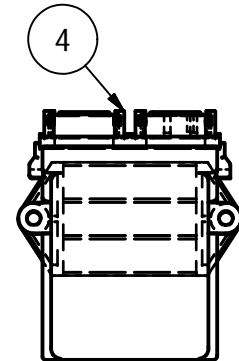
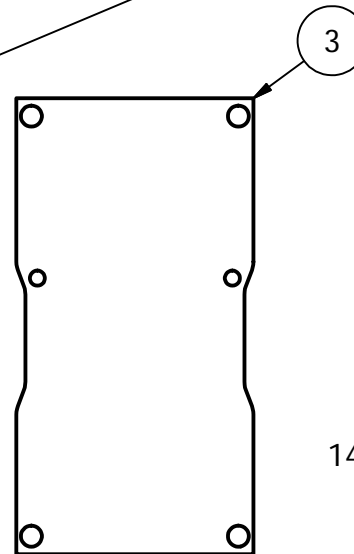
Back

Home



PARTS LIST			
ITEM	QTY	PART NUMBER	DESCRIPTION
1	1	5530-125	Lift Arm Crossmember Cover
2	6	1/4-20 X 1	1/4-20 X 1 Hex Head Bolt
3	1	5530-121	EVDR-6 Mounting Plate
4	1	1490-5861	EVDR-6 Controller
5	1	1490-5887	Frontend Wiring Harness

Inside the Crosstube

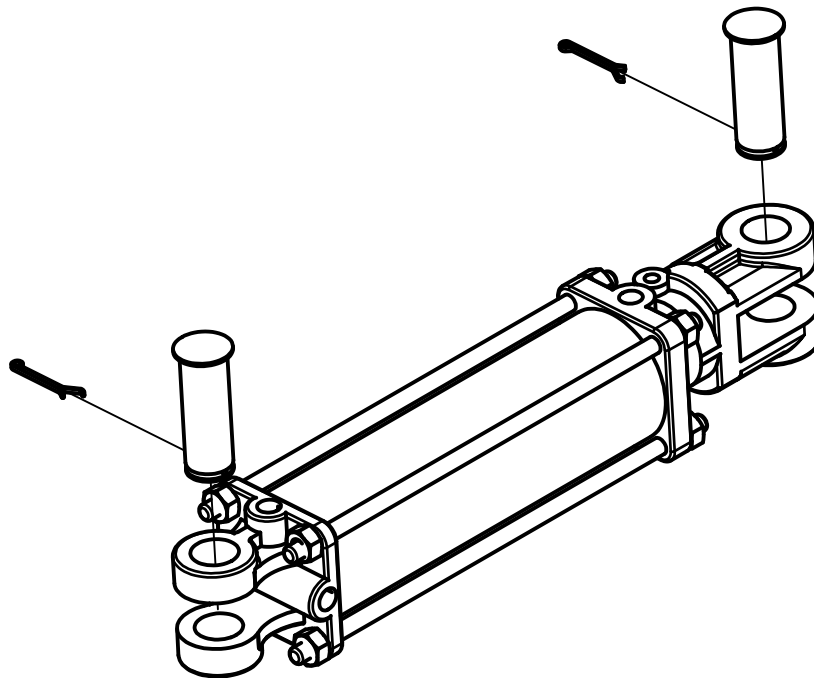


1490-5887 Front Wiring Harness includes Valve and Cylinder Sensor Wires

Tilt Squeeze Cylinder Assy

(2-1/2 X 6 X 1-1/8" Cylinder)

Back



Home

Cylinder Part Number

14905147

(Comes with both Cylinder pins)

Seal Kit Part Number

14901872

(2-1/2" bore, 6" Stroke, 1-1/8" Rod)

Rod End Clevis Part Number

14905958

(Hardened for 1" Cylinder pins 1-1/8" Thread)

Cylinder Pin Part Number

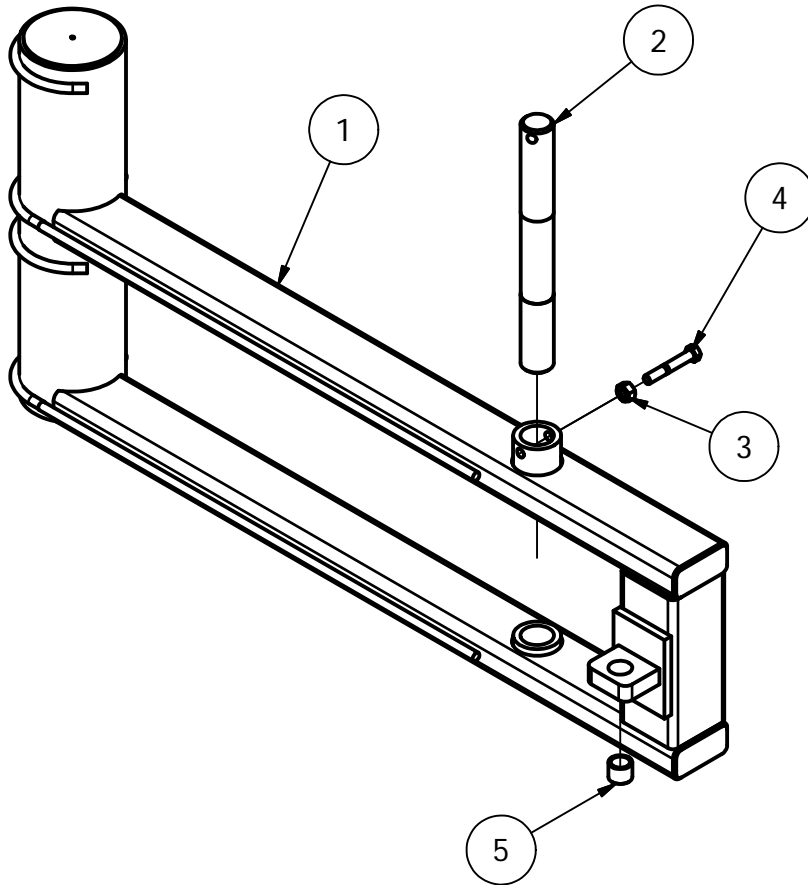
14904566

(1 X 2-3/4" W/Cotter pin)

RH Front Squeeze Arm Assy

Back

Home

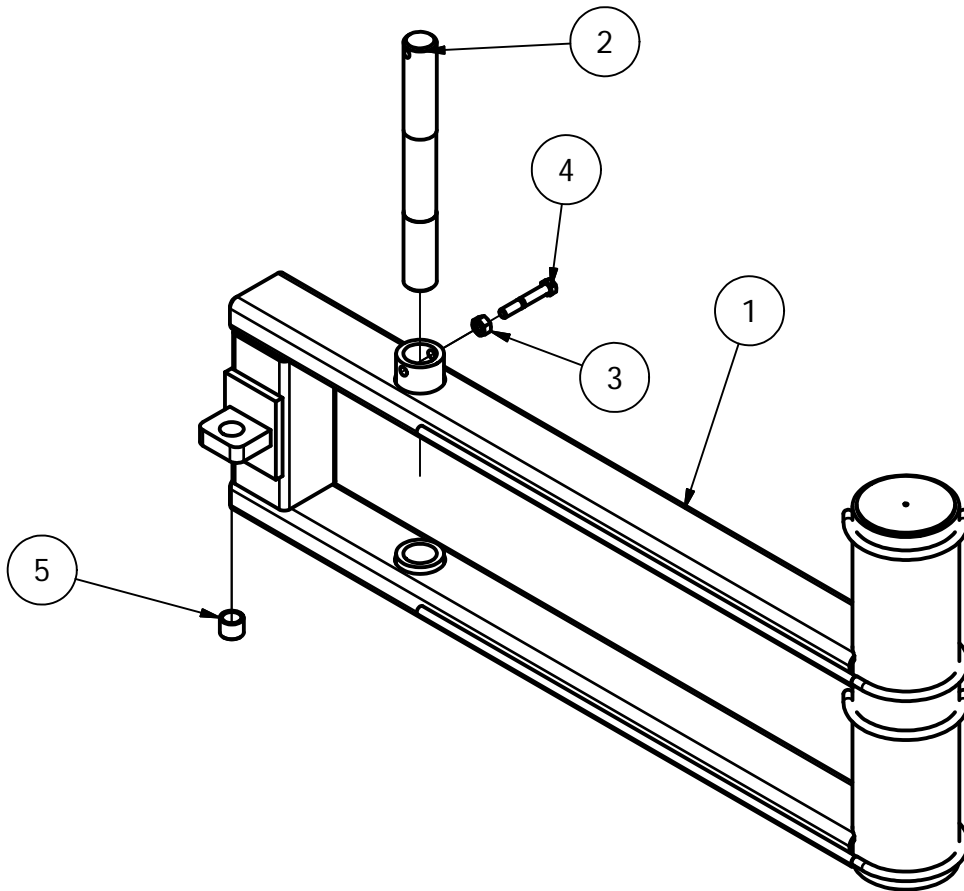


PARTS LIST			
ITEM	QTY	PART NUMBER	DESCRIPTION
1	1	1425A2R	RH Squeeze Arm
2	1	1420-305	Machined Shaft
3	1	1/2-13 Nut	Hex Nut
4	1	1/2-13 X 3-1/4 Bolt	Hex Bolt
5	1	14902030	Wear Bushing

LH Front Squeeze Arm Assy

Back

Home

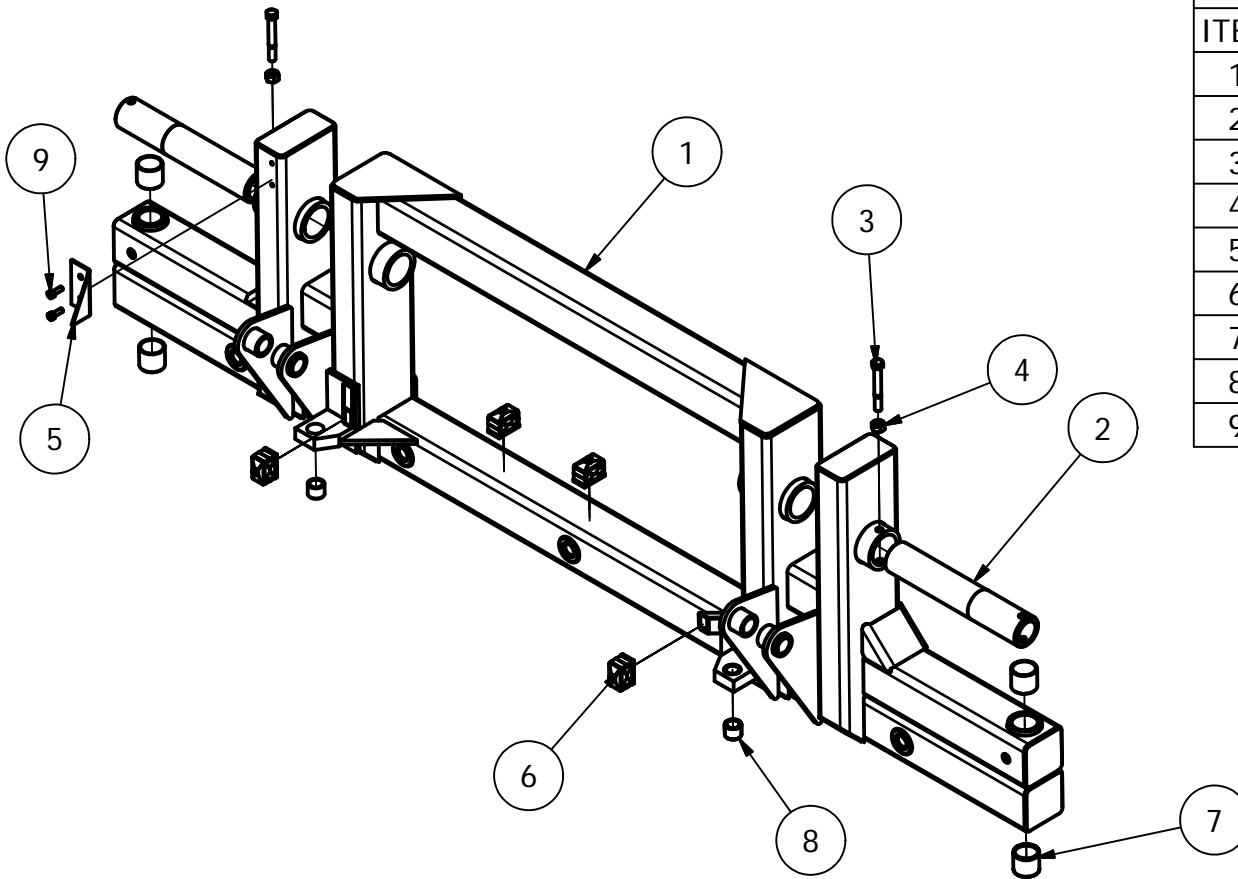


PARTS LIST			
ITEM	QTY	PART NUMBER	DESCRIPTION
1	1	1425A2L	RH Squeeze Arm
2	1	1420-305	Machined Shaft
3	1	1/2-13 Nut	Hex Nut
4	1	1/2-13 X 3-1/4 Bolt	Hex Bolt
5	1	14902030	Wear Bushing

Squeeze Front Tilt Frame Assy

Back

Home



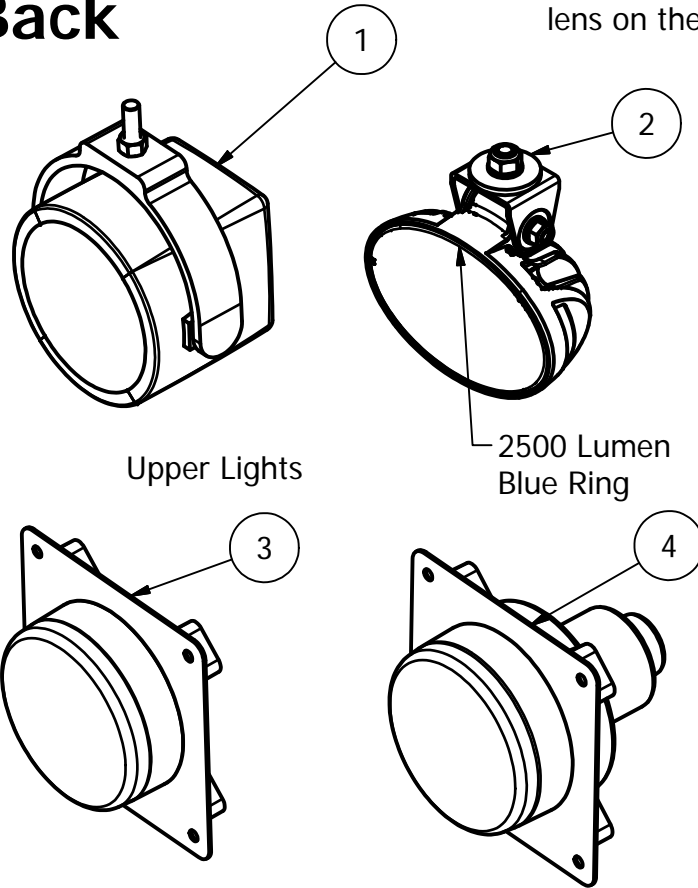
PARTS LIST			
ITEM	QTY	PART NUMBER	DESCRIPTION
1	1	5525A	Front Squeeze Tilt Frame
2	2	5520-110	Tilt Pivot Shaft
3	2	1/2-13 X 4	Hex Bolt
4	2	1/2-13 Nut	Hex Nut
5	1	5520-200	Tilt Prox Adjustent Angle
6	4	KIT-DBL-.375	3/8" Double Hose Clamp
7	4	14904654	Wear Bushing
8	2	14902030	Wear Bushing
9	2	5/16-18 X 1	Hex Bolt

White Lights

The two Oval Trilliant lights look identical in appearance except for a Blue Ring along the outer edge of the lens on the 2500 lumen (Forward Facing) light.

Back

Home



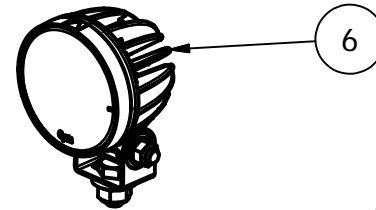
Upper Lights

2500 Lumen Blue Ring

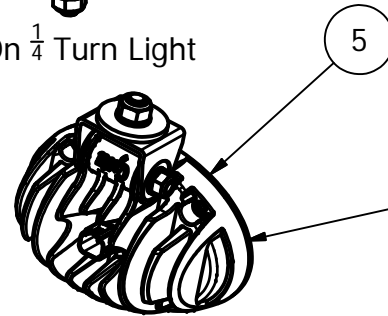
Hi Beam Bulb
1490-6616

Bumper Lights

Low Beam Bulb
1490-6617



Add-On $\frac{1}{4}$ Turn Light



Rear-Facing 1/4-Turn & Squeeze-Rail Lights
1200 Lumen (No Blue Ring)

1490-6690 Wire Harness required to add any LED light to an older machine

Wiring Harnesses

Quantity per machine		PARTS LIST	
ITEM	QTY	PART NUMBER	DESCRIPTION
1	2	1490-6770	Rallye 4000 LED Driving Lamp
2	2	1490-6320	Trilliant LED Oval 2500 Lumens Flood Light
3	2	1490-6558	Hi Beam Headlight (2014 & Later Inner)
4	2	1490-6557	Low Beam Headlight (2014 & Later Outer)
5	6	1490-6319	Trilliant LED Oval 1200 Lumens Flood Light
6	1	1490-6611	Trilliant T26 LED 1400 Flood Light

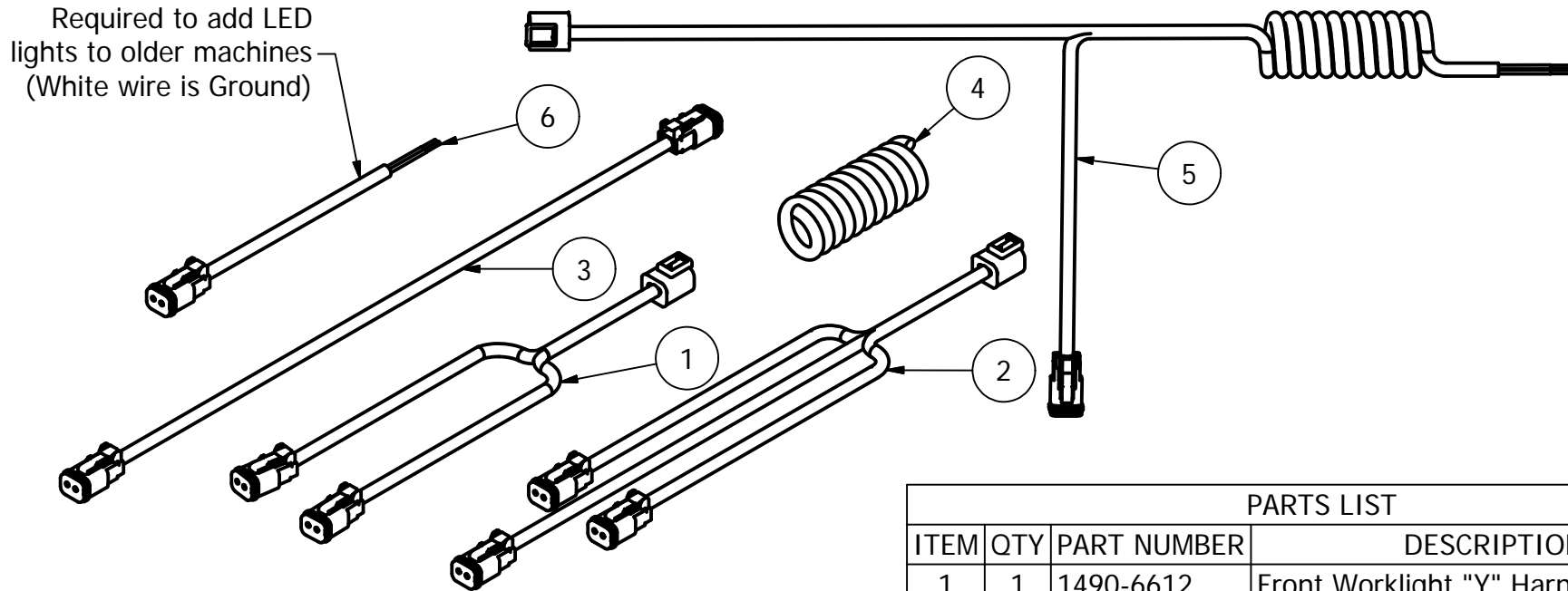
Wiring Harnesses

Back

Not Drawn to Scale

Home

Required to add LED lights to older machines (White wire is Ground)



PARTS LIST

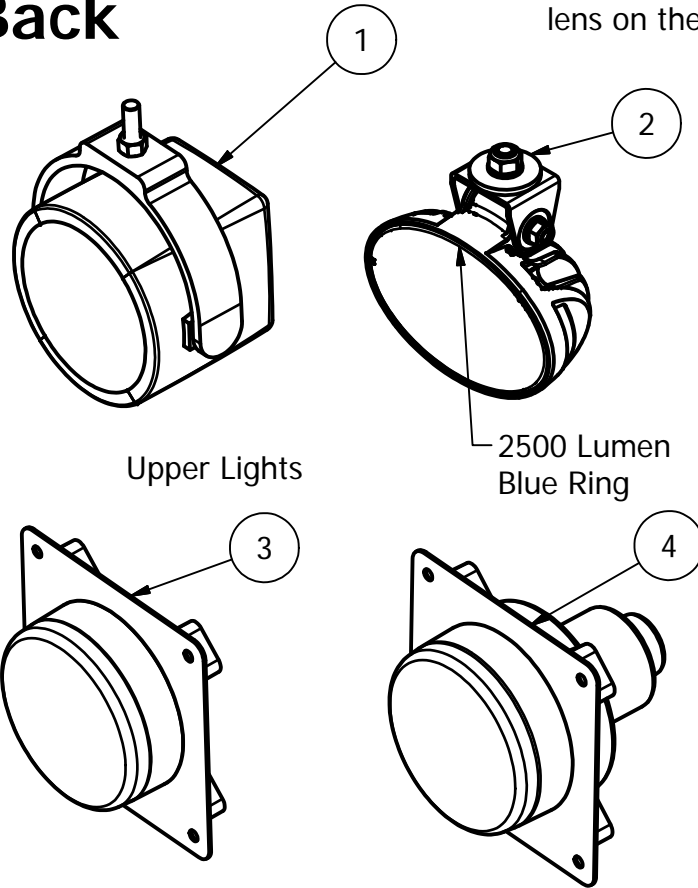
ITEM	QTY	PART NUMBER	DESCRIPTION
1	1	1490-6612	Front Worklight "Y" Harness (LH)
2	1	1490-6613	Front Worklight "W" Harness (RH)
3	1	1490-6689	Squeeze Rail Wiring Harness (Long)
4	1	1490-5955	Rear Work Light Power Supply Cord
5	1	1490-6691	Squeeze Rail Wire Harness Assembly
6	1	1490-6690	Rear Work Light Power Supply Cord

White Lights

The two Oval Trilliant lights look identical in appearance except for a Blue Ring along the outer edge of the lens on the 2500 lumen (Forward Facing) light.

Back

Home



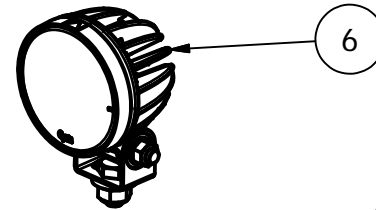
Upper Lights

2500 Lumen
Blue Ring

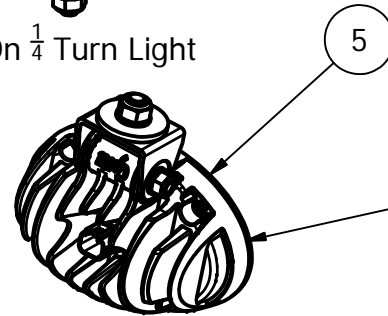
Hi Beam Bulb
1490-6616

Bumper Lights

Low Beam Bulb
1490-6617



Add-On $\frac{1}{4}$ Turn Light



Rear-Facing 1/4-Turn
& Squeeze-Rail Lights
1200 Lumen (No Blue Ring)

1490-6690 Wire Harness
required to add any LED
light to an older machine

Wiring Harnesses

Quantity per machine		PARTS LIST	
ITEM	QTY	PART NUMBER	DESCRIPTION
1	2	1490-6770	Rallye 4000 LED Driving Lamp
2	2	1490-6320	Trilliant LED Oval 2500 Lumens Flood Light
3	2	1490-6558	Hi Beam Headlight (2014 & Later Inner)
4	2	1490-6557	Low Beam Headlight (2014 & Later Outer)
5	6	1490-6319	Trilliant LED Oval 1200 Lumens Flood Light
6	1	1490-6611	Trilliant T26 LED 1400 Flood Light

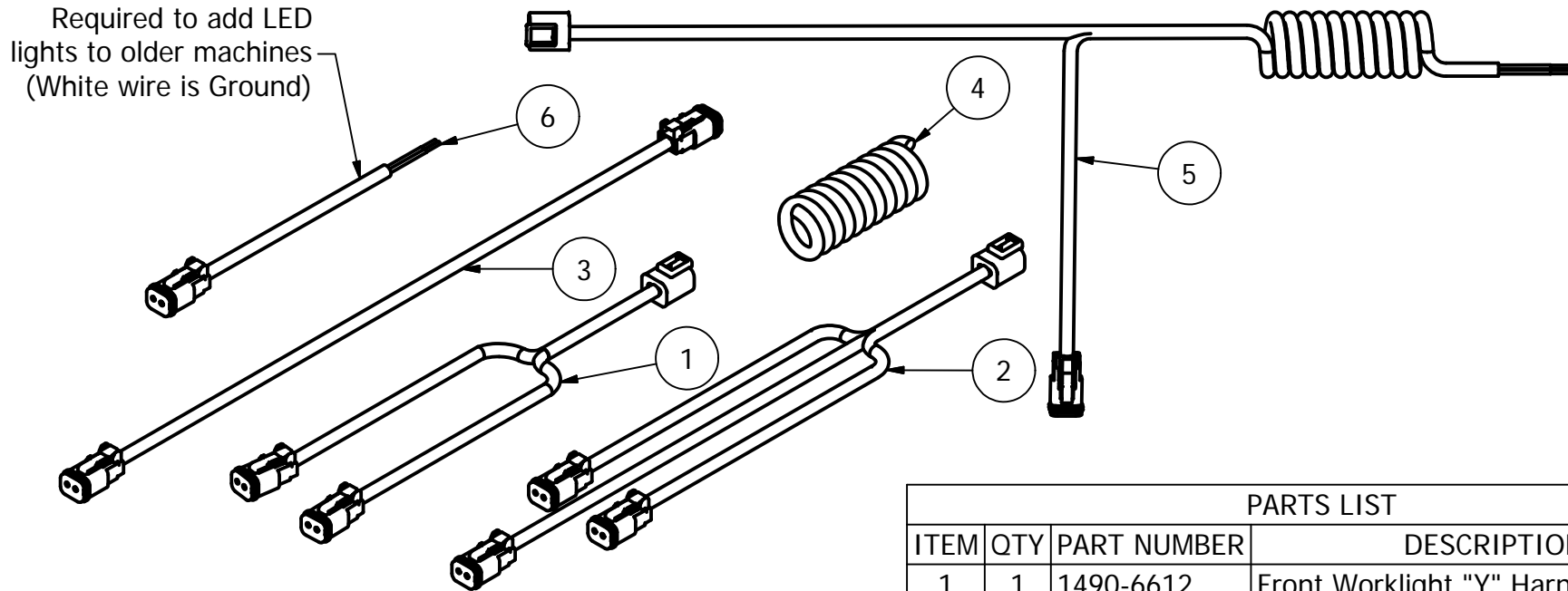
Wiring Harnesses

Back

Not Drawn to Scale

Home

Required to add LED lights to older machines (White wire is Ground)



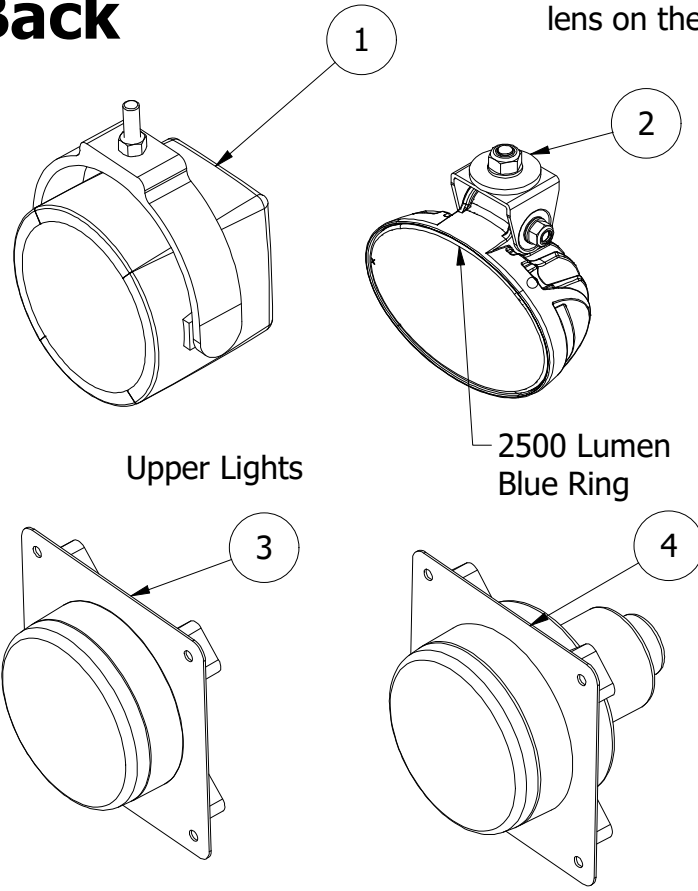
PARTS LIST

ITEM	QTY	PART NUMBER	DESCRIPTION
1	1	1490-6612	Front Worklight "Y" Harness (LH)
2	1	1490-6613	Front Worklight "W" Harness (RH)
3	1	1490-6689	Squeeze Rail Wiring Harness (Long)
4	1	1490-5955	Rear Work Light Power Supply Cord
5	1	1490-6691	Squeeze Rail Wire Harness Assembly
6	1	1490-6690	Rear Work Light Power Supply Cord

Work Lights

The two Oval Trilliant lights look identical in appearance except for a Blue Ring along the outer edge of the lens on the 2500 lumen (Forward Facing) light.

Back



Upper Lights

2500 Lumen Blue Ring

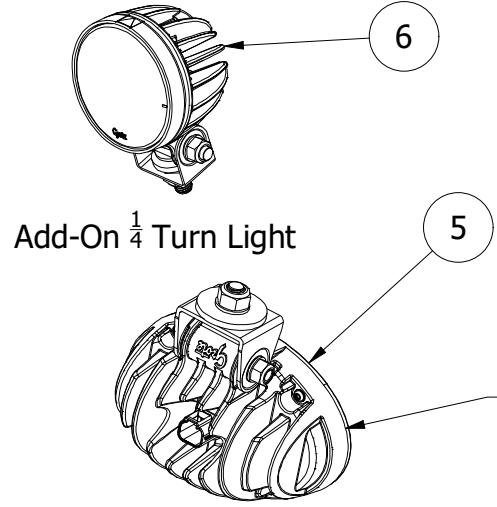
Hi Beam Bulb
1490-6616

Bumper Lights

Low Beam Bulb
1490-6617

Home

1490-6690 Wire Harness required to add any LED light to an older machine



Add-On $\frac{1}{4}$ Turn Light

Rear-Facing 1/4-Turn & Squeeze-Rail Lights
1200 Lumen (No Blue Ring)

Wiring Harnesses

Quantity per machine		PARTS LIST	
ITEM	QTY	PART NUMBER	DESCRIPTION
1	2	1490-6770	Rallye 4000 LED Driving Lamp
2	2	1490-6320	Trilliant LED Oval 2500 Lumens Flood Light
3	2	1490-6558	Hi Beam Headlight (2014 & Later Inner)
4	2	1490-6557	Low Beam Headlight (2014 & Later Outer)
5	6	1490-6319	Trilliant LED Oval 1200 Lumens Flood Light
6	1	1490-6611	Trilliant T26 LED 1400 Flood Light

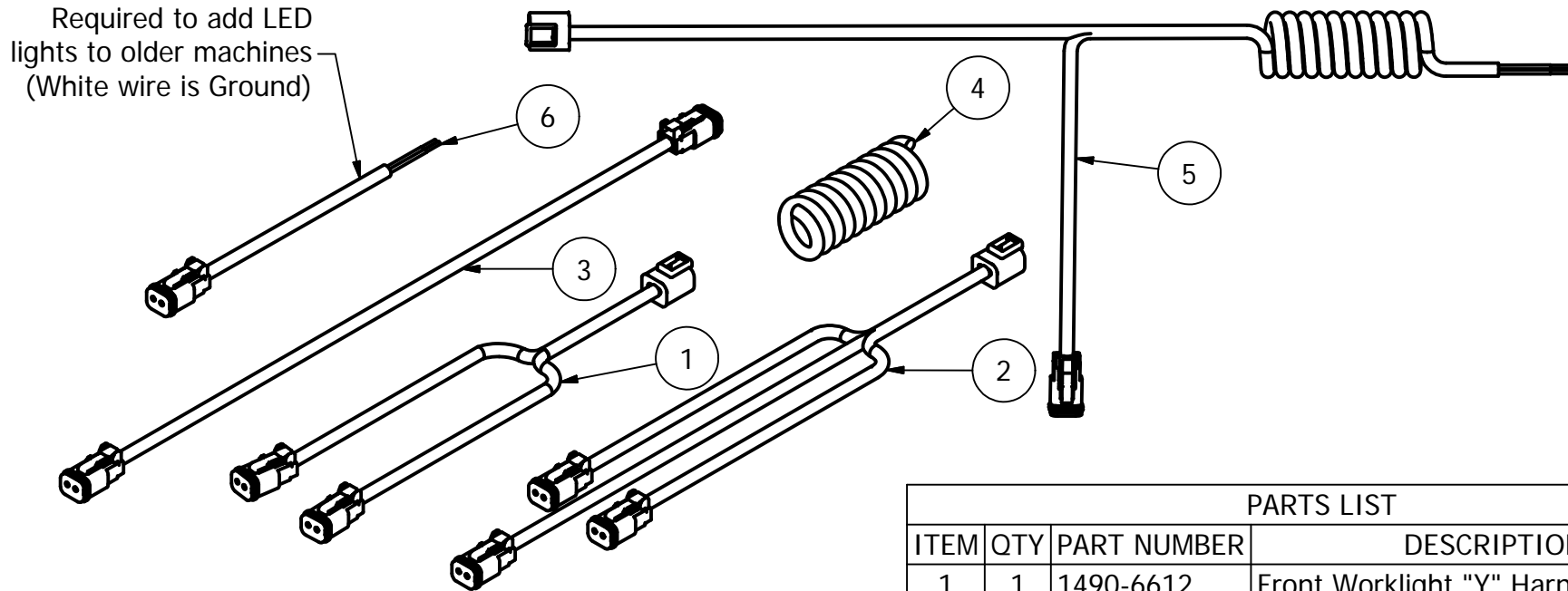
Wiring Harnesses

Back

Not Drawn to Scale

Home

Required to add LED lights to older machines (White wire is Ground)



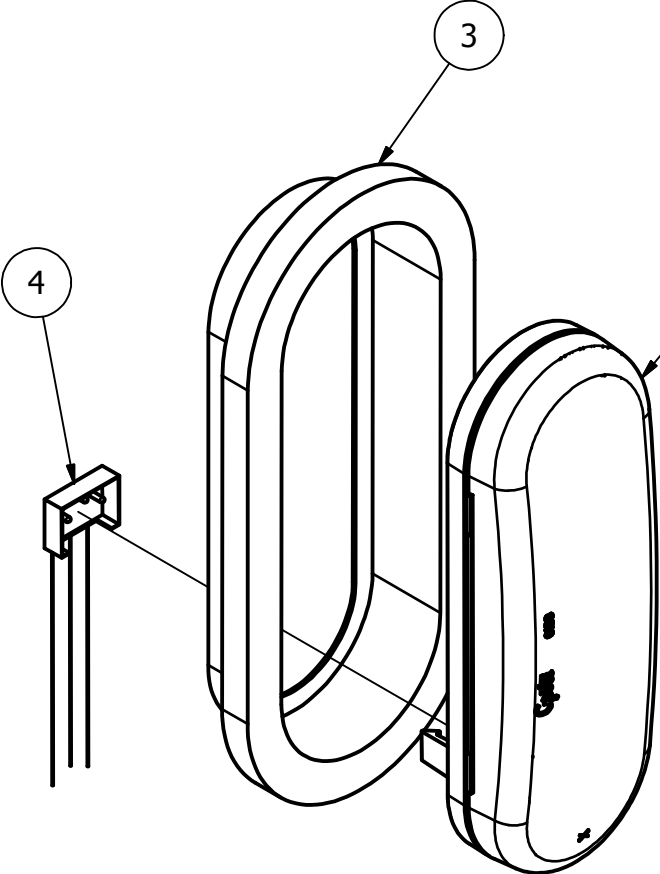
PARTS LIST

ITEM	QTY	PART NUMBER	DESCRIPTION
1	1	1490-6612	Front Worklight "Y" Harness (LH)
2	1	1490-6613	Front Worklight "W" Harness (RH)
3	1	1490-6689	Squeeze Rail Wiring Harness (Long)
4	1	1490-5955	Rear Work Light Power Supply Cord
5	1	1490-6691	Squeeze Rail Wire Harness Assembly
6	1	1490-6690	Rear Work Light Power Supply Cord

LED Turn/Brake Lights

Back

Home

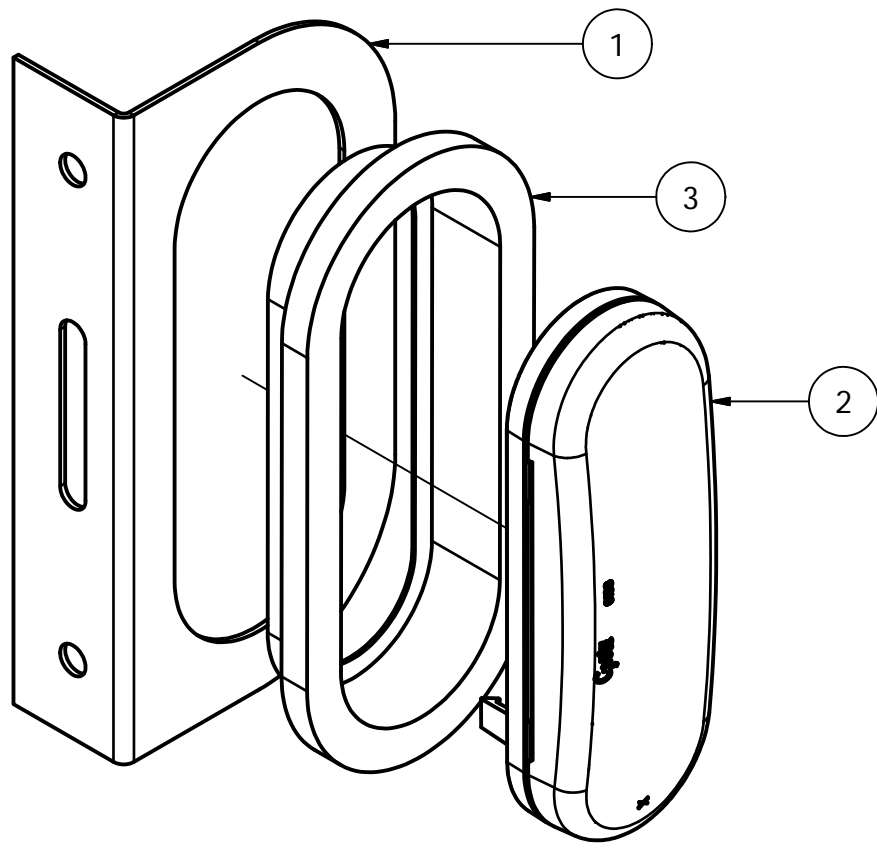


PARTS LIST			
ITEM	QTY	PART NUMBER	DESCRIPTION
1	1	1490-6188	Red LED Turn/Brake Light
2	1	1490-6189	Amber LED Turn Signal Light
3	1	1490-6265	Rubber Grommet for Tail lights
4	1	1490-6266	3-Pin Pigtail

Compartment Light Detail

Back

Home

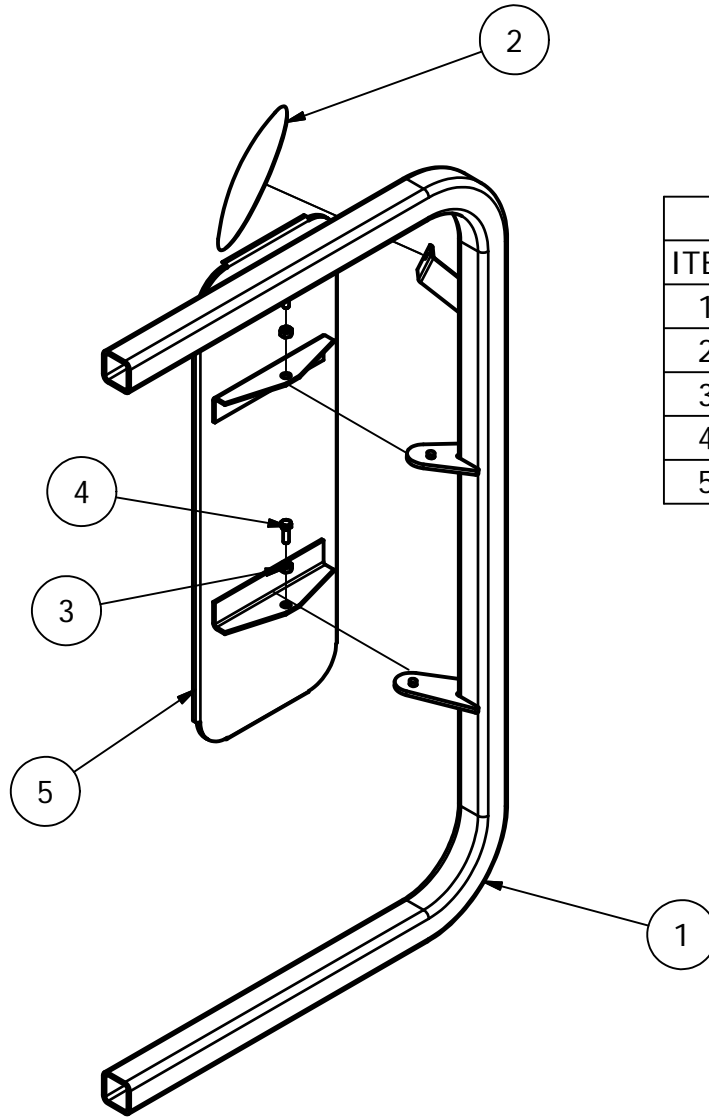


PARTS LIST			
ITEM	QTY	PART NUMBER	DESCRIPTION
1	1	1490-3502	Black Steel Oval Light Bracket
2	1	1490-6321	Oval 6" LED Dome Compartment Light
3	1	1490-6265	Rubber Grommet for Tail lights

LH Mirror Bracket

Back

Home

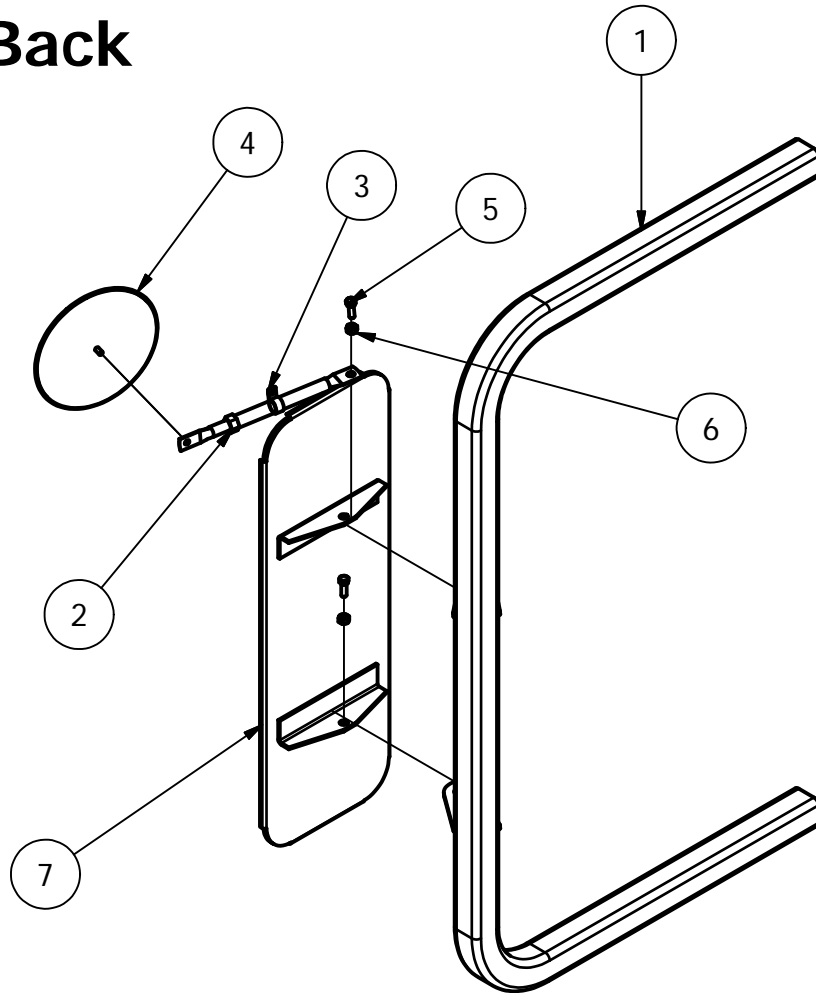


PARTS LIST			
ITEM	QTY	PART NUMBER	DESCRIPTION
1	1	2006A3L	2006 500 Series LH Mirror Bracket
2	1	1490-5087	8" Rd Convex Mirror
3	2	5/16 - 18	Hex Nut
4	2	5/16-18 X 1	Hex Bolt
5	1	1490-5379	10X30 Mirror Assy

RH Mirror Bracket

Back

Home



PARTS LIST			
ITEM	QTY	PART NUMBER	DESCRIPTION
1	1	2006A3R	2006 500 Series RH Mirror Bracket
2	1	1490-6564	Mirror Ext. Arm
3	1	Waytek #25512	3/4" Vinyl coated Cable Clamp
4	1	1490-5087	8" Rd Convex Mirror
5	2	5/16-18 X 1	Hex Bolt
6	2	5/16 - 18	Hex Nut
7	1	1490-5379	10X30 Mirror Assy

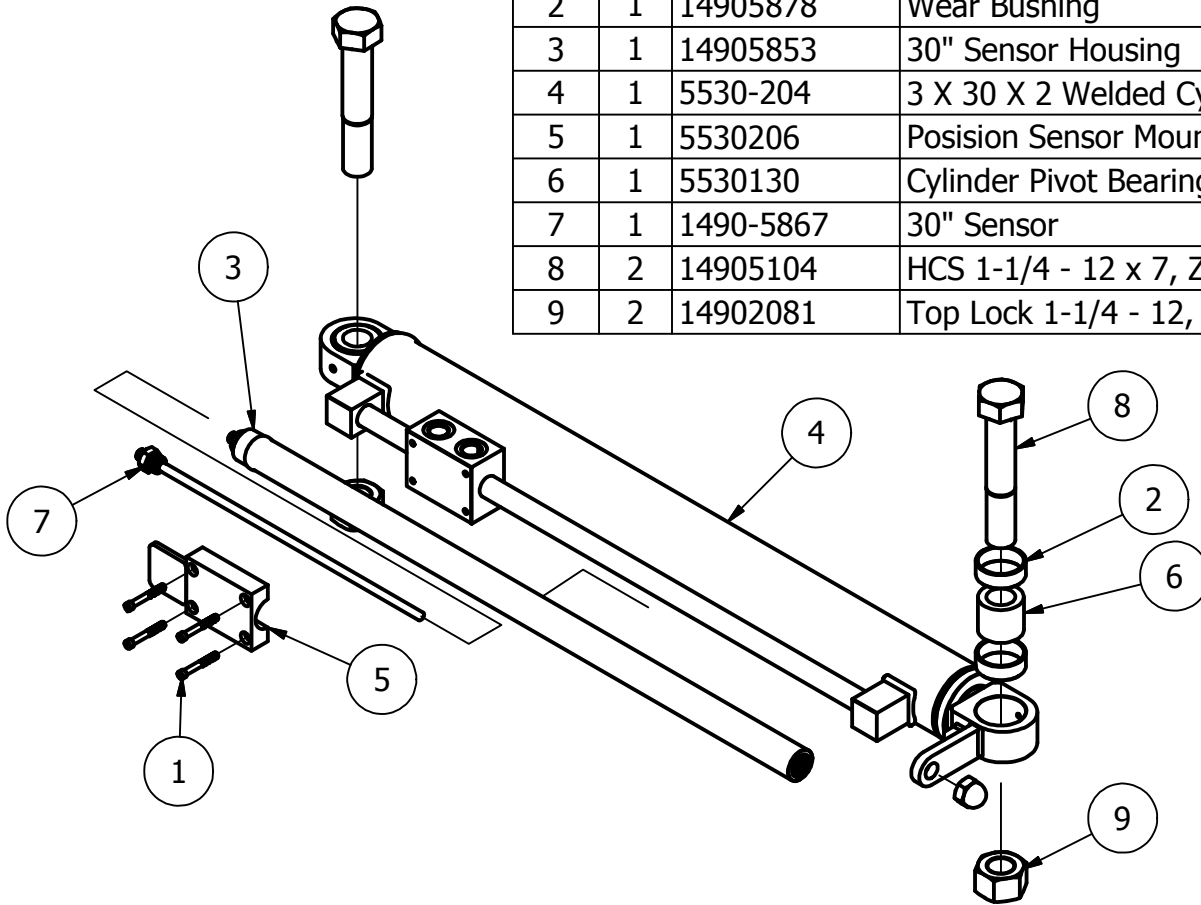
5530-204RH

(5530-204 W/Sensor)

PARTS LIST			
ITEM	QTY	PART NUMBER	DESCRIPTION
1	4	Cap Screw	1/4 X 2-1/4 Allen Head Cap Screw
2	1	14905878	Wear Bushing
3	1	14905853	30" Sensor Housing
4	1	5530-204	3 X 30 X 2 Welded Cylinder
5	1	5530206	Position Sensor Mounting Cap
6	1	5530130	Cylinder Pivot Bearing
7	1	1490-5867	30" Sensor
8	2	14905104	HCS 1-1/4 - 12 x 7, Zinc Plate Grade 8
9	2	14902081	Top Lock 1-1/4 - 12, Zinc Plate Grade 8

Back

Home



Cylinder Seal Kit 1490-5019

Sensor Housing Seal Kit 1490-6297

Sensor requires 1 - 8MB O-Ring

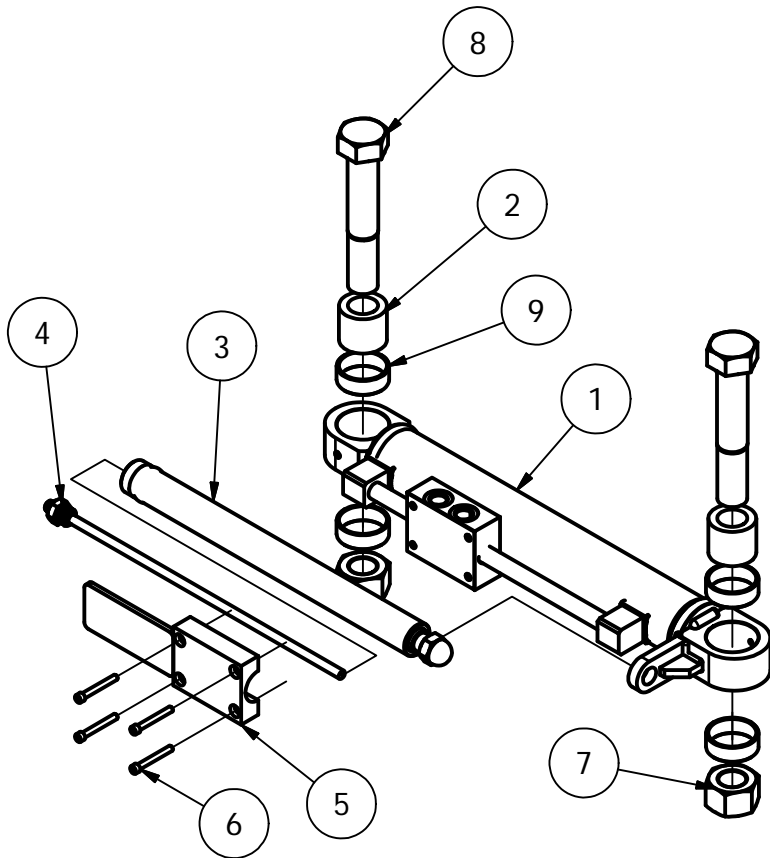
Acorn Nut for Sensor Housing 1490-6624

5530-205RH

(5530-205 W/Sensor)

Back

Home



PARTS LIST			
ITEM	QTY	PART NUMBER	DESCRIPTION
1	1	5530-205	2-1/4 X 13 Tilt Cylinder
2	2	5530-130	Cylinder Pivot Bearing
3	1	1490-5854	13" Sensor Housing
4	1	1490-5866	13" Sensor
5	1	5530207	Position Sensor Mounting Cap Weldment
6	4	Cap Screw	1/4 X 2-1/4 Cap Screw
7	2	14902081	Top Lock 1-1/4 - 12, Zinc Plate Grade 8
8	2	14905104	HCS 1-1/4 - 12 x 7, Zinc Plate Grade 8
9	4	1490-5878	Wear Bushing

Cylinder Seal Kit 1490-4756

Sensor Housing Seal Kit 1490-6297

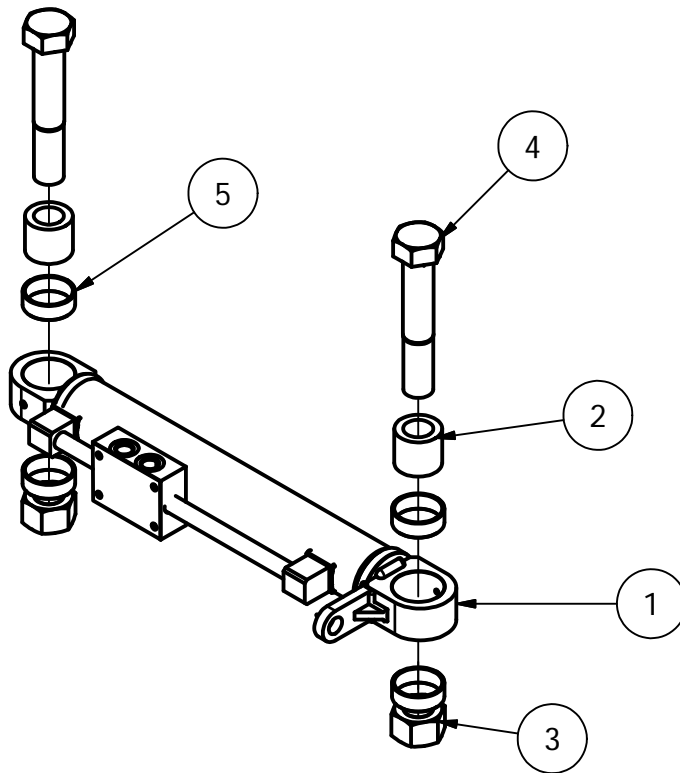
Sensor requires 1 - 8MB O-Ring

Acorn Nut for Sensor Houseing 1490-6624

5530-205

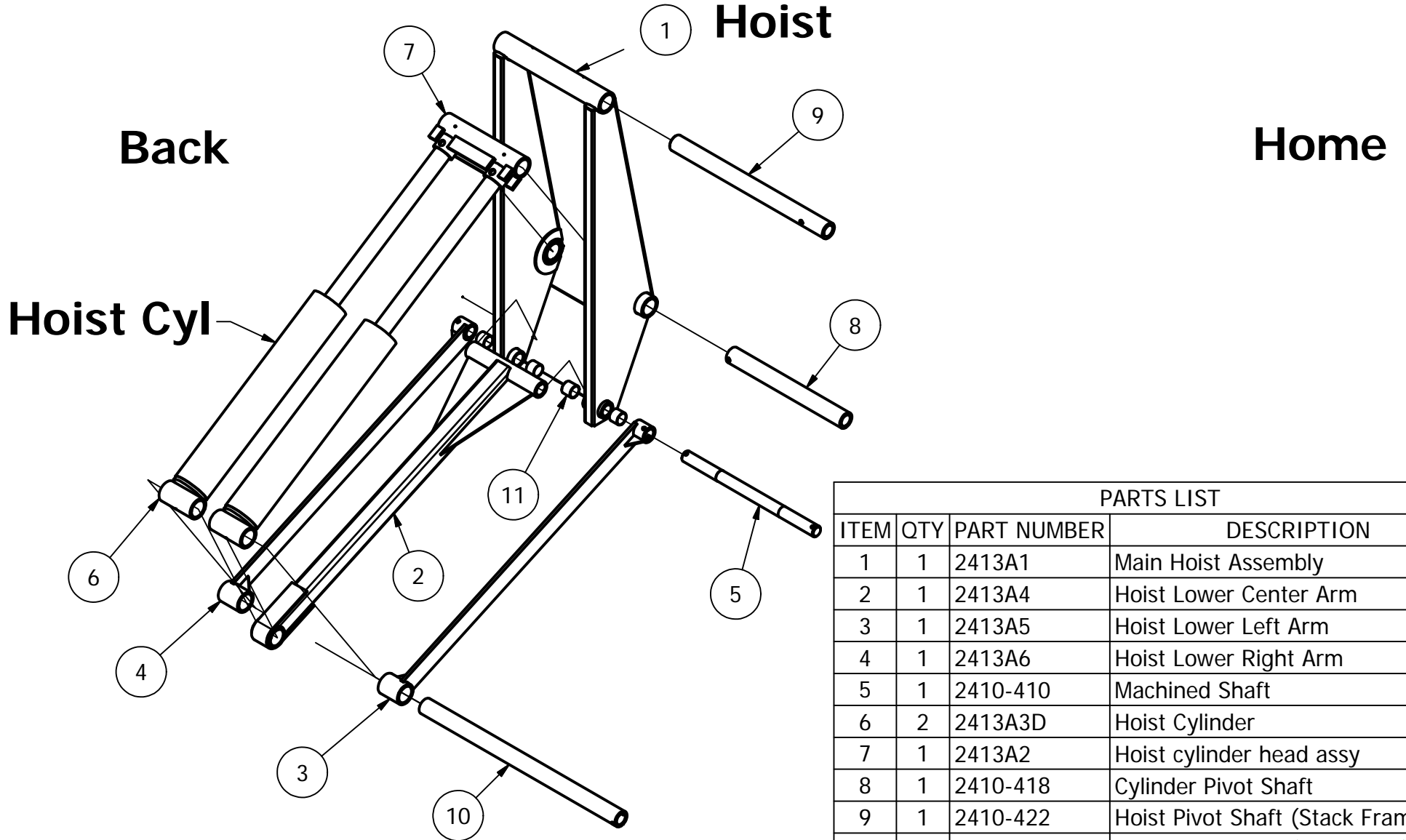
[Back](#)

[Home](#)



PARTS LIST			
ITEM	QTY	PART NUMBER	DESCRIPTION
1	1	5530-205	2-1/4 X 13 Tilt Cylinder
2	2	5530-130	Cylinder Pivot Bearing
3	2	14902081	Top Lock 1-1/4 - 12, Zinc Plate Grade 8
4	2	14905104	HCS 1-1/4 - 12 x 7, Zinc Plate Grade 8
5	4	1490-5878	Wear Bushing

Cylinder Seal Kit 1490-4756

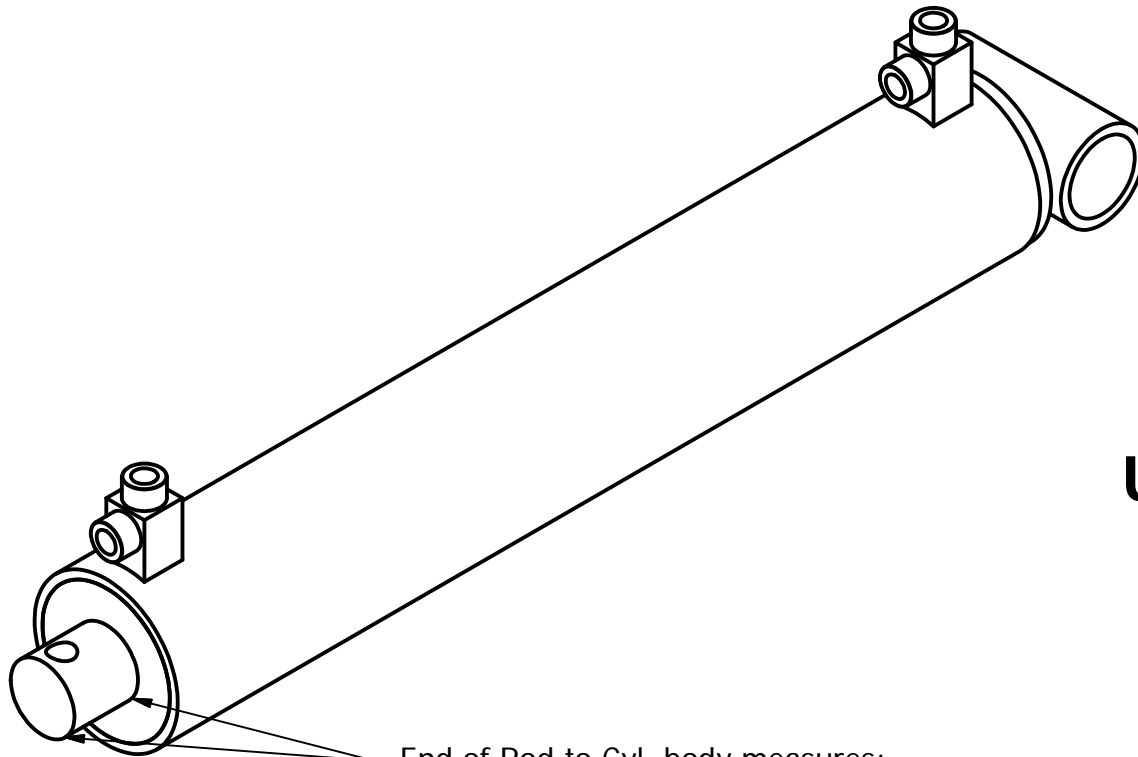


PARTS LIST			
ITEM	QTY	PART NUMBER	DESCRIPTION
1	1	2413A1	Main Hoist Assembly
2	1	2413A4	Hoist Lower Center Arm
3	1	2413A5	Hoist Lower Left Arm
4	1	2413A6	Hoist Lower Right Arm
5	1	2410-410	Machined Shaft
6	2	2413A3D	Hoist Cylinder
7	1	2413A2	Hoist cylinder head assy
8	1	2410-418	Cylinder Pivot Shaft
9	1	2410-422	Hoist Pivot Shaft (Stack Frame)
10	1	2460-333	Hoist Pivot Shaft (Main Slide)
11	4	1490-4654	Wear Bushing

Hoist Cylinder 2413A3D

Back

Home



End of Rod to Cyl. body measures:
2-1/8" on 2413A3D (28" Stroke)
2-3/8" on 2413A3C (27-1/2" Stroke)
When Fully Colapsed

Identical to 2413A3C but with a 28" stroke which forces the stackframe further past center during stacking.

Factory installed on S/N 540, 557 and later units, you must install pairs whenever you replace these on older units.

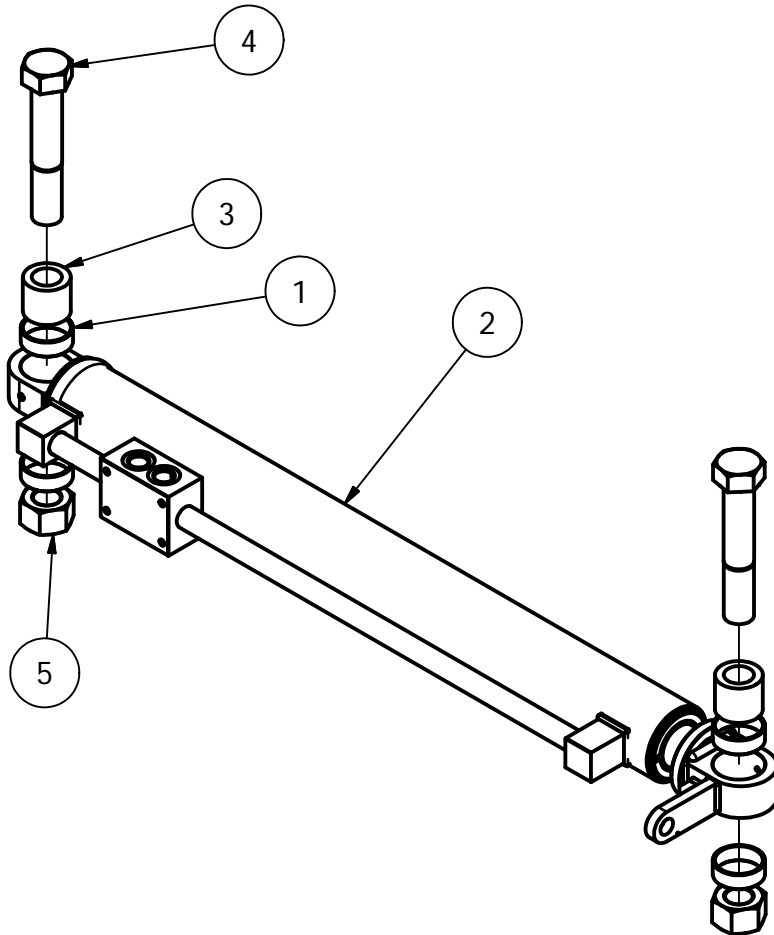
Use Seal Kit # 1490-1686



5530-204

Back

Home



PARTS LIST			
ITEM	QTY	PART NUMBER	DESCRIPTION
1	4	1490-5878	Wear Bushing
2	1	5530204	3 X 30 X 2 Welded Cylinder
3	2	5530-130	Cylinder Pivot Bearing
4	2	14905104	HCS 1-1/4 - 12 x 7, Zinc Plate Grade 8
5	2	14902081	Top Lock 1-1/4 - 12, Zinc Plate Grade 8

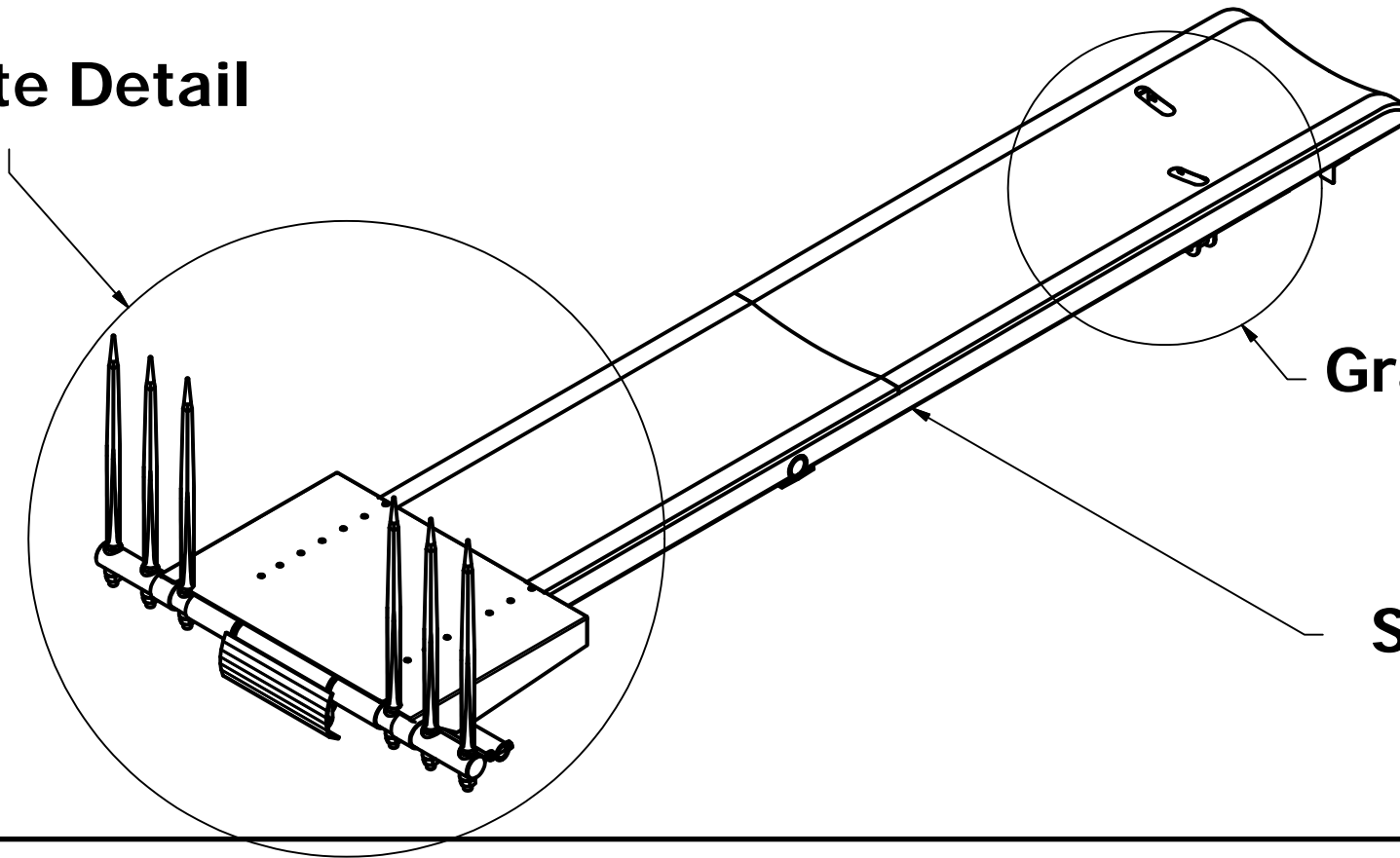
Cylinder Seal Kit 1490-5019

Stackframe Assy

Back

Home

Tailgate Detail



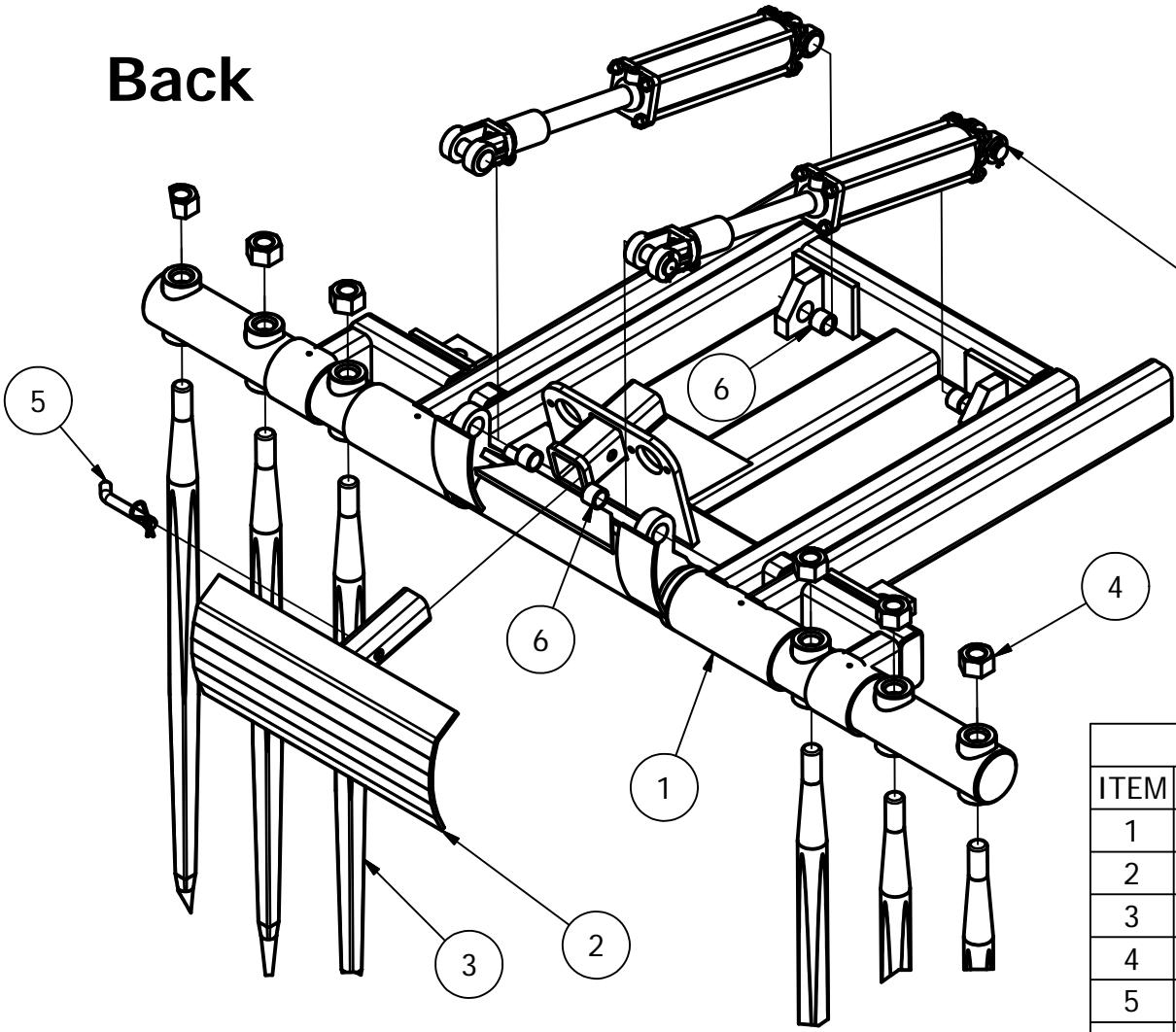
Grapple Detail

Stackframe

Tailgate Detail

Back

Home



Tailgate Cyl. Detail

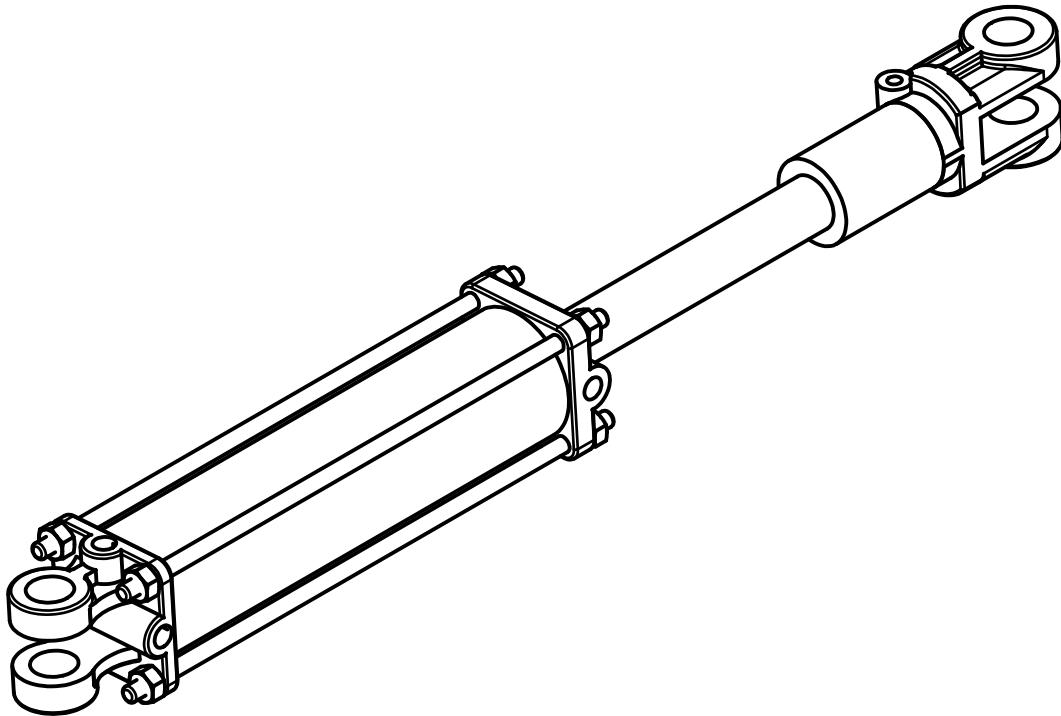
PARTS LIST			
ITEM	QTY	PART NUMBER	DESCRIPTION
1	1	6511A	Stacking Tailgate
2	1	6511-A2	Removable Rear Skidplate
3	6	6134	34" Bale Spear
4	6	1490-4394	Large Course Nut M30 X 2
5	1	1490-6213	Hitch Pin 5/8 X 3 W/Keeper
6	4	14902030	Wear Bushing

Tailgate Cylinder

(With Adjustable Stop Collar)
(New 3" Cylinder can replace old 2-1/2")

[Back](#)

[Home](#)



Cylinder Part Number

1490-2516

(Old 2-1/2" 1490-1892)

Seal Kit Part Number

1490-1874

(Old 2-1/2" 1490-1873)

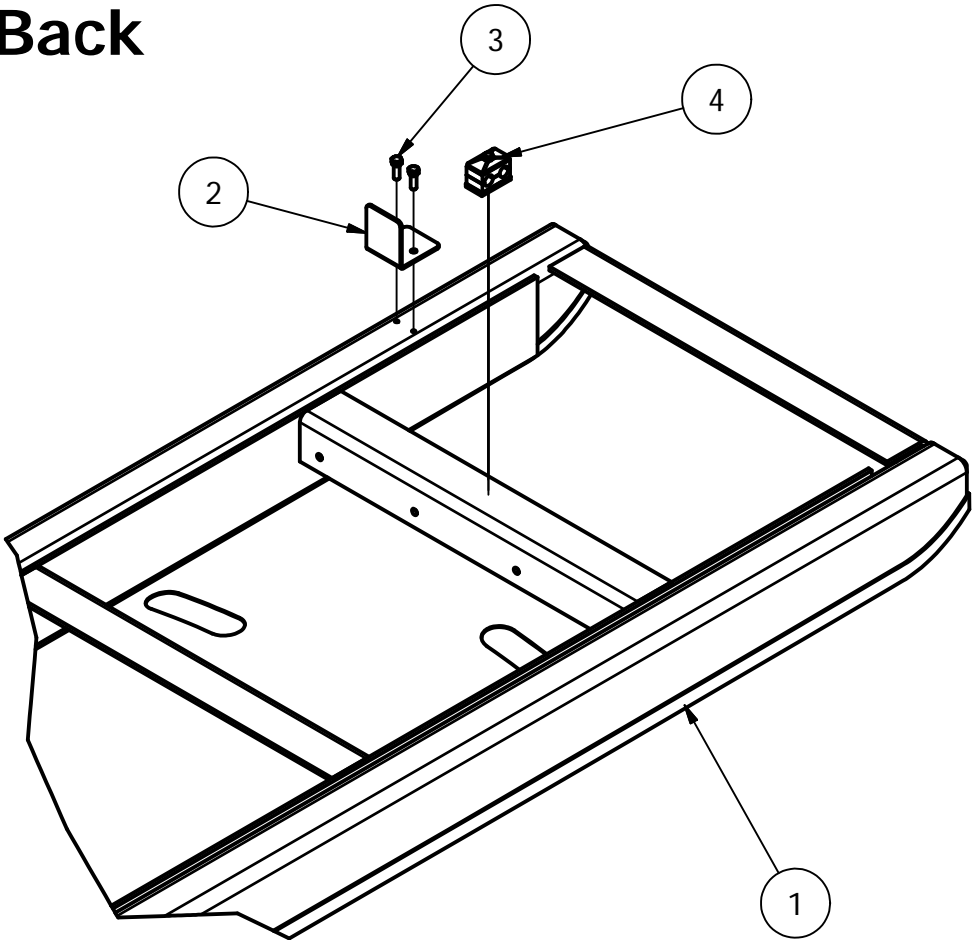
Cyl Pin Part Number

1490-4566

Stackframe Detail B

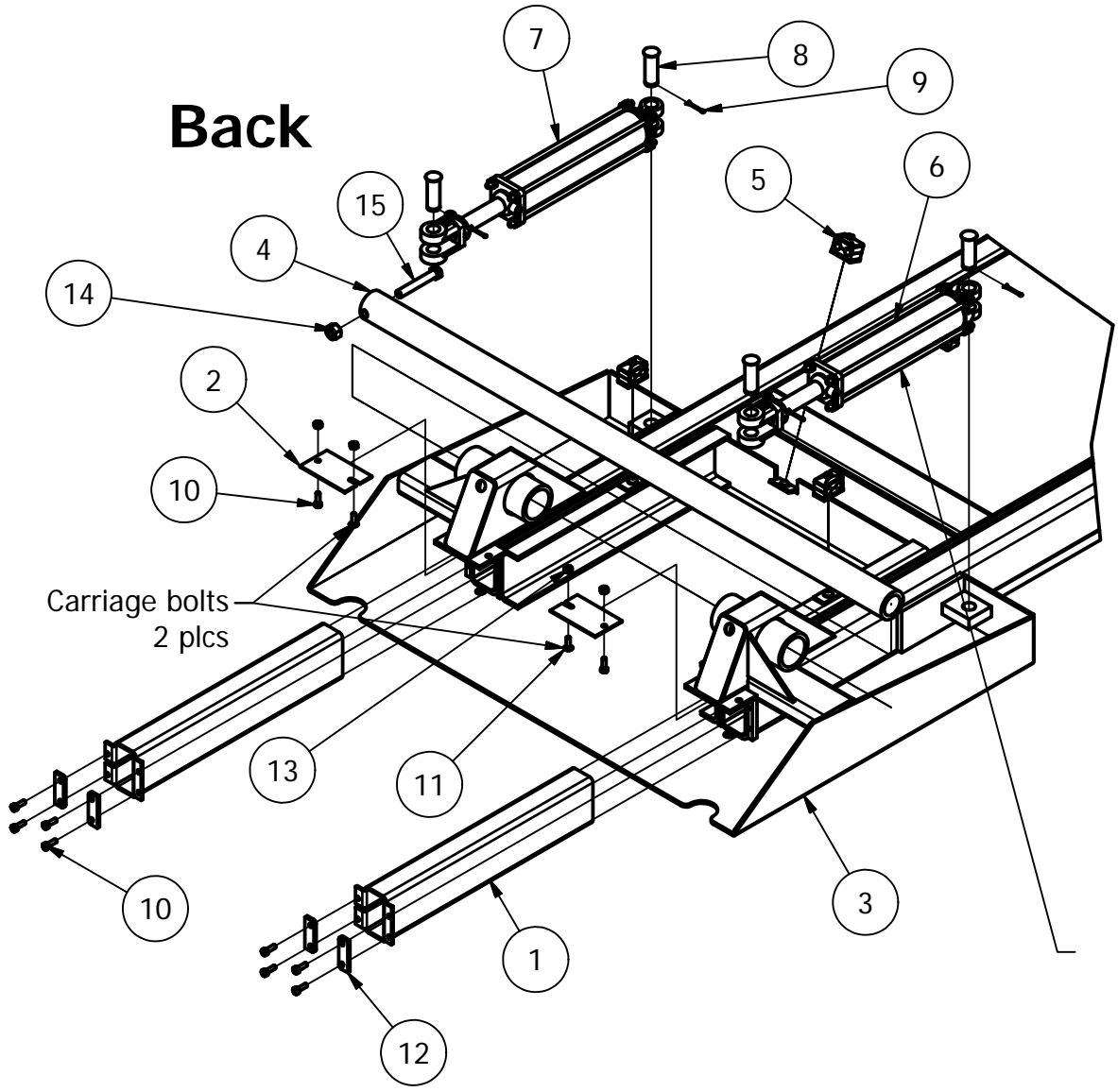
Back

Home



PARTS LIST			
ITEM	QTY	PART NUMBER	DESCRIPTION
1	1	6512AG	Stackframe Weldment
2	1	2410-430	Stack Frame Microswitch Trigger
3	2	5/16-18 X 1	Hex Bolt
4	8	KIT-DBL-.375	3/8" Double Hose Clamp

Stackframe Detail A



Home

PARTS LIST

ITEM	QTY	PART NUMBER	DESCRIPTION
1	2	2410-373	Poly Insert
2	2	2410-368	Tailgate Wear Plate
3	1	6512AG	Stackframe Weldment
4	1	2460-317	Rear Pivot Shaft
5	8	KIT-DBL-.375	3/8" Double Hose Clamp
6	1	1490-3063	LH Stackdown Cylinder
7	1	1490-3064	RH Stackdown Cylinder
8	4	2.75 Cyl Pin	
9	4	Cotter Pin	1/8 X 1-3/8 Cotter Pin
10	12	5/16-18 X 1	Hex Bolt
11	2	5/16 X 1 Carriage Bolt	5/16 X 1 Carriage Bolt
12	4	2460-320	Squeeze Poly Strap
13	4	5/16 - 18	Hex Nut
14	1	5/8 Nut	5/8 Hex Nut
15	1	5/8 X 4 Bolt	5/8 X 4 Bolt

Stackdown Cylinder Details

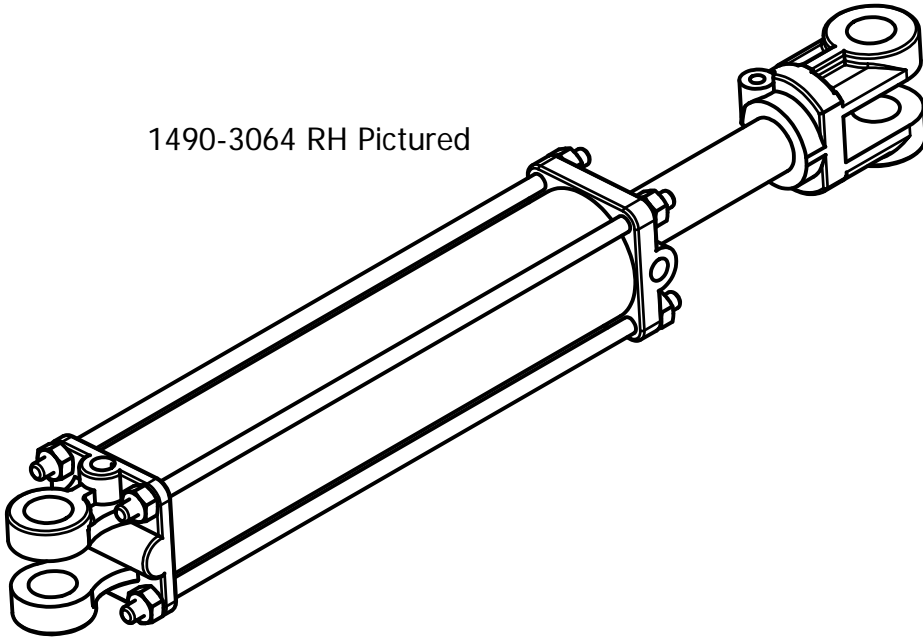
Stackdown Cylinders

(1490-3063 & 1490-3064)

Back

Home

1490-3064 RH Pictured



1490-3063 LH Rod end
ports from opposite sides

Use seal Kit #1490-1873



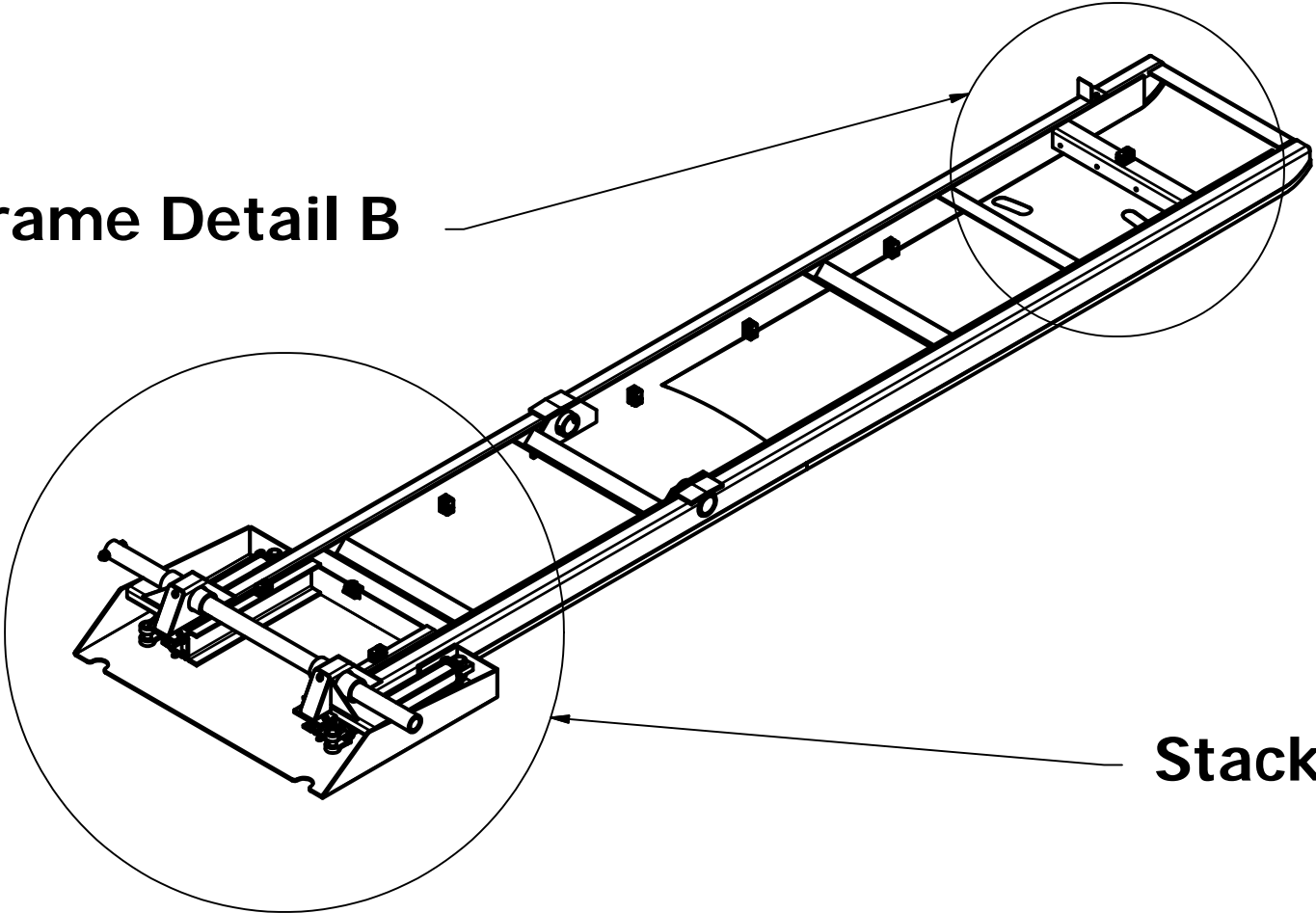
Stackframe

Back

Home

Stackframe Detail B

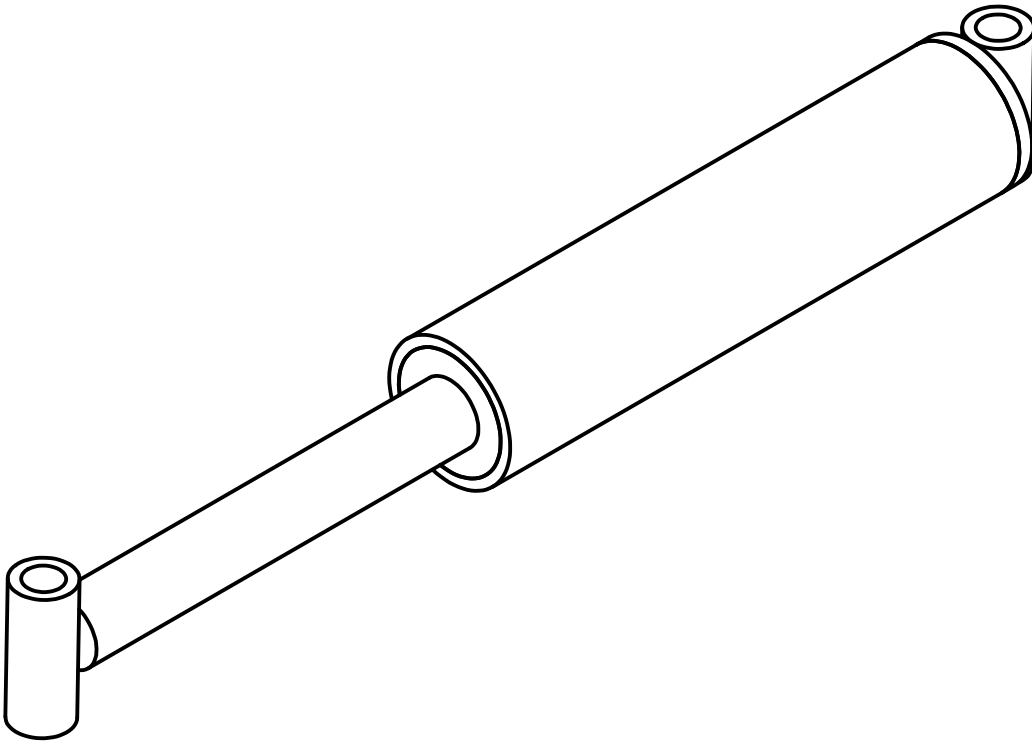
Stackframe Detail A



Grapple Cylinder Detail

Back

Home

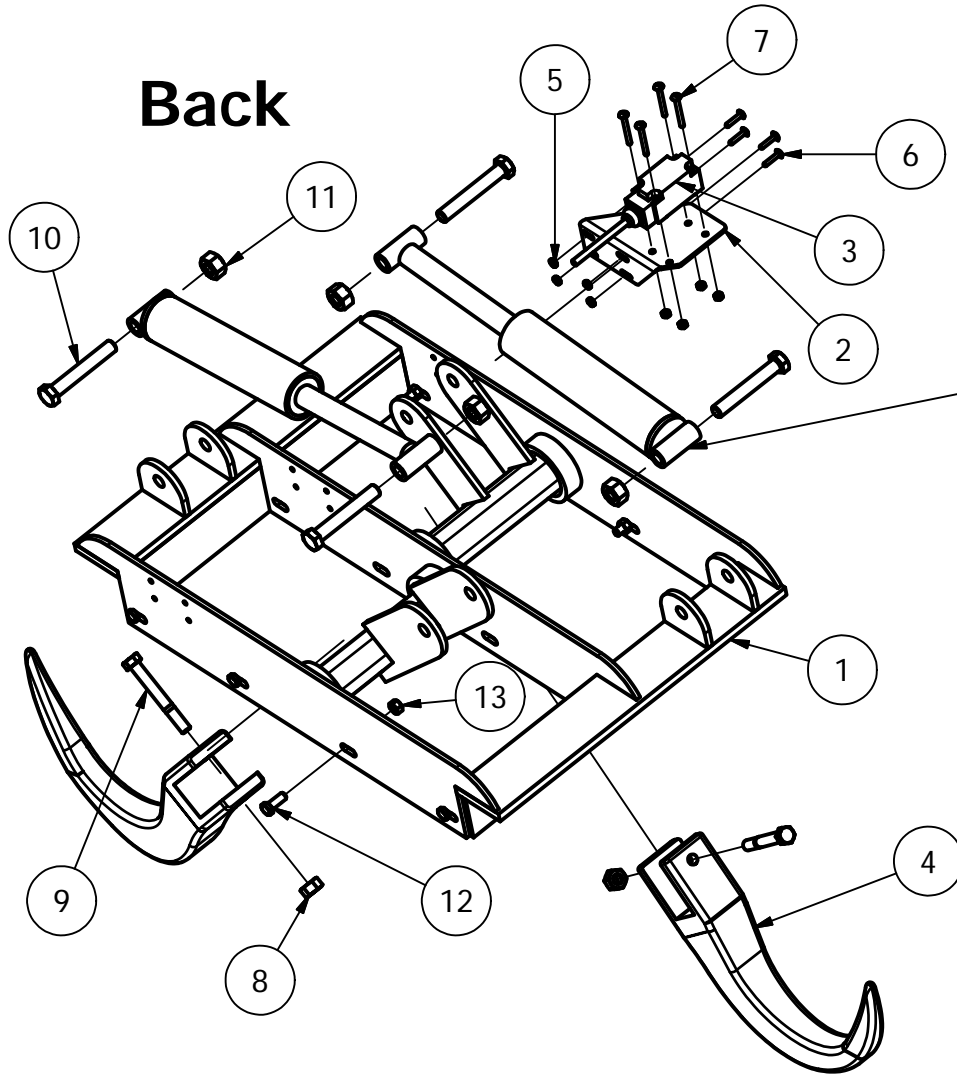


**Grapple Cyl. Part Number
2414A2**

**Seal Kit Number
1490-6391**



Grapple Detail



Home

Grapple Cyl Detail

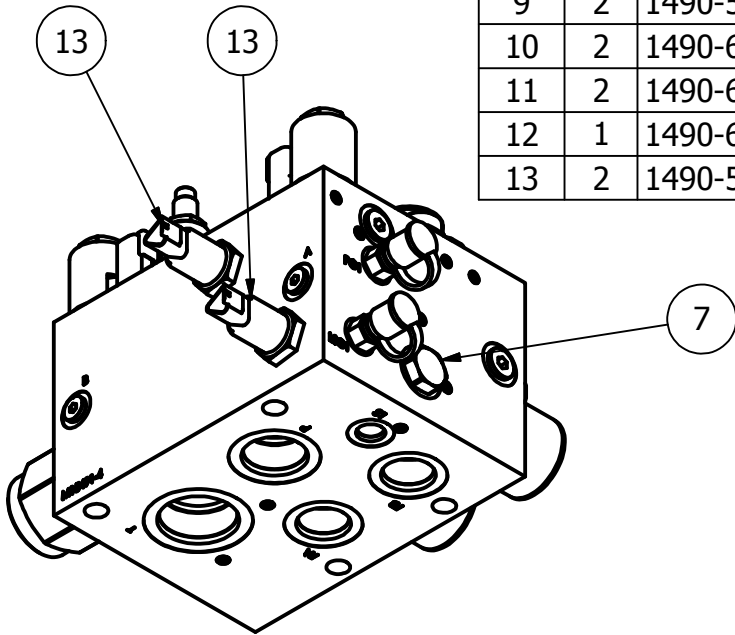
PARTS LIST			
ITEM	QTY	PART NUMBER	DESCRIPTION
1	1	2414A	Bolt On Grapple Assembly
2	1	2410-509	Limit Switch Bracket
3	1	1490-5764	Limit Switch w/Spring Arm
4	2	14902210	Grapple Tooth
5	8	10-24	Machine Nut
6	4	10-24 X 1	Machine Screw
7	4	10-24 X 2	Machine Screw
8	2	1/2-13 Nut	Hex Nut
9	2	1/2-13 X 4	Hex Bolt
10	4	5/8 X 4 Bolt	5/8 X 4 Bolt
11	4	5/8 Nut	5/8 Hex Nut
12	8	3/8 X 1	Bolt
13	8	3/8	Hex Nut

Complete Kit to add a Grapple 2009 and Newer - KIT:14806514

Main Control Valve

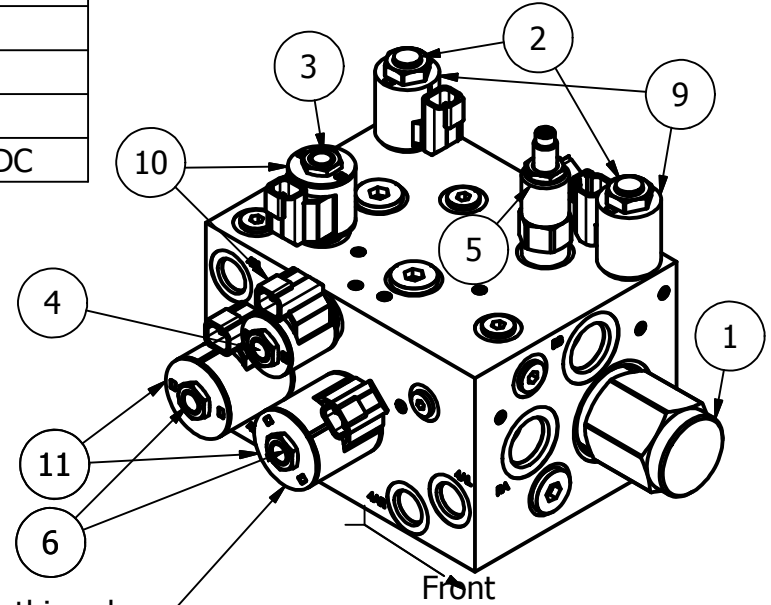
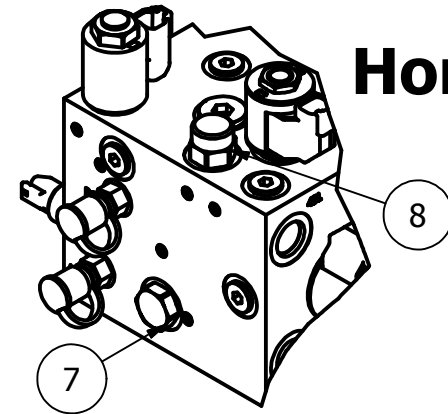
(Complete Assy 1490-5870)

Back



PARTS LIST			
ITEM	QTY	PART NUMBER	DESCRIPTION
1	1	1490-6302	Main 4-way control valve
2	2	1490-5916	EHPR Proportional Relief
3	1	1490-6305	#8 Prop. Valve
4	1	1490-6306	#8 Cartridge Valve
5	1	1490-5925	Relief Valve Main
6	2	1490-5918	Size 10 2-Way
7	1	1490-6569	Shuttle Valve
8	1	1490-6199	Flow Regulator 1.25 gal/min
9	2	1490-5917	EHPR #8 Coil
10	2	1490-6248	12VDC #8 ER Coil
11	2	1490-6588	SV Coil
12	1	1490-6225	#10 Orifice Disk .125
13	2	1490-5998	Transducer 0-6000 5VDC

Home



1490-6225 orifice under this valve

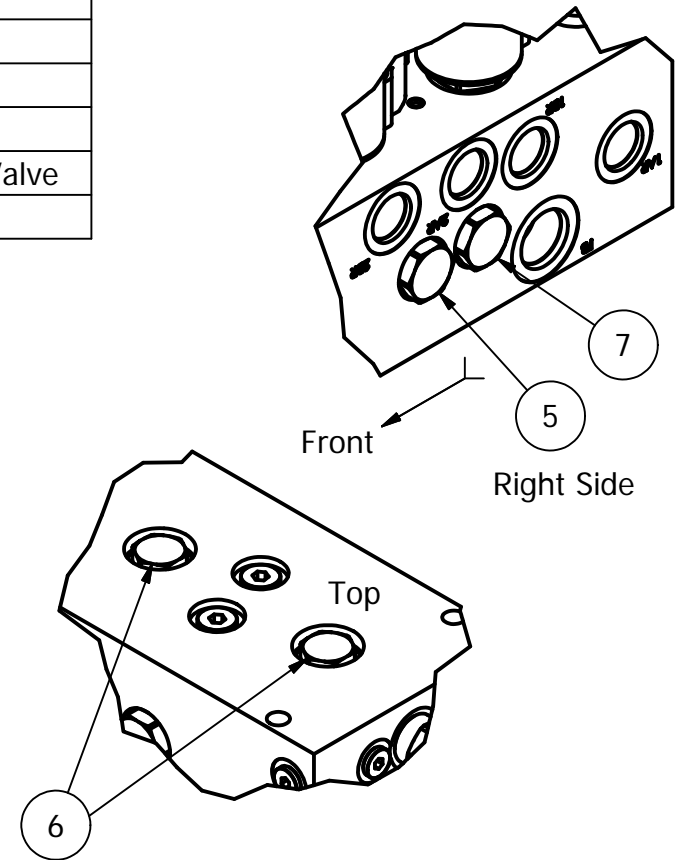
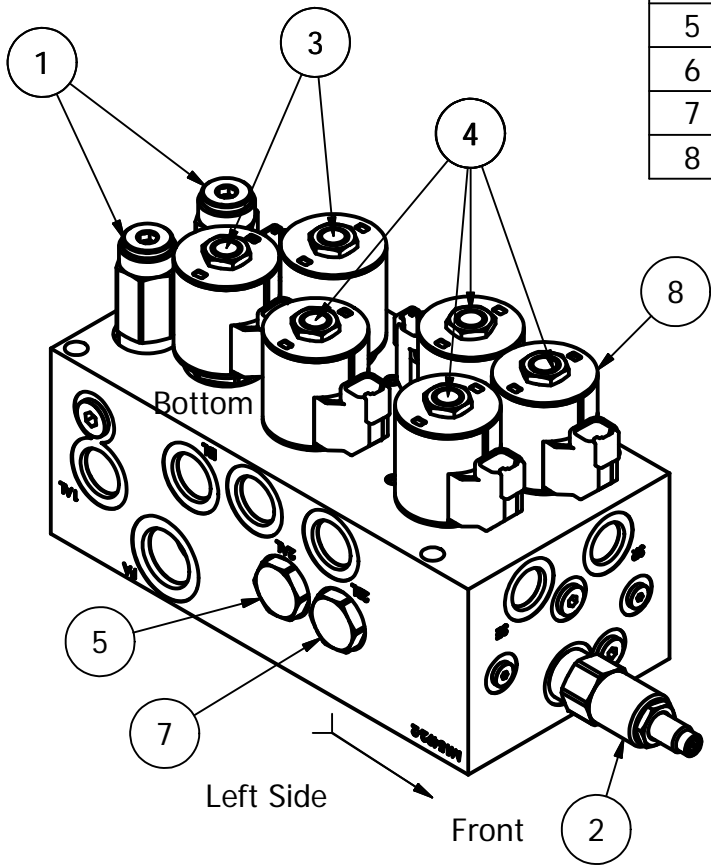
Frontend Control Valve

(1490-5871)

PARTS LIST			
ITEM	QTY	PART NUMBER	DESCRIPTION
1	2	1490-5926	Relief Valve Front Down
2	1	1490-5924	Relief Valve Front/Rear
3	2	1490-5919	Size 12 2-Way
4	4	1490-5918	Size 10 2-Way
5	2	1490-5922	Size 10 Check Valve
6	2	1490-5923	Size 08 Check Valve
7	2	1490-5921	Pilot Check Cartridge Valve
8	6	1490-5920	SV Coil

Back

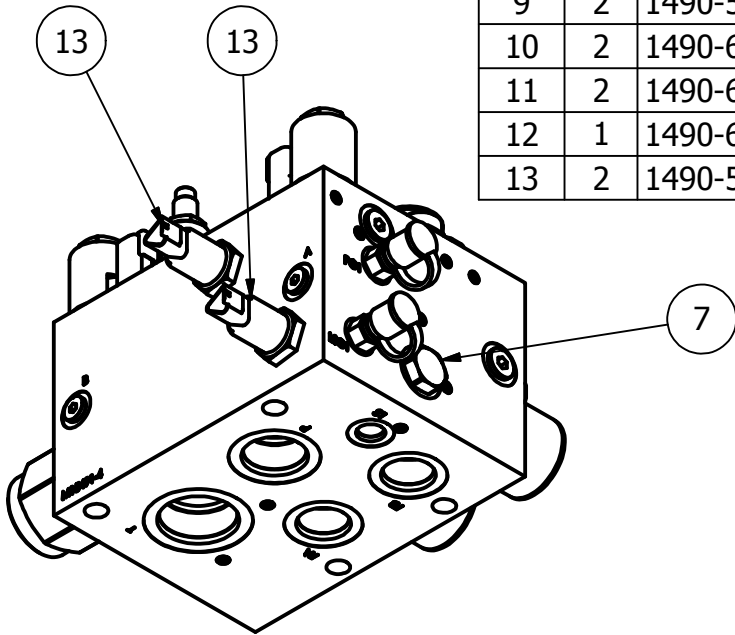
Home



Main Control Valve

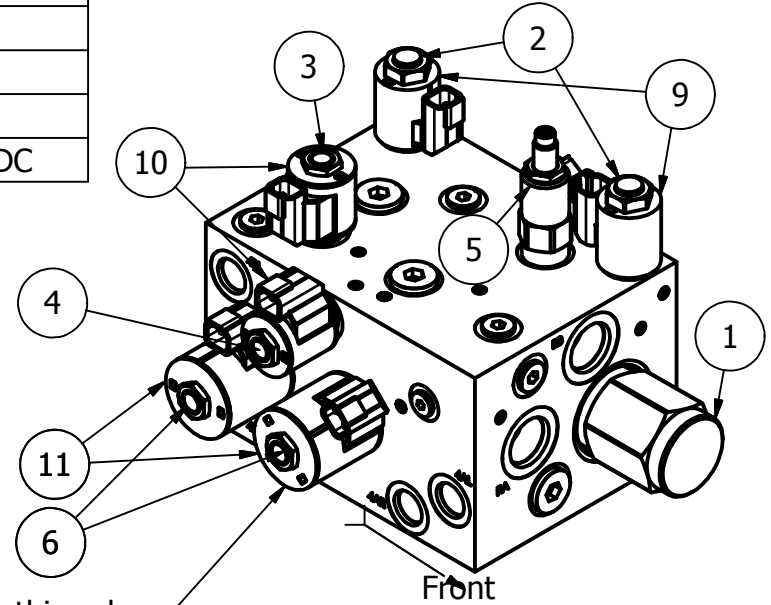
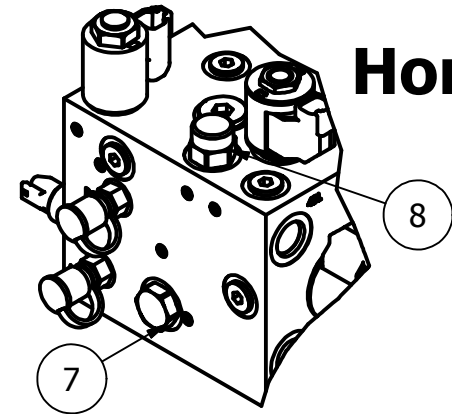
(Complete Assy 1490-5870)

Back



PARTS LIST			
ITEM	QTY	PART NUMBER	DESCRIPTION
1	1	1490-6302	Main 4-way control valve
2	2	1490-5916	EHPR Proportional Relief
3	1	1490-6305	#8 Prop. Valve
4	1	1490-6306	#8 Cartridge Valve
5	1	1490-5925	Relief Valve Main
6	2	1490-5918	Size 10 2-Way
7	1	1490-6569	Shuttle Valve
8	1	1490-6199	Flow Regulator 1.25 gal/min
9	2	1490-5917	EHPR #8 Coil
10	2	1490-6248	12VDC #8 ER Coil
11	2	1490-6588	SV Coil
12	1	1490-6225	#10 Orifice Disk .125
13	2	1490-5998	Transducer 0-6000 5VDC

Home



1490-6225 orifice under this valve

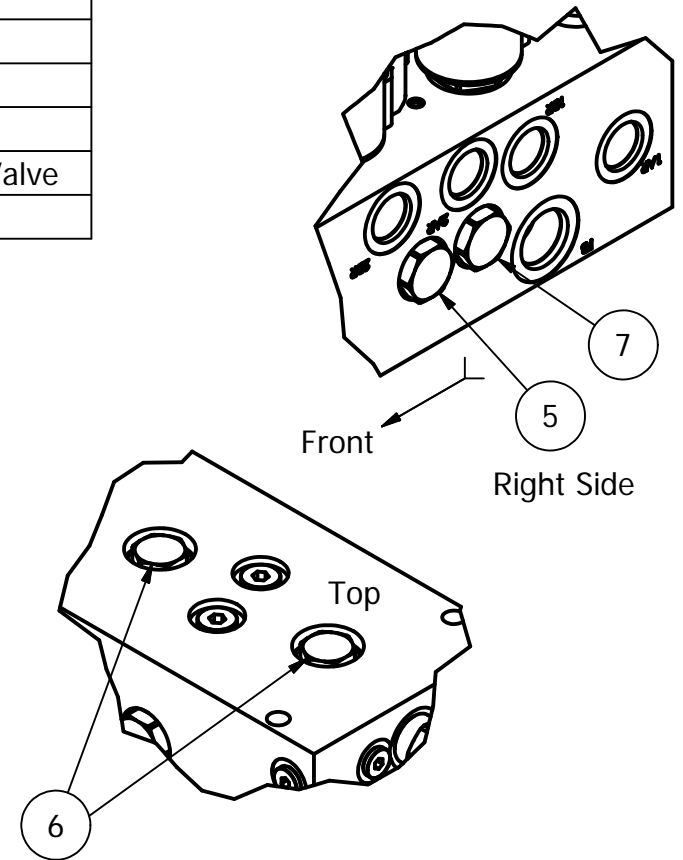
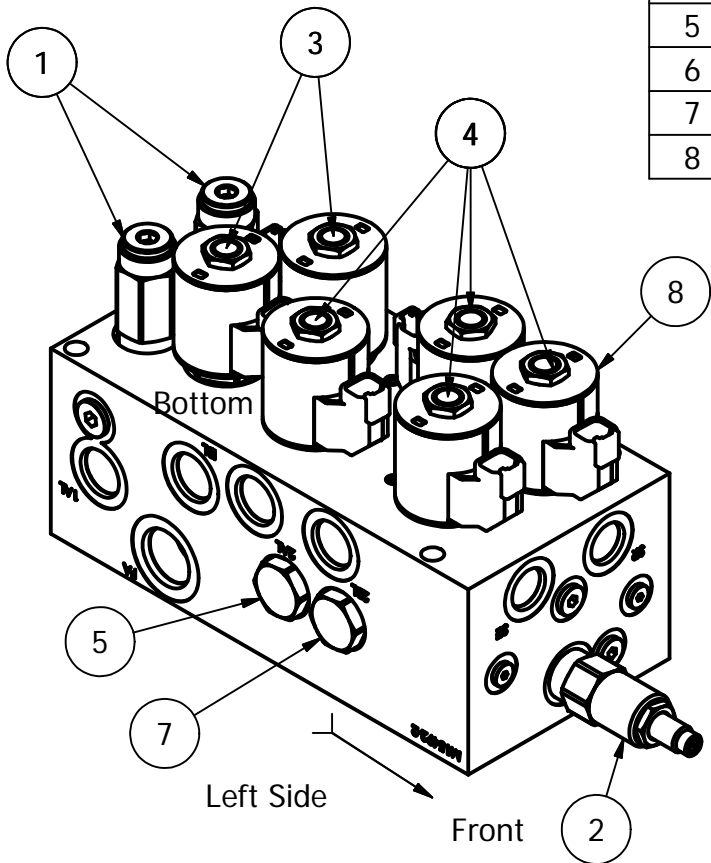
Frontend Control Valve

(1490-5871)

PARTS LIST			
ITEM	QTY	PART NUMBER	DESCRIPTION
1	2	1490-5926	Relief Valve Front Down
2	1	1490-5924	Relief Valve Front/Rear
3	2	1490-5919	Size 12 2-Way
4	4	1490-5918	Size 10 2-Way
5	2	1490-5922	Size 10 Check Valve
6	2	1490-5923	Size 08 Check Valve
7	2	1490-5921	Pilot Check Cartridge Valve
8	6	1490-5920	SV Coil

Back

Home



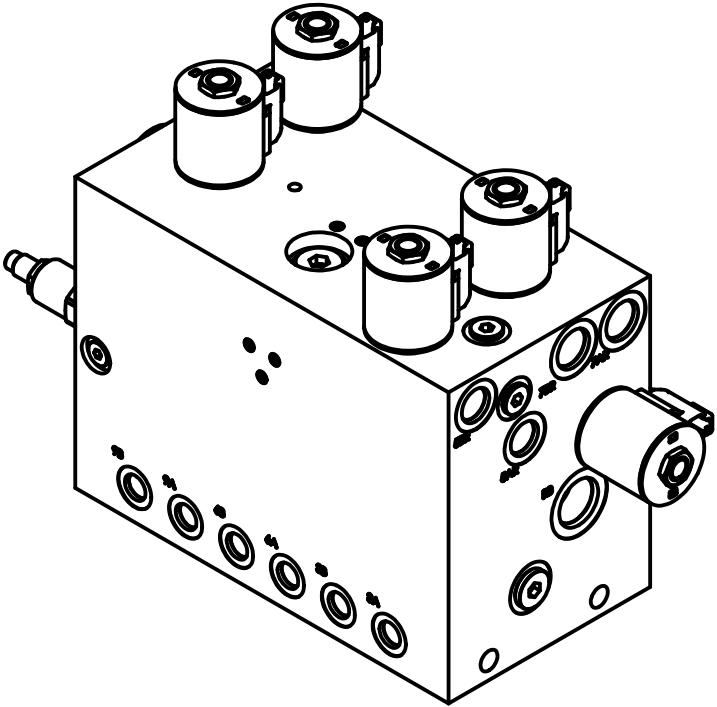
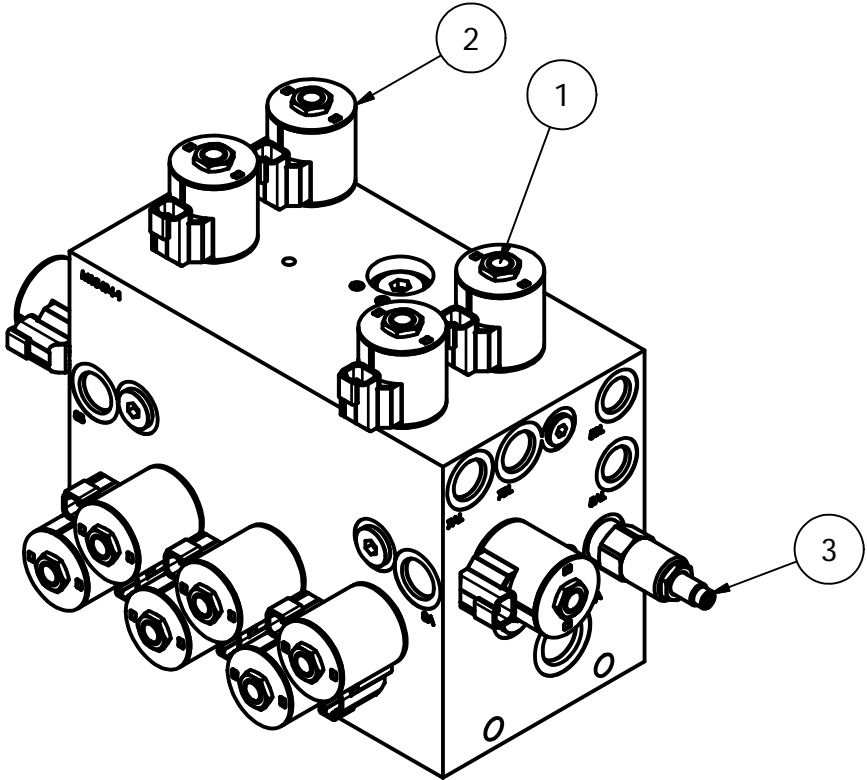
Rear Control Valve

(1490-5873)

Back

PARTS LIST			
ITEM	QTY	PART NUMBER	DESCRIPTION
1	12	1490-5918	Size 10 2-Way
2	12	1490-5920	SV Coil
3	1	1490-5924	Relief Valve Front/Rear

Home



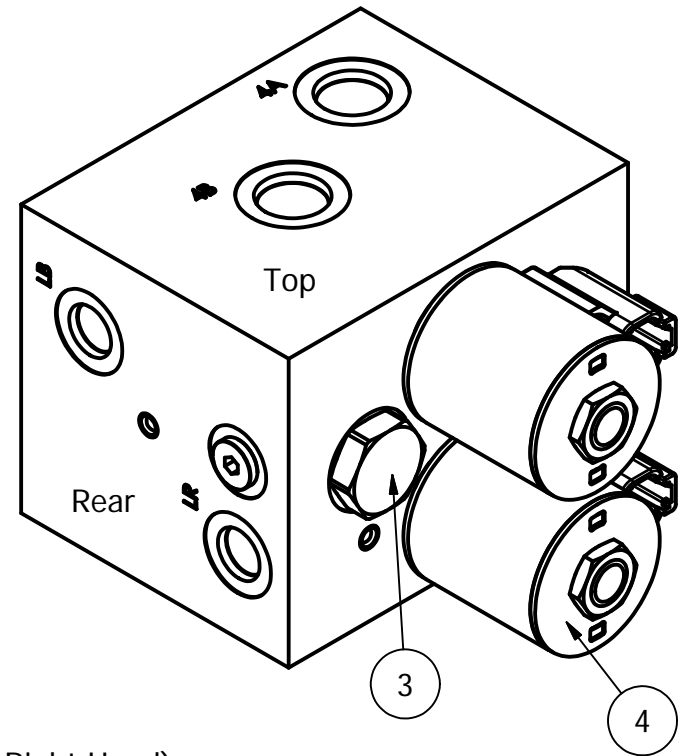
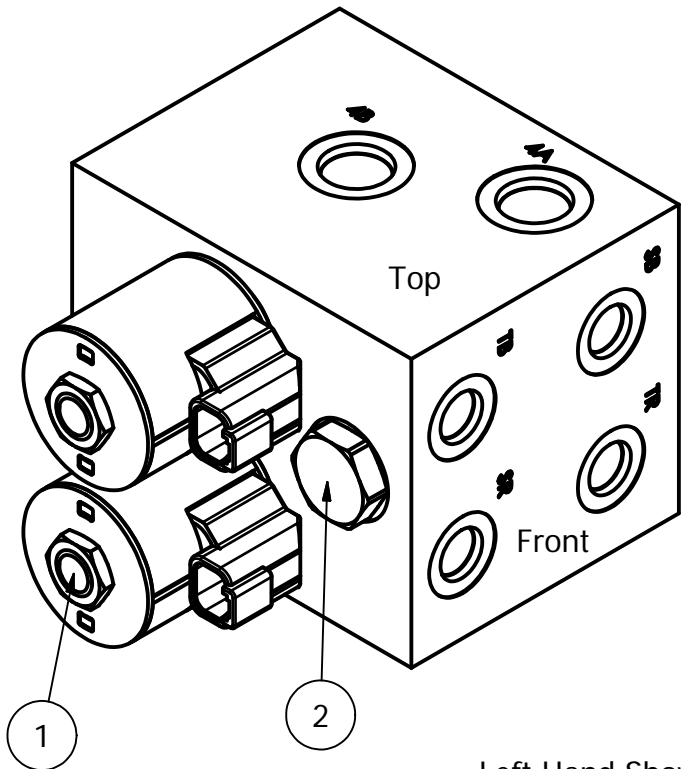
1/4 Turn Control Valve

(1490-5872 Complete Assy)

Back

Home

PARTS LIST			
ITEM	QTY	PART NUMBER	DESCRIPTION
1	2	1490-5918	Size 10 2-Way
2	1	1490-5922	Size 10 Check Valve
3	1	1490-5921	Pilot Check Cartridge Valve
4	2	1490-6588	SV Coil



Left Hand Shown (Ports 4A & 4B plumb on opposite side for Right Hand)

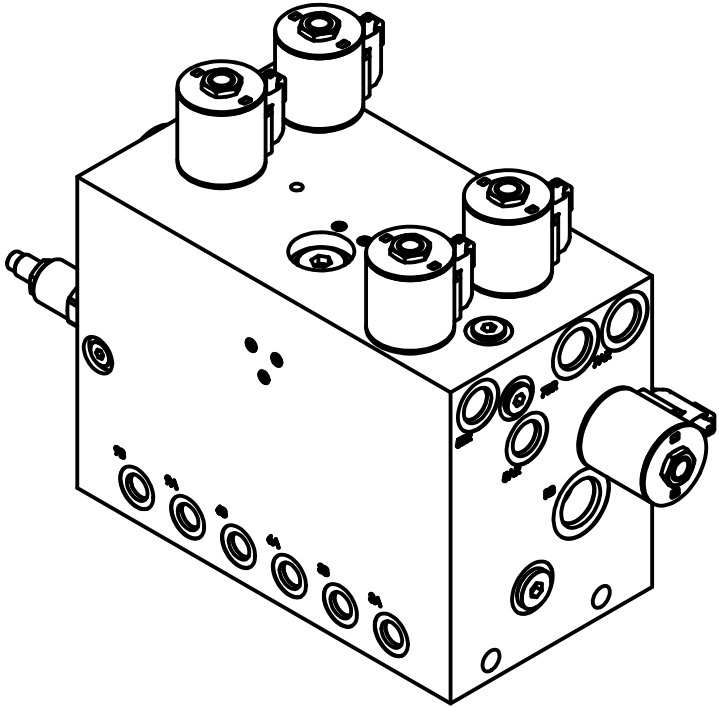
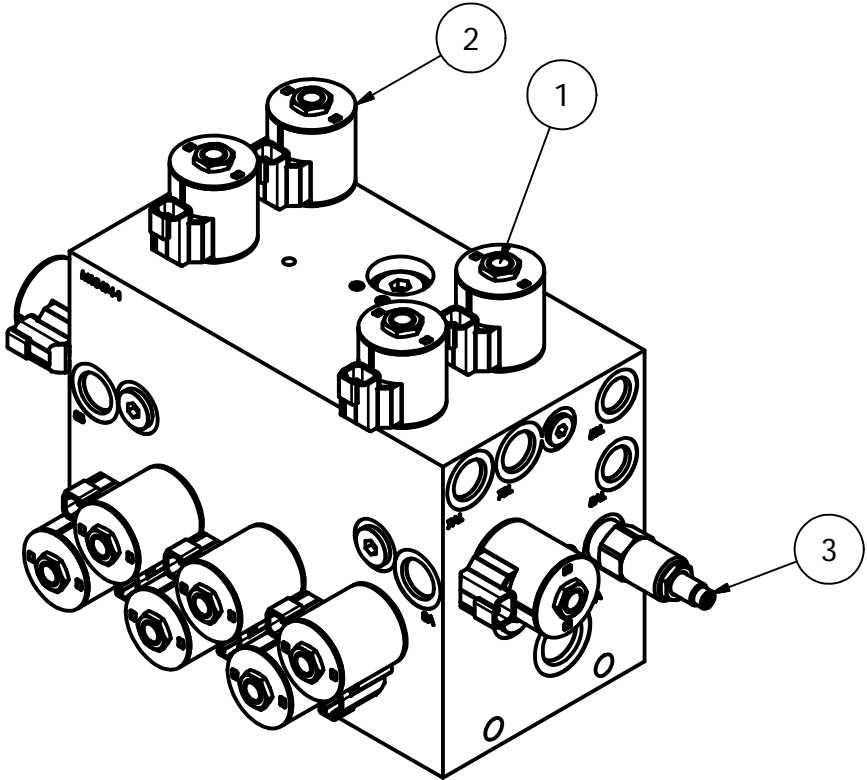
Rear Control Valve

(1490-5873)

Back

PARTS LIST			
ITEM	QTY	PART NUMBER	DESCRIPTION
1	12	1490-5918	Size 10 2-Way
2	12	1490-5920	SV Coil
3	1	1490-5924	Relief Valve Front/Rear

Home



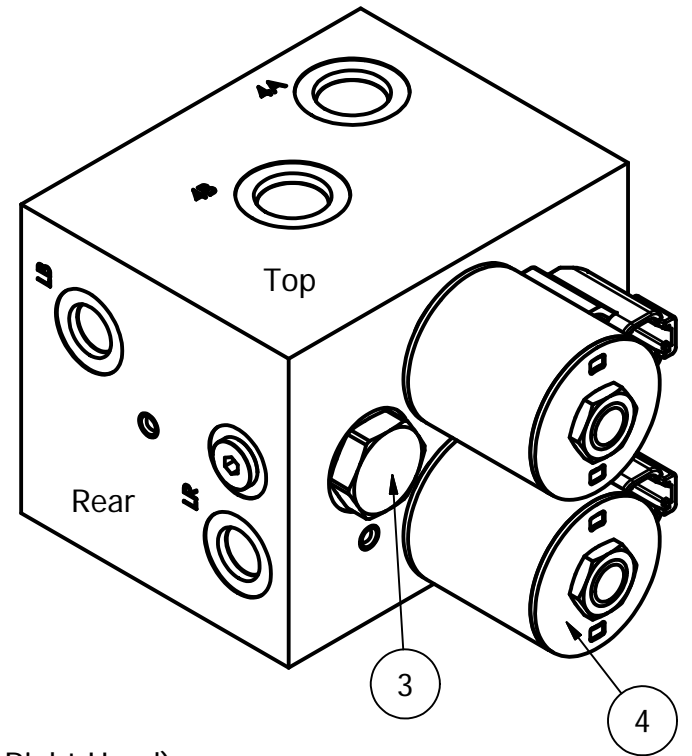
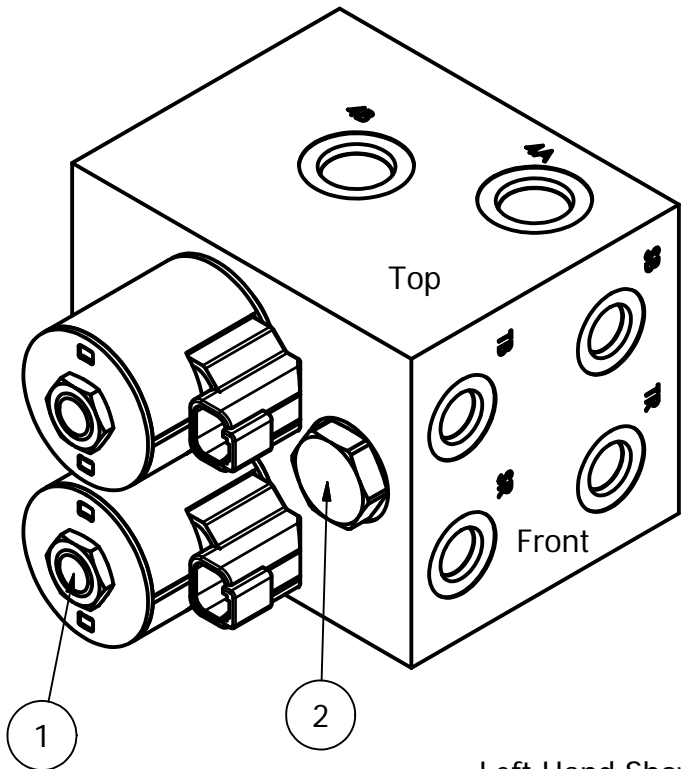
1/4 Turn Control Valve

(1490-5872 Complete Assy)

Back

Home

PARTS LIST			
ITEM	QTY	PART NUMBER	DESCRIPTION
1	2	1490-5918	Size 10 2-Way
2	1	1490-5922	Size 10 Check Valve
3	1	1490-5921	Pilot Check Cartridge Valve
4	2	1490-6588	SV Coil



Left Hand Shown (Ports 4A & 4B plumb on opposite side for Right Hand)

1/4 Turn Detail

Back

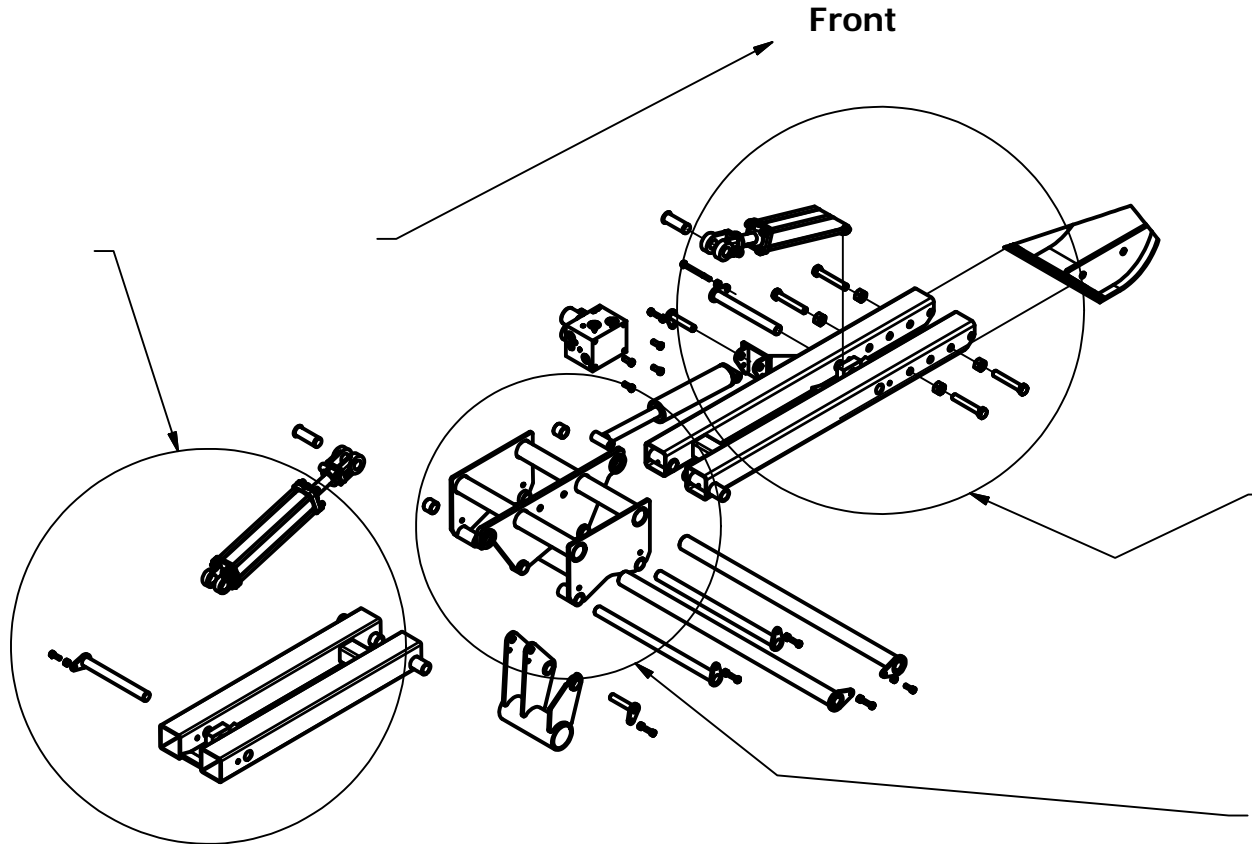
Home

1/4 Turn
Detail A

1/4 Turn
Cylinders

1/4 Turn
Detail C

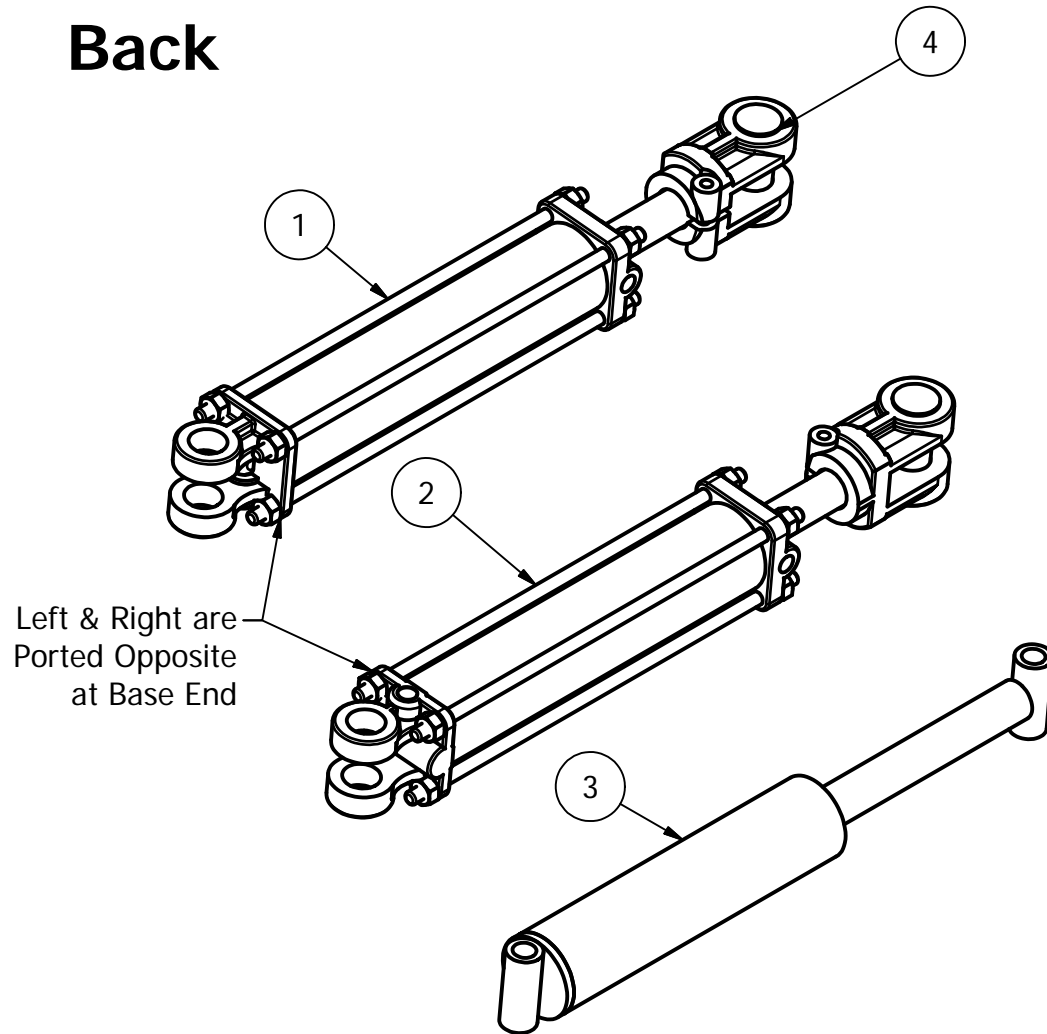
1/4 Turn
Detail B



1/4 Turn Cylinders

Back

Home



PARTS LIST			
ITEM	QTY	PART NUMBER	DESCRIPTION
1	2	1490-5146	RF & LR 1/4 Turn Cyl
2	2	1490-5145	LF & RR 1/4 Turn Cyl.
3	2	2414A2	Grapple Cylinder Assembly
4	4	1490-4566	1 X 2-3/4 Cylinder Pin
5	4	Cotter Pin	1/8 X 1-3/8 Cotter Pin

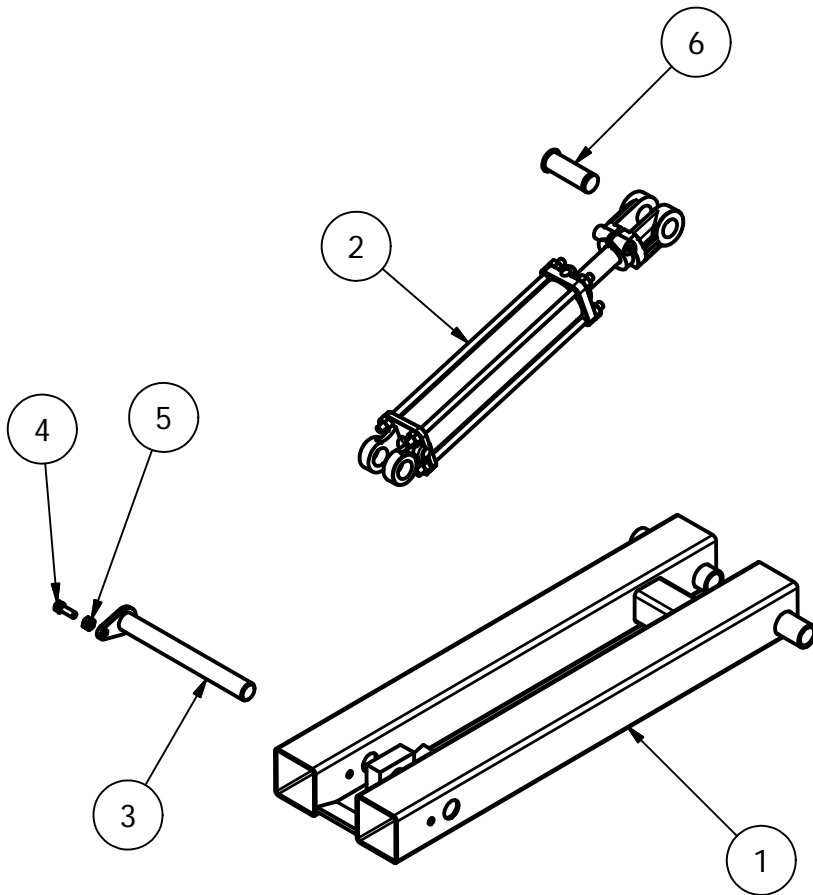
**1490-5145 & 1490-5146 Use
Seal Kit # 1490-4627**

**The 2414A2 Cylinder Uses
Seal Kit #1490-6391**

1/4 Turn Detail A

Back

Home

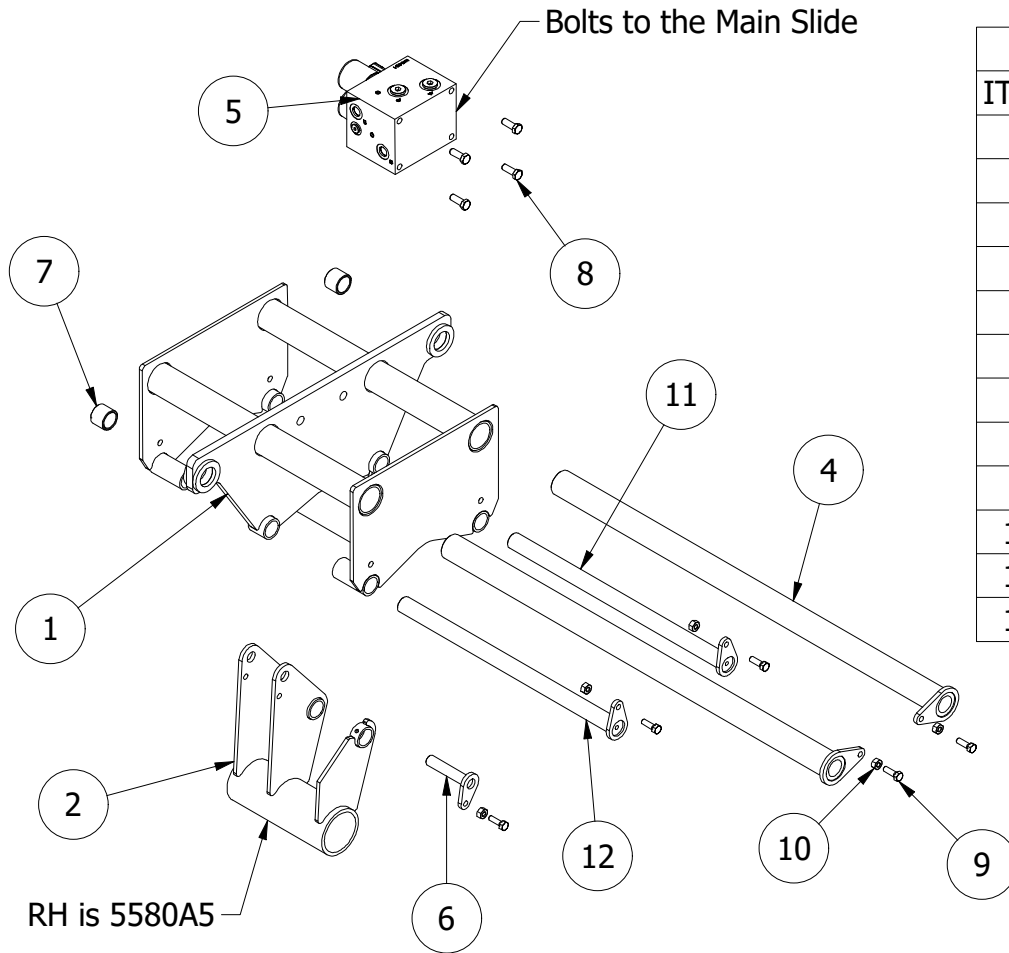


PARTS LIST			
ITEM	QTY	PART NUMBER	DESCRIPTION
1	2	5580A4	500 Series Let Down Arm Assembly
2	2	1490-5146	RF & LR 1/4 Turn Cyl
3	4	5580A7	Cylinder Pin Assy
4	14	5/16-18 X 1	Hex Bolt
5	16	5/16 - 18	Hex Nut
6	4	1490-4566	1 X 2-3/4 Cylinder Pin

1/4 Turn Detail B

Back

Home



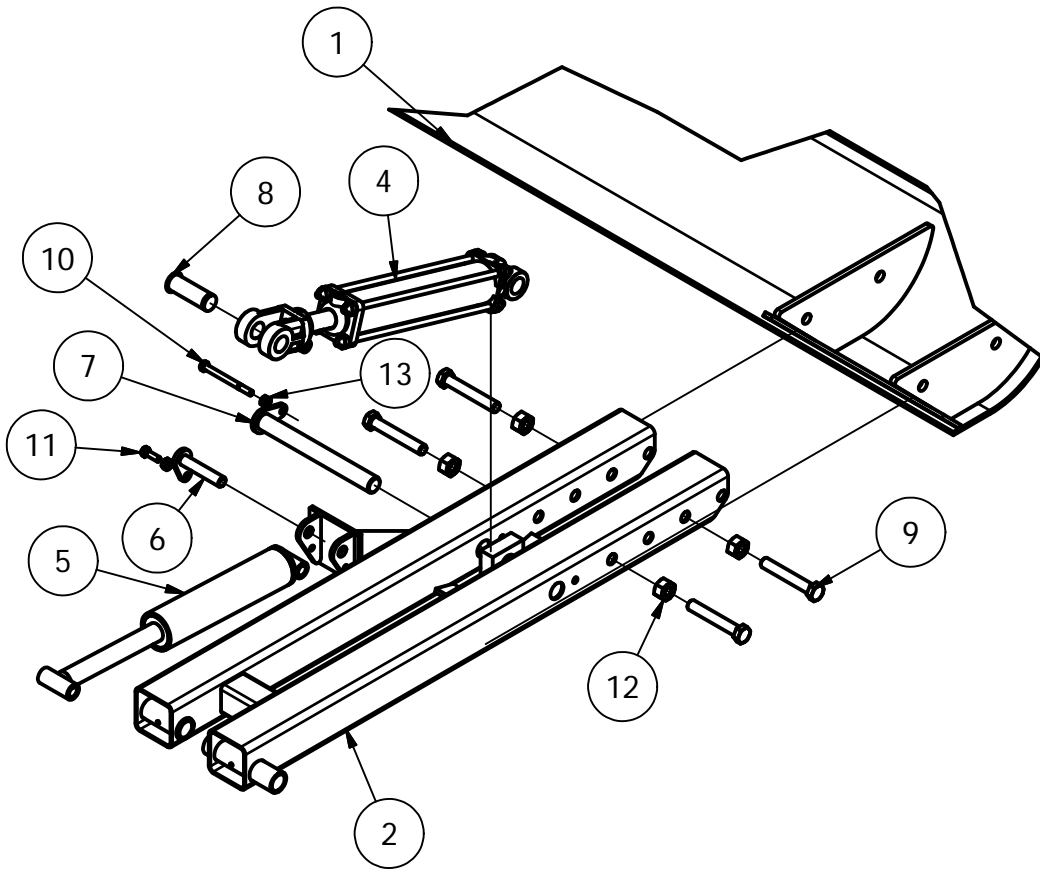
PARTS LIST			
ITEM	QTY	PART NUMBER	DESCRIPTION
1	2	5580A1	1/4 Turn Letdown Main Pivot Assembly
2	1	5580A9	LH 1/4 Turn Stop
3	1	5580A5	RH 1/4 Turn Stop (Not Shown)
4	4	5580A8	1/4 Turn & Letdown Mounting Shaft Assembly
5	2	1490-5872	1/4 Turn Control Valve
6	4	5580A11	1/4 Turn Bale Stop Cylinder Mounting Pin Assy
7	4	14902030	Wear Bushing
8	8	3/8 X 1	Bolt
9	14	5/16-18 X 1	Hex Bolt
10	16	5/16 - 18	Hex Nut
11	2	5580A15	1/4 Turn Auto-Lube Pin (Raise) (Front)
12	2	5580A16	1/4 Turn Auto-Lube Pin (Letdown) (Back)

Control Valve Detail

1/4 Turn Detail C

Back

Home



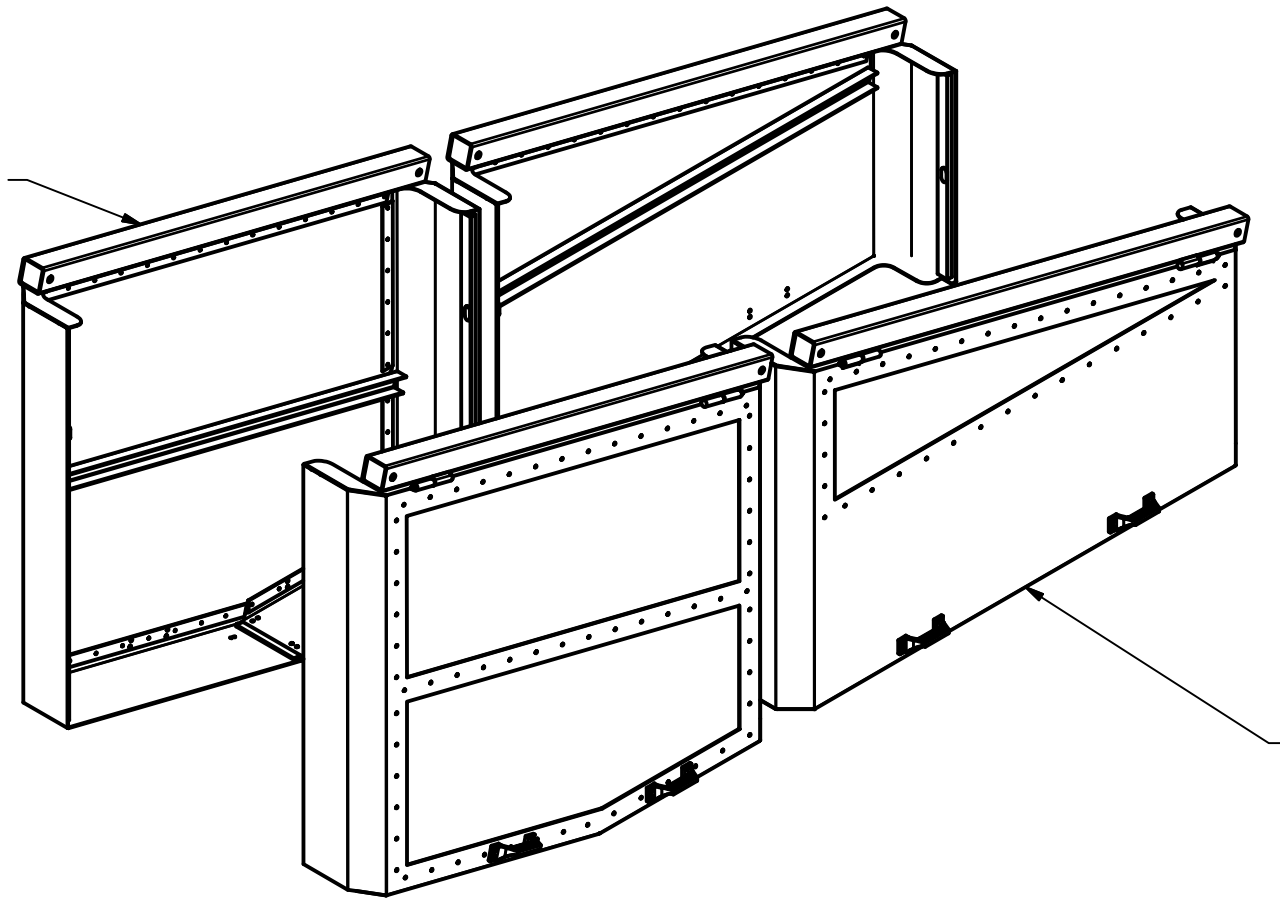
PARTS LIST			
ITEM	QTY	PART NUMBER	DESCRIPTION
1	1	5580A10	1/4 Turn Nose Cap Assembly
2	1	5580A3	LH 1/4 Turn Arm Assy
3	1	5580A2	RH 1/4 Turn Arm Assy (Not Shown)
4	2	1490-5145	LF & RR 1/4 Turn Cyl.
5	2	2414A2	Grapple Cylinder Assembly
6	4	5580A11	Bale Stop Cyl Mount Pin Assy
7	4	5580A7	Cylinder Pin Assy
8	4	1490-4566	1 X 2-3/4 Cylinder Pin
9	8	5/8 X 4 Bolt	5/8 X 4 Bolt
10	2	5/16 X 3-3/4	5/16 X 3-3/4 Hex Bolt
11	14	5/16-18 X 1	Hex Bolt
12	8	5/8 Nut	5/8 Hex Nut
13	16	5/16 - 18	Hex Nut

Cage and Engine Doors

Back

Home

Cage
Doors

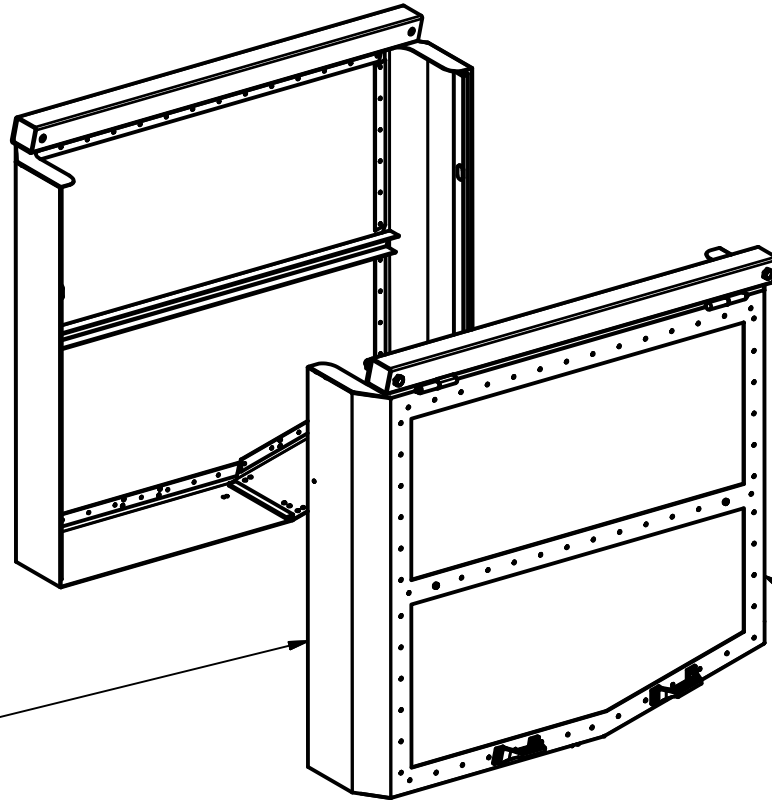


Engine
Doors

Cage Doors

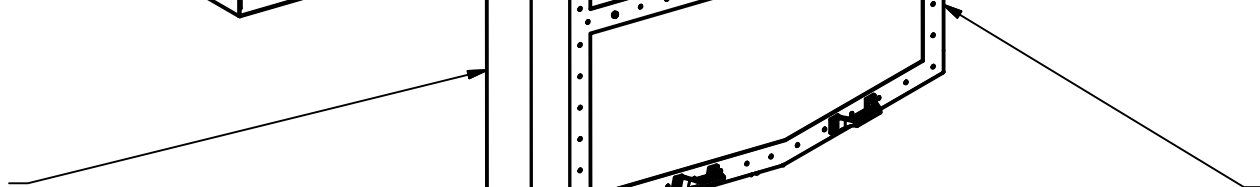
Back

Home



Cage Door
Detail A

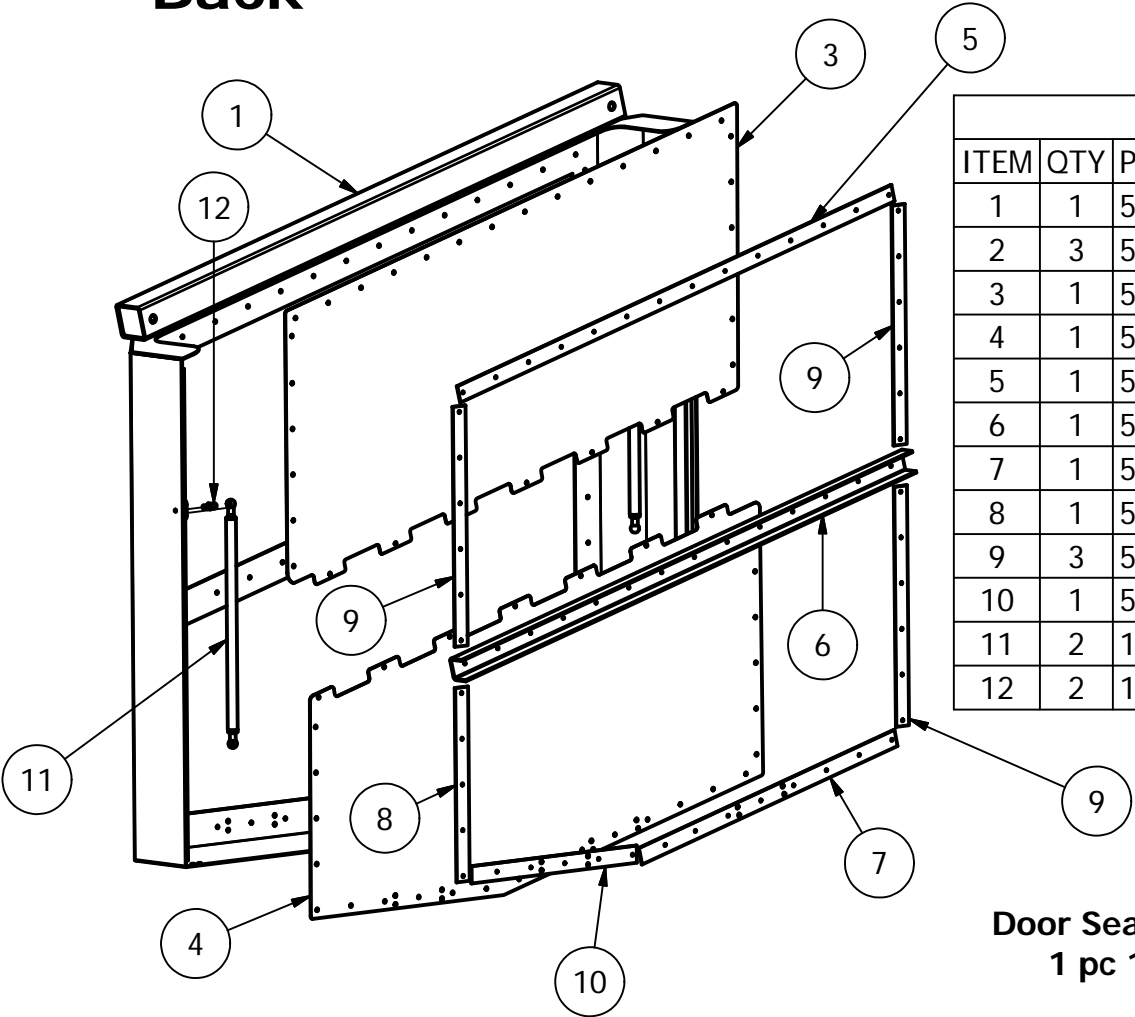
Cage Door
Detail B



Cage Door Detail B

Back

Home



PARTS LIST			
ITEM	QTY	PART NUMBER	DESCRIPTION
1	1	5550A2	LH Cage Door Assy (Shown)
2	3	5550A1	RH Cage Door Assy (Not Shown)
3	1	5550-321	500 Series Top Cage Door Screen
4	1	5550-320	500 Series Bottom Cage Door Screen
5	1	5550-313	Cage Door Screen Top Mounting Strap
6	1	5550-305	Cage Door Middle Screen Support
7	1	5550-310	Cage Door Lower Front Screen Mounting Strap
8	1	5550-311	Cage Door Screen Rear Top Mounting Strap
9	3	5550-312	Cage Door Screen Front Mounting Strap
10	1	5550-309	Cage Door Screen Lower Rear Mounting Strap
11	2	1490-1149	15" - 110# Gas Spring
12	2	1490-2484	13mm Ball Stud

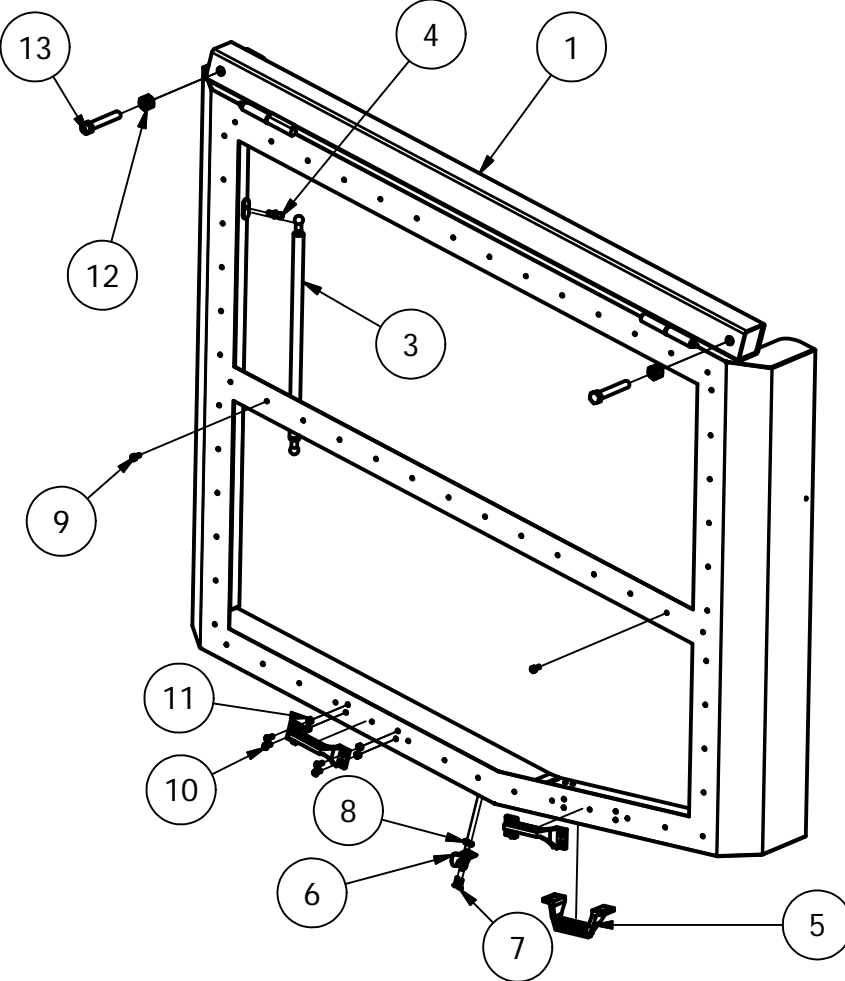
Detail A

Door Seal 1490-4951
1 pc 160" long

Cage Door Detail A

Back

Home



PARTS LIST			
ITEM	QTY	PART NUMBER	DESCRIPTION
1	1	5550A2	LH Cage Door Assy (Shown)
2	1	5550A1	RH Cage Door Assy (Not Shown)
3	2	1490-1149	15" - 110# Gas Spring
4	2	1490-2484	13mm Ball Stud
5	3	14902450	Plastic Grab Handle
6	1	Latch Reciever	Order Part #1490-4985
7	2	10-24 X 3/4	10-24 X 3/4
8	2	10-24	Machine Nut
9	2	1/4 X 3/4	Self Tapping Screw
10	4	1/4-20 X 3/4	Pan Head Screw
11	4	1/4-20	Hex Nut
12	2	5/8 Nut	5/8 Hex Nut
13	2	5/8 X 4-1/2	Hex Bolt

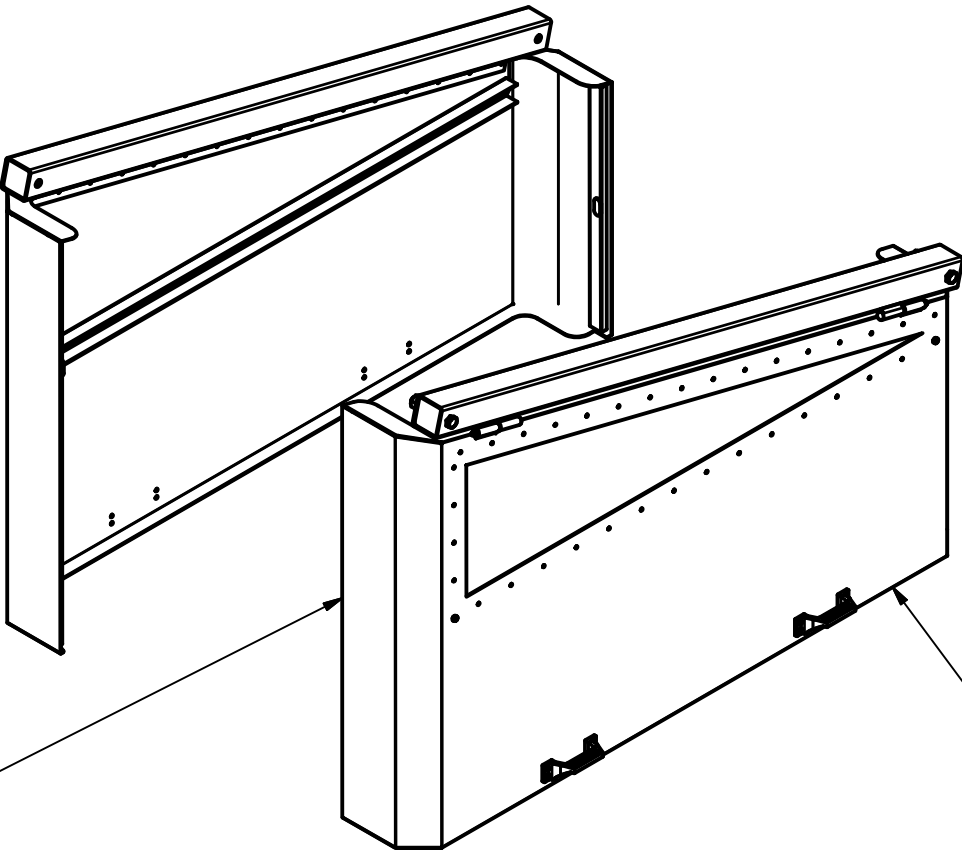
Detail B

Door Seal 1490-4951
1 pc 160" long

Engine Doors

Back

Home



Engine Door
Detail A

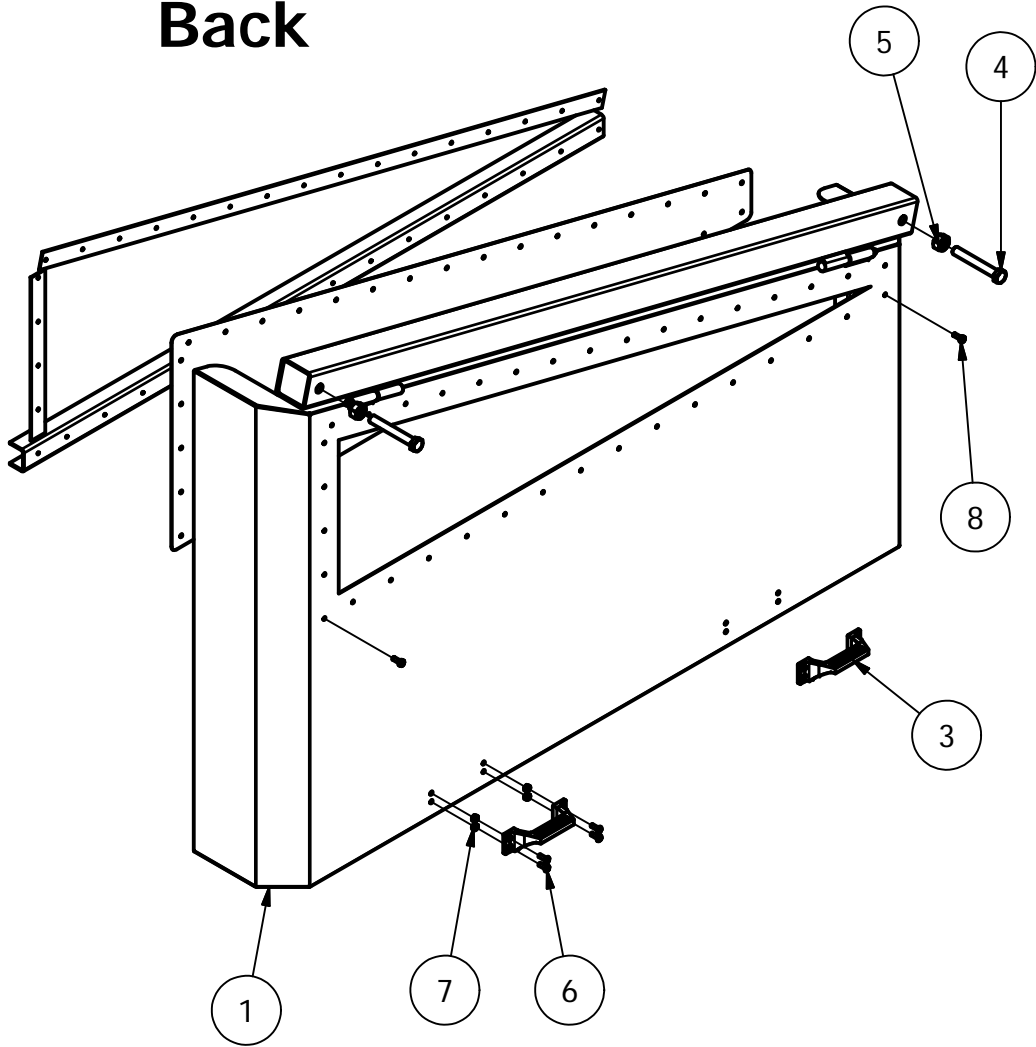
Engine Door
Detail B



Engine Doors Detail A

Back

Home



PARTS LIST			
ITEM	QTY	PART NUMBER	DESCRIPTION
1	1	5550A4	LH Engine Door Assy (Shown)
2	1	5550A3	RH Engine Door Assy (Not Shown)
3	2	14902450	Plastic Grab Handle
4	2	5/8 X 4-1/2	Hex Bolt
5	2	5/8 Nut	5/8 Hex Nut
6	8	1/4-20 X 3/4	Pan Head Screw
7	8	1/4-20	Hex Nut
8	36	1/4 X 3/4	Self Tapping Screw

(Quantity shown per door)

Safety Edge 1490-2027
1 pc 78" long

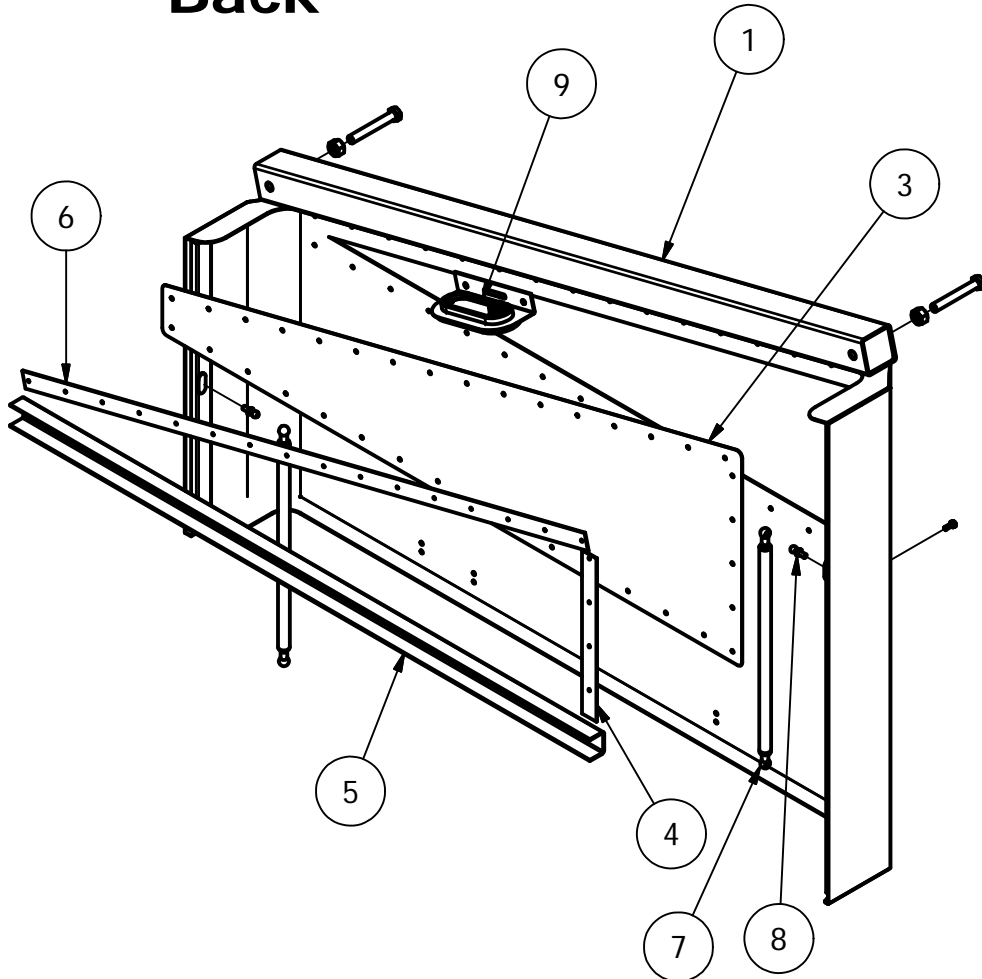
Door Seal 1490-4951
1 pc 44" & 1 pc 27"

Detail B

Engine Door Detail B

Back

Home



PARTS LIST			
ITEM	QTY	PART NUMBER	DESCRIPTION
1	1	5550A4	LH Engine Door Assy (Shown)
2	1	5550A3	RH Engine Door Assy (Not Shown)
3	1	5550-322	500 Series Engine Door Screen
4	1	5550-307	Engine Door Screen Front Mounting Strap
5	1	5550-304	Engine Door Bottom Screen Support
6	1	5550-306	Engine Door Top Screen Mounting Strap
7	2	1490-1149	15" - 110# Gas Spring
8	2	Ball Stud	13mm Ball Stud
9	1	1490-6321	Compartment Work Light

(Quantity shown per door)

Safety Edge 1490-2027
1 pc 78" long

Door Seal 1490-4951
1 pc 44" & 1 pc 27"

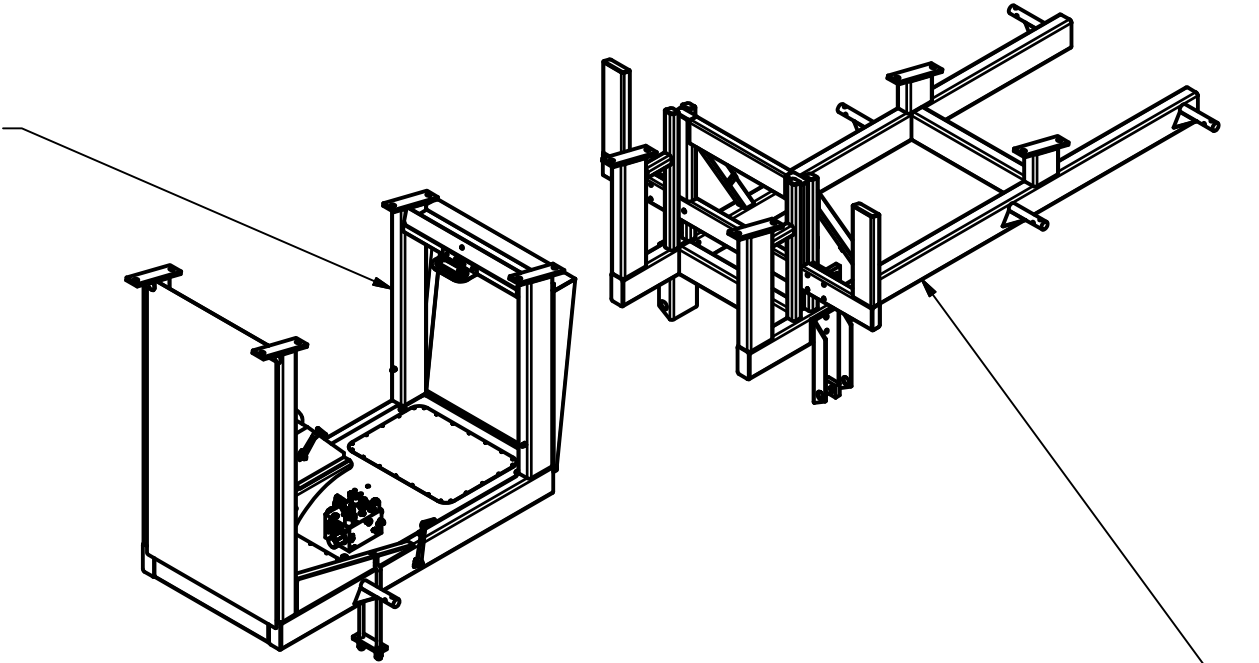
Detail A

Subframes

Back

Home

Front
Subframe

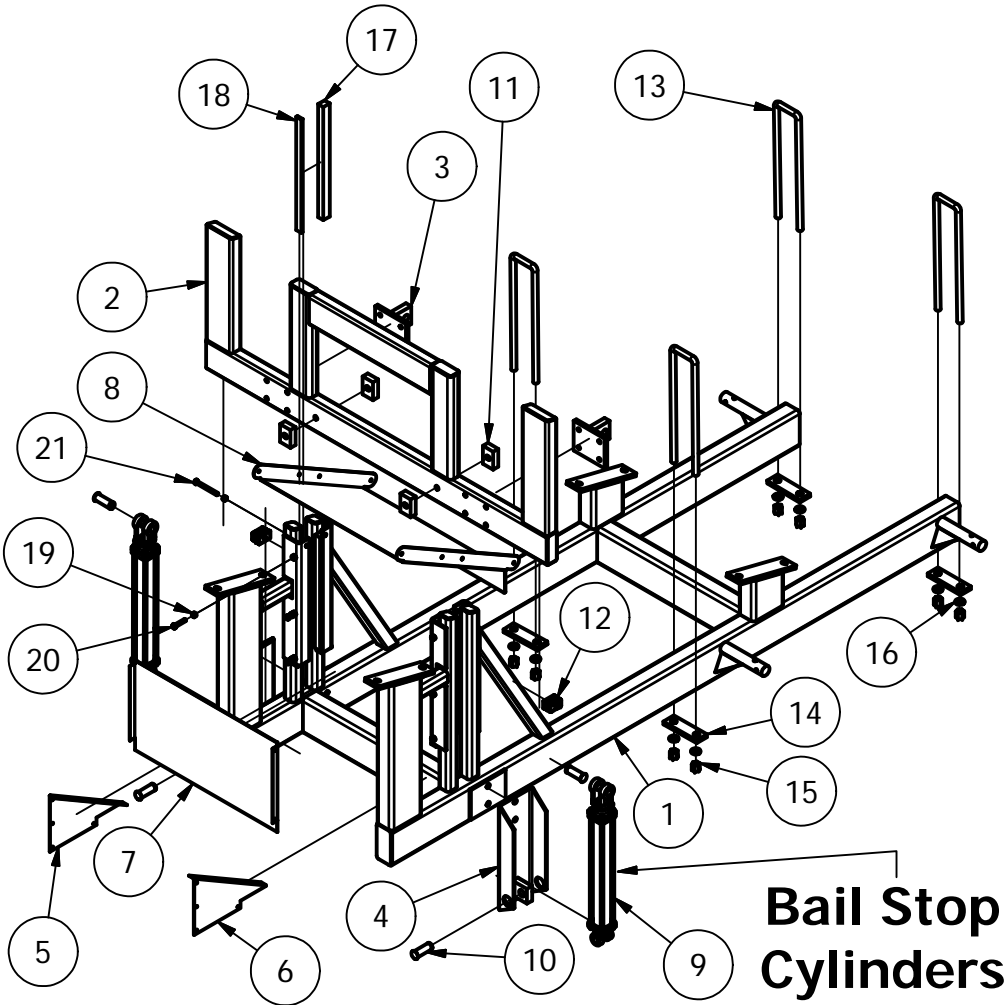


Rear
Subframe

Rear Sub-Frame Detail

Back

Home



PARTS LIST			
ITEM	QTY	PART NUMBER	DESCRIPTION
1	1	6550AMR3	Rear Stacking Sub-Frame Assy
2	1	6562A	Bale Stop for Dual Cylinders
3	2	2465A	Bale Stop Cylinder Mount
4	2	6552A	Dual Bale Stop Cylinder Lower Mount
5	1	5550-332	Rear Engine Compartment Side Screen RH
6	1	5550-333	Rear Engine Compartment Side Screen LH
7	1	5550-334	Rear Engine Compartment Screen
8	1	6550-248	Bale Stop Deflector Shield New Style
9	2	See Detail	Bale Stop Cylinder (Varies*)
10	4	1490-4566	1 X 2-3/4 Cylinder Pin
11	4	2460-399	Bale Stop Poly Block
12	2	KIT-DBL-.375	3/8" Double Hose Clamp
13	4	1490-2015	3/4x3-1/2x19 U-Bolts SQ Top
14	4	1400-110	U-Bolt Plate
15	8	1490-2017	HiNuts for U-Bolts
16	8	3/4 Lock Washer	Helical Spring Lock Washers
17	4	6550-105	Bale Stop Poly Wear Block (Long)
18	4	6550-107	Poly Support Plate
19	16	3/8 UNC	3/8" Nut
20	12	3/8 x 2	3/8" Bolt
21	4	3/8 x 4	3/8" Bolt

Bale Stop Cylinder

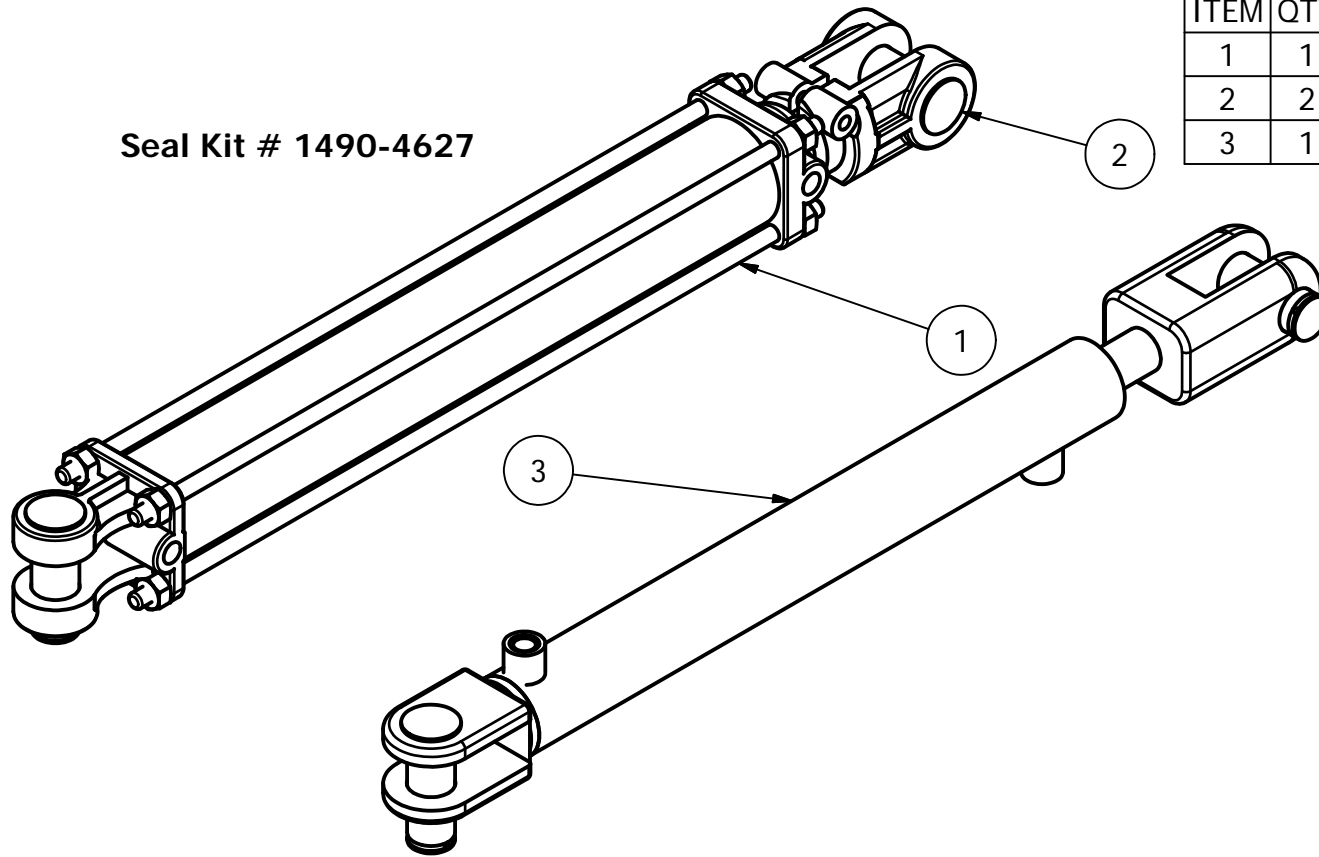
Part # 1490-5031 (Old Tie Rod Type 2 X 14)

[Back](#)

Part # 1490-5908 (New Welded Type 1- $\frac{1}{2}$ X 14)

[Home](#)

PARTS LIST			
ITEM	QTY	PART NUMBER	DESCRIPTION
1	1	1490-5031	Bale Stop 2 x 14 x 1-1/8
2	2	1490-4566	1 X 2-3/4 Cylinder Pin
3	1	1490-5908	Welded Bale Stop Cylinder



Seal Kit # 1490-4627

2

1

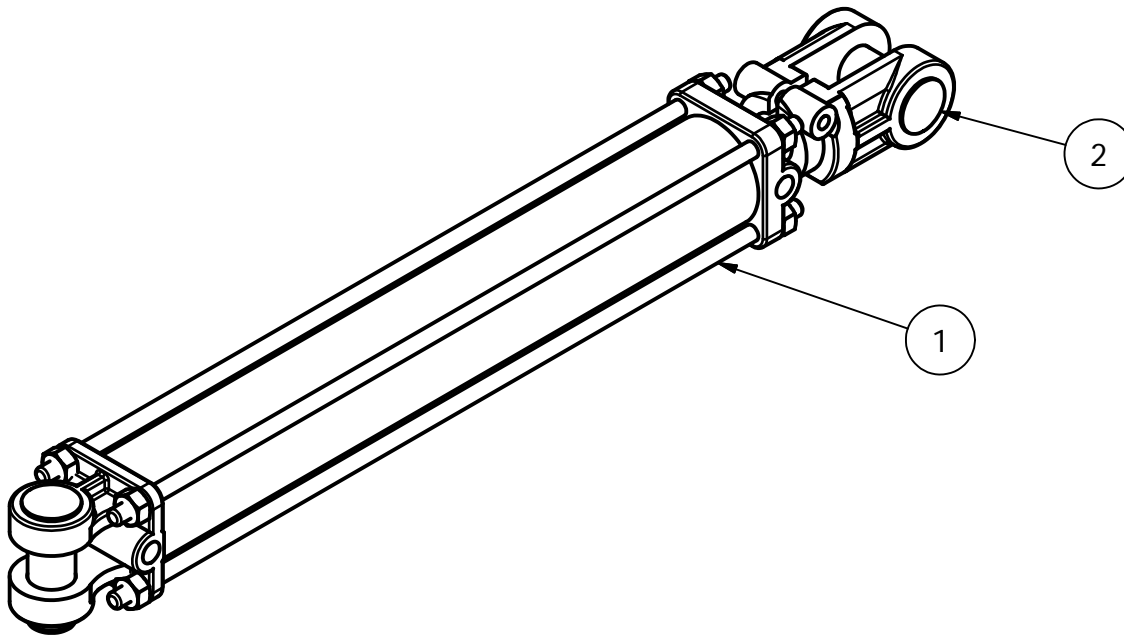
3

Bale Stop Cylinder

Part # 1490-5031

Back

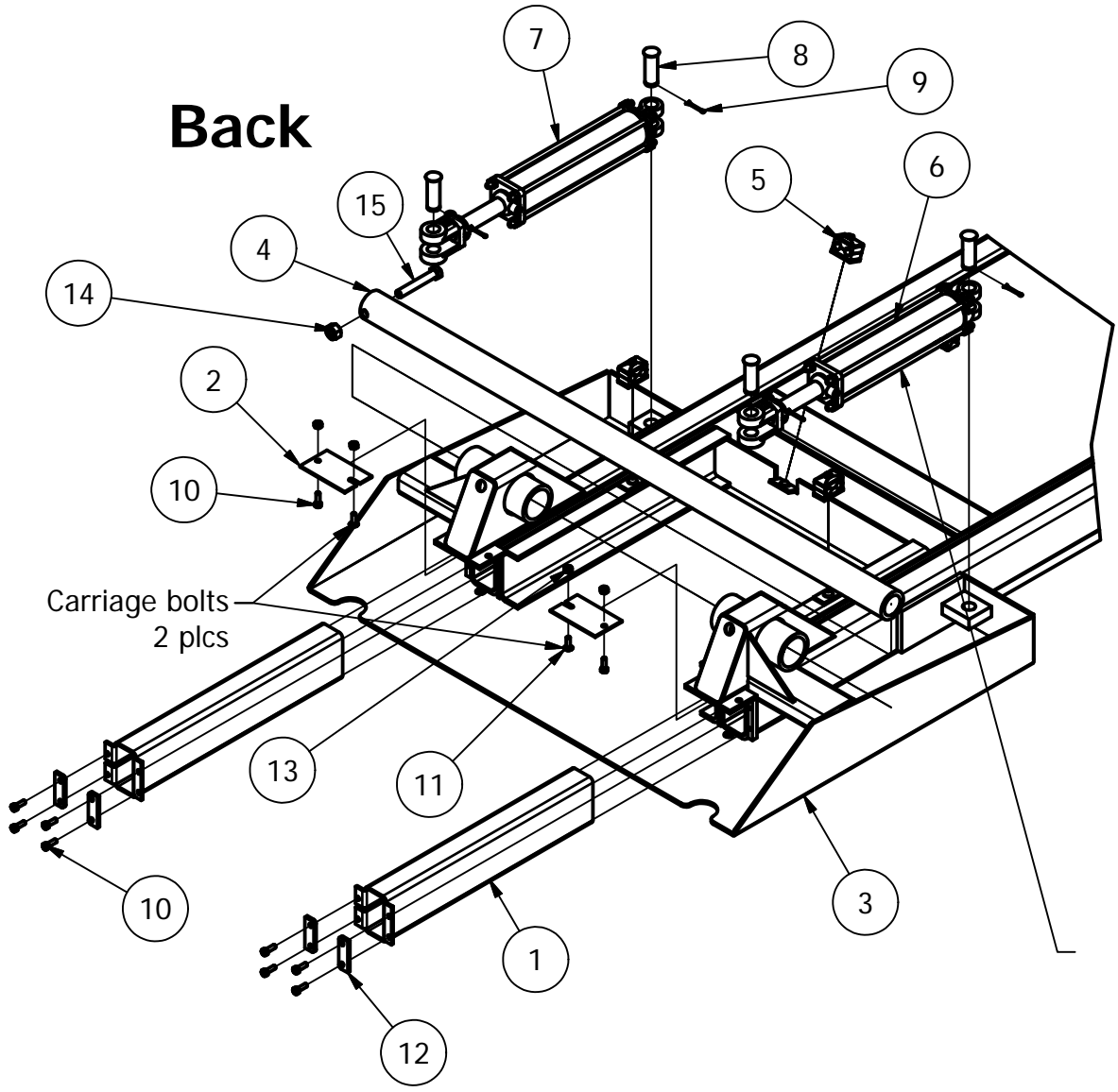
Home



PARTS LIST			
ITEM	QTY	PART NUMBER	DESCRIPTION
1	1	1490-5031	Bale Stop 2 x 14 x 1-1/8
2	2	1490-4566	1 X 2-3/4 Cyl. Pin

Seal Kit # 1490-4627

Stackframe Detail A



Home

PARTS LIST

ITEM	QTY	PART NUMBER	DESCRIPTION
1	2	2410-373	Poly Insert
2	2	2410-368	Tailgate Wear Plate
3	1	6512AG	Stackframe Weldment
4	1	2460-317	Rear Pivot Shaft
5	8	KIT-DBL-.375	3/8" Double Hose Clamp
6	1	1490-3063	LH Stackdown Cylinder
7	1	1490-3064	RH Stackdown Cylinder
8	4	2.75 Cyl Pin	
9	4	Cotter Pin	1/8 X 1-3/8 Cotter Pin
10	12	5/16-18 X 1	Hex Bolt
11	2	5/16 X 1 Carriage Bolt	5/16 X 1 Carriage Bolt
12	4	2460-320	Squeeze Poly Strap
13	4	5/16 - 18	Hex Nut
14	1	5/8 Nut	5/8 Hex Nut
15	1	5/8 X 4 Bolt	5/8 X 4 Bolt

Stackdown Cylinder Details

Front Sub-Frame Detail

Back

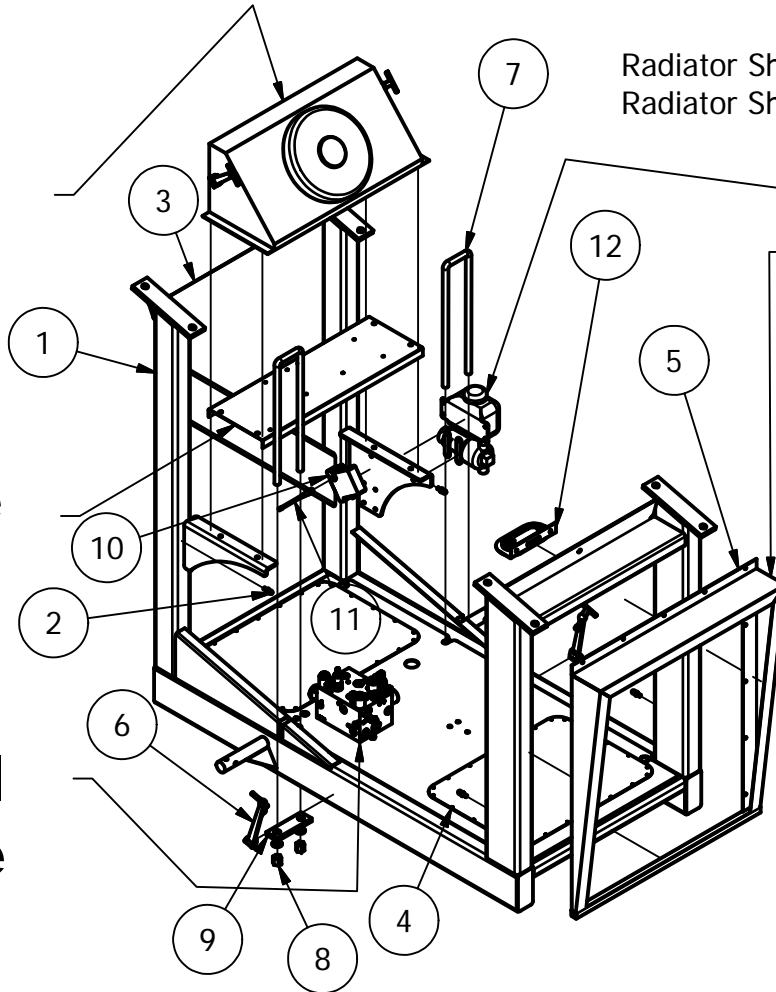
Home

A/C Detail

Oiler Detail

ECU Plate
Detail

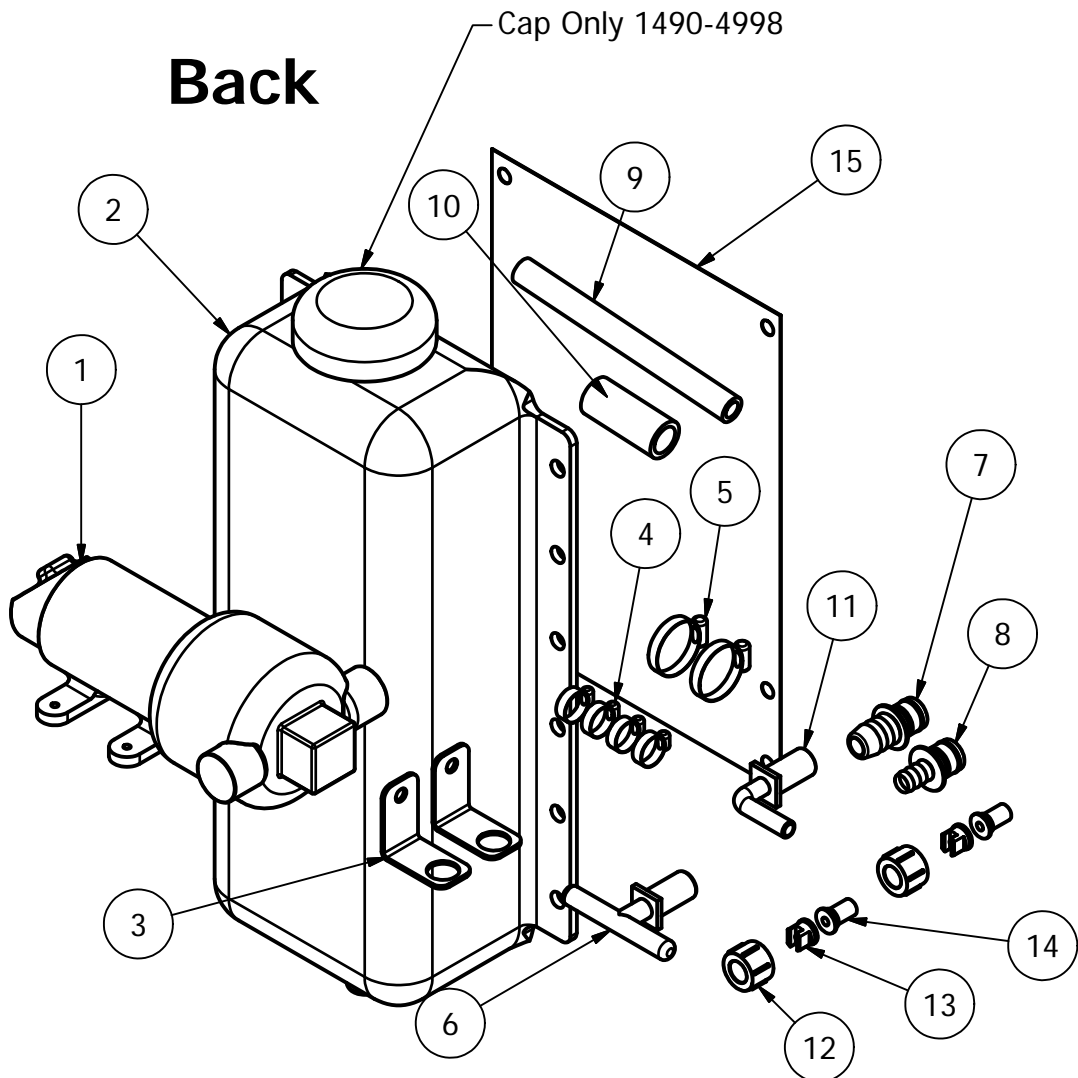
Control
Valve



Radiator Shroud Stickertite Seal Part # 1490-2020
Radiator Shroud Edge Trim Bulb Part # 1490-2021

PARTS LIST			
ITEM	QTY	PART NUMBER	DESCRIPTION
1	1	5550AMF2	Front Mid-Engine Sub-Frame Assembly
2	4	1490-2484	13mm Ball Stud
3	1	5550-318	Lower Front Cage Screen
4	2	5550-324	Cage Bottom Screen
5	1	2005A13	Radiator Shroud
6	2	1490-4985	Flexible Draw Latch T-Handle
7	2	1490-2015	3/4x3-1/2x19 U-Bolts SQ Top
8	4	1490-2017	HiNuts for U-Bolts
9	2	1400-110	U-Bolt Plate
10	1	1490-6054	Tire Pressure J1939 Gateway
11	1	1490-6057	7" Antenna for Tire Pressure Gateway
12	1	1490-6321	Compartment Work Light

Oiler Detail

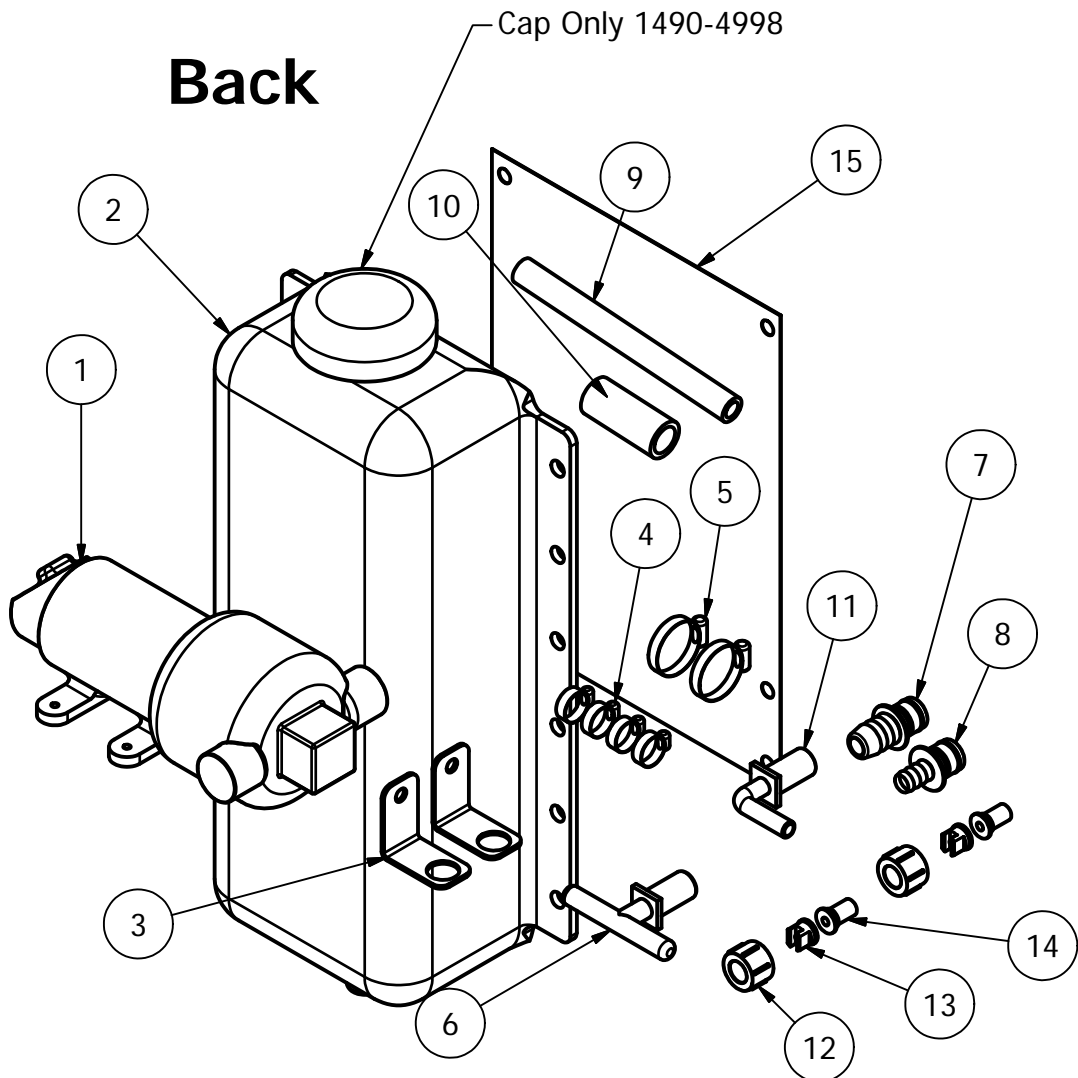


Home

PARTS LIST			
ITEM	QTY	PART NUMBER	DESCRIPTION
1	1	1490-5929	2.1 GPM Pump
2	1	1490-6598	Reservoir Six Qt. Tank
3	2	1490-5773	Spray Oiler Mount
4	4	1490-5161	Worm Gear Hose Clamp 7/16 - 11/16
5	2	1490-5444	Worm Gear Hose Clamp 9/16 - 1 1/4
6	1	1490-5475	11/16 UN x 3/8 Barb Tee
7	1	1490-5976	5/8" Hose Barb Port Fitting
8	1	1490-6267	3/8" Hose Barb Port Fitting
9	15'	1490-5176	3/8" x .594" Braided Tubing
10	2"	1490-4945	5/8' Black Heater Hose
11	1	1490-5476	11/16 UN x 3/8 Barb Elbow
12	2	1490-5477	11/16 UN Spray Nozzle Cap Nut
13	2	1490-5897	TeeJet Spray Tip
14	2	1490-5478	50 Mesh Screen w/check valve
15	1	1490-6614	Oiler Tank Support

**Oiler System uses a light weight mineral oil
1490-5912 (5-gallon) & 1490-4629 (Bulk)
(Vegetable oils will gum up and eat the paint)**

Oiler Detail

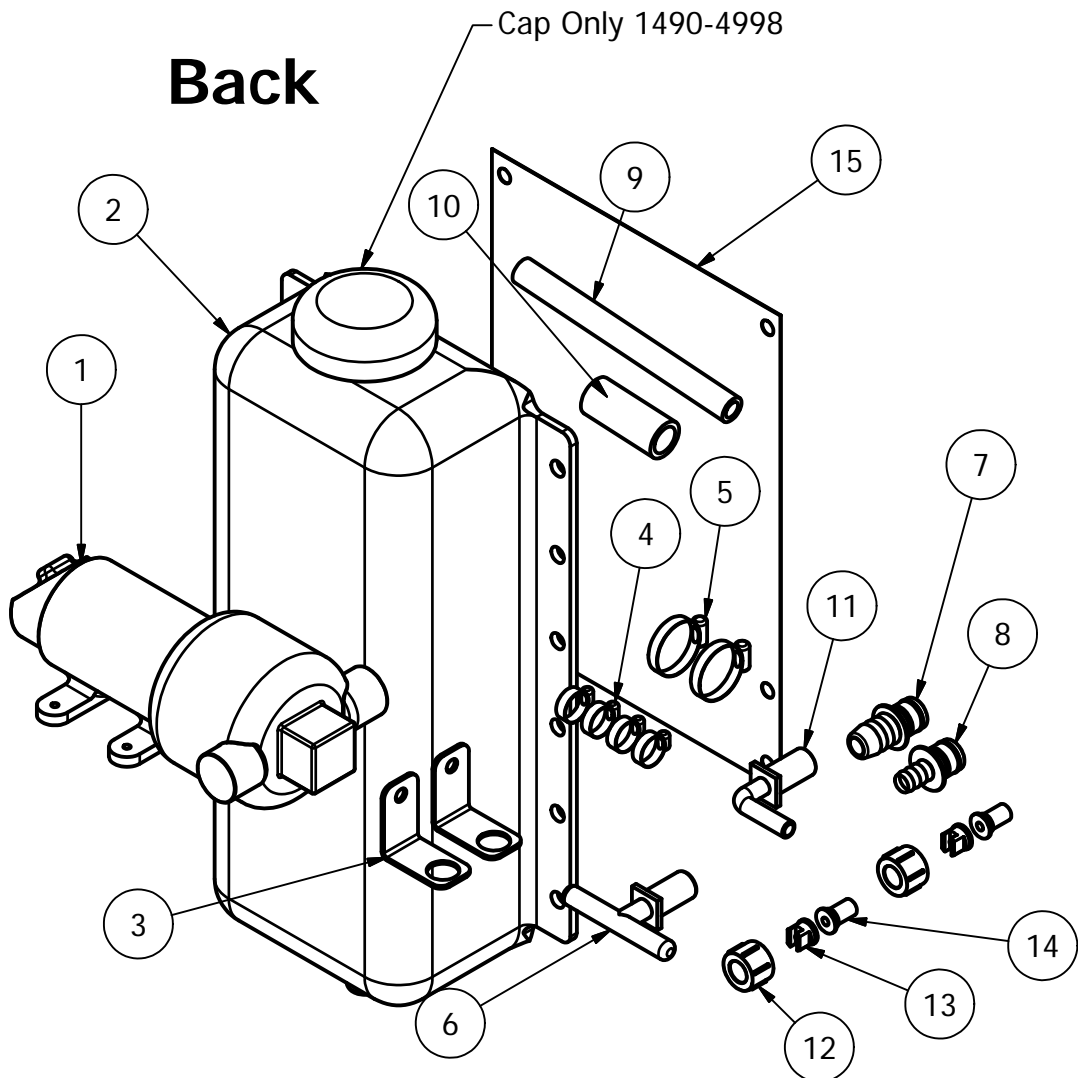


Home

PARTS LIST			
ITEM	QTY	PART NUMBER	DESCRIPTION
1	1	1490-5929	2.1 GPM Pump
2	1	1490-6598	Reservoir Six Qt. Tank
3	2	1490-5773	Spray Oiler Mount
4	4	1490-5161	Worm Gear Hose Clamp 7/16 - 11/16
5	2	1490-5444	Worm Gear Hose Clamp 9/16 - 1 1/4
6	1	1490-5475	11/16 UN x 3/8 Barb Tee
7	1	1490-5976	5/8" Hose Barb Port Fitting
8	1	1490-6267	3/8" Hose Barb Port Fitting
9	15'	1490-5176	3/8" x .594" Braided Tubing
10	2"	1490-4945	5/8' Black Heater Hose
11	1	1490-5476	11/16 UN x 3/8 Barb Elbow
12	2	1490-5477	11/16 UN Spray Nozzle Cap Nut
13	2	1490-5897	TeeJet Spray Tip
14	2	1490-5478	50 Mesh Screen w/check valve
15	1	1490-6614	Oiler Tank Support

**Oiler System uses a light weight mineral oil
1490-5912 (5-gallon) & 1490-4629 (Bulk)
(Vegetable oils will gum up and eat the paint)**

Oiler Detail



Home

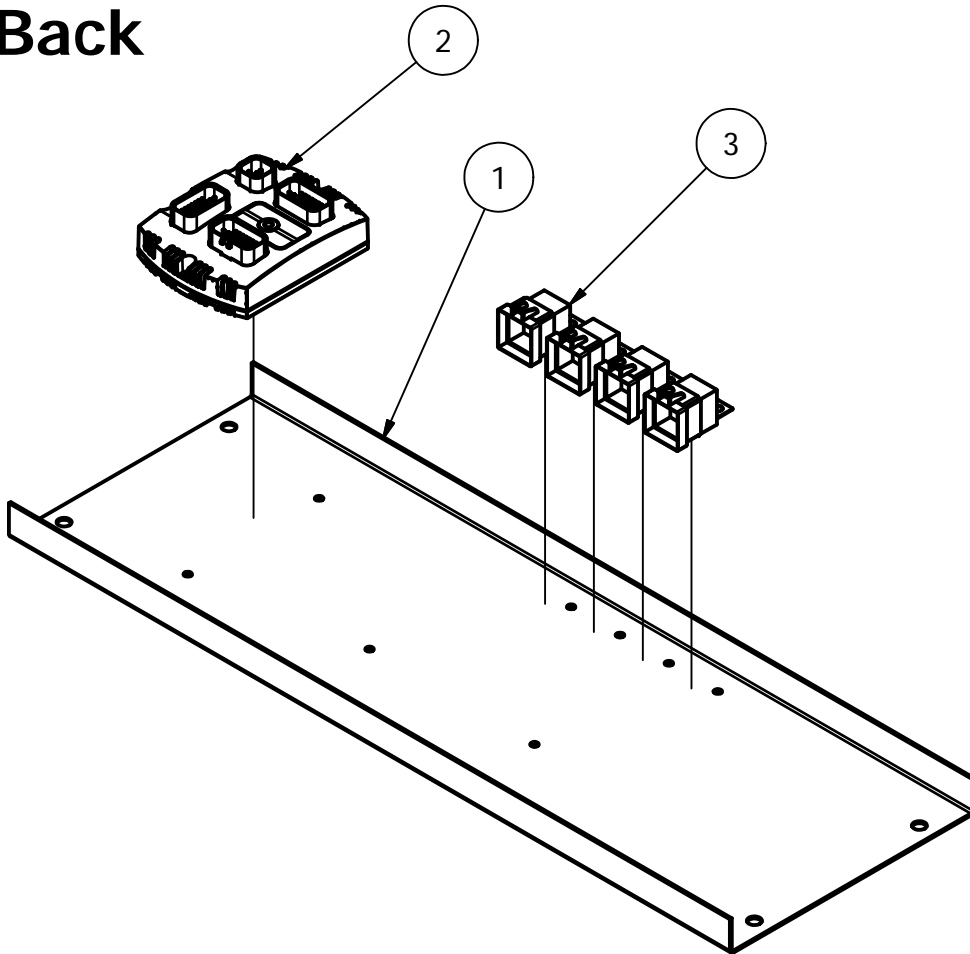
PARTS LIST			
ITEM	QTY	PART NUMBER	DESCRIPTION
1	1	1490-5929	2.1 GPM Pump
2	1	1490-6598	Reservoir Six Qt. Tank
3	2	1490-5773	Spray Oiler Mount
4	4	1490-5161	Worm Gear Hose Clamp 7/16 - 11/16
5	2	1490-5444	Worm Gear Hose Clamp 9/16 - 1 1/4
6	1	1490-5475	11/16 UN x 3/8 Barb Tee
7	1	1490-5976	5/8" Hose Barb Port Fitting
8	1	1490-6267	3/8" Hose Barb Port Fitting
9	15'	1490-5176	3/8" x .594" Braided Tubing
10	2"	1490-4945	5/8' Black Heater Hose
11	1	1490-5476	11/16 UN x 3/8 Barb Elbow
12	2	1490-5477	11/16 UN Spray Nozzle Cap Nut
13	2	1490-5897	TeeJet Spray Tip
14	2	1490-5478	50 Mesh Screen w/check valve
15	1	1490-6614	Oiler Tank Support

**Oiler System uses a light weight mineral oil
1490-5912 (5-gallon) & 1490-4629 (Bulk)
(Vegetable oils will gum up and eat the paint)**

ECU Plate Detail

Back

Home

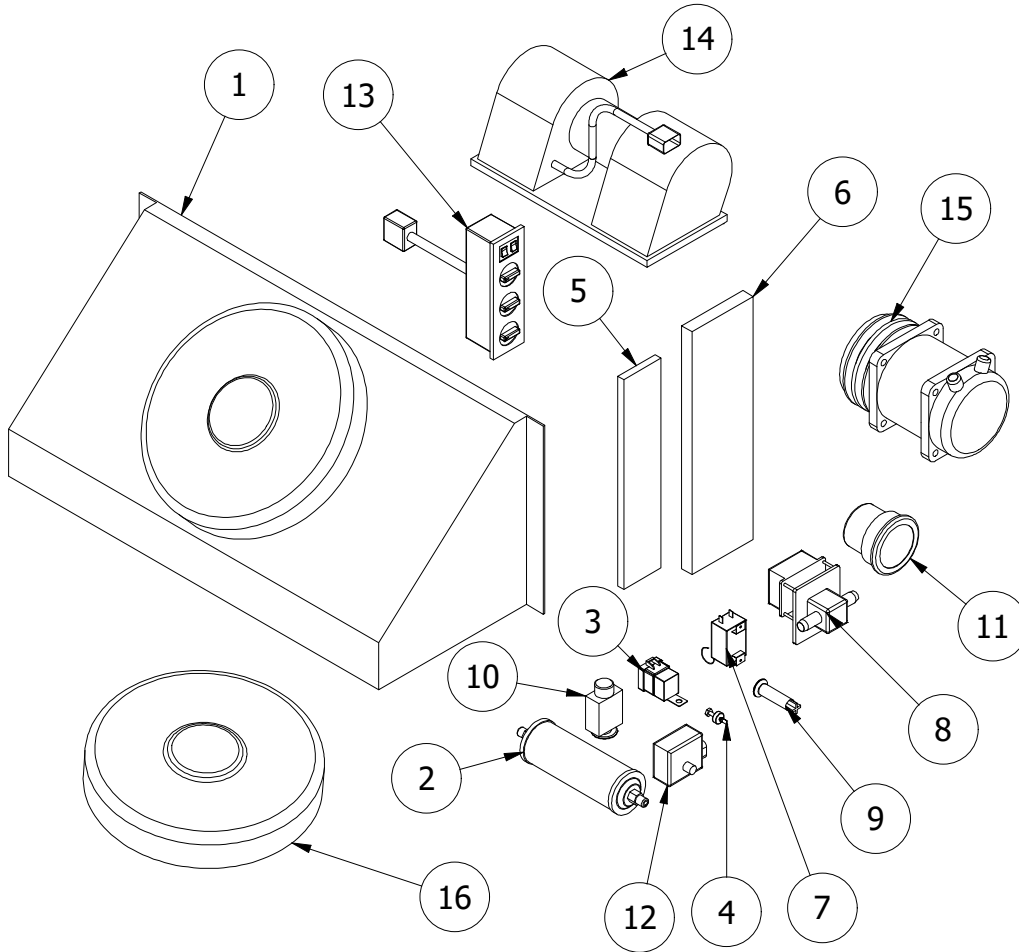


PARTS LIST			
ITEM	QTY	PART NUMBER	DESCRIPTION
1	1	5550-335	ECU Wiring Mount
2	1	1490-6083	Hydraforce 2415 ECU
3	4	1490-5053	Water Tight Relay 12V (A/C)

A/C Detail

Back

Home



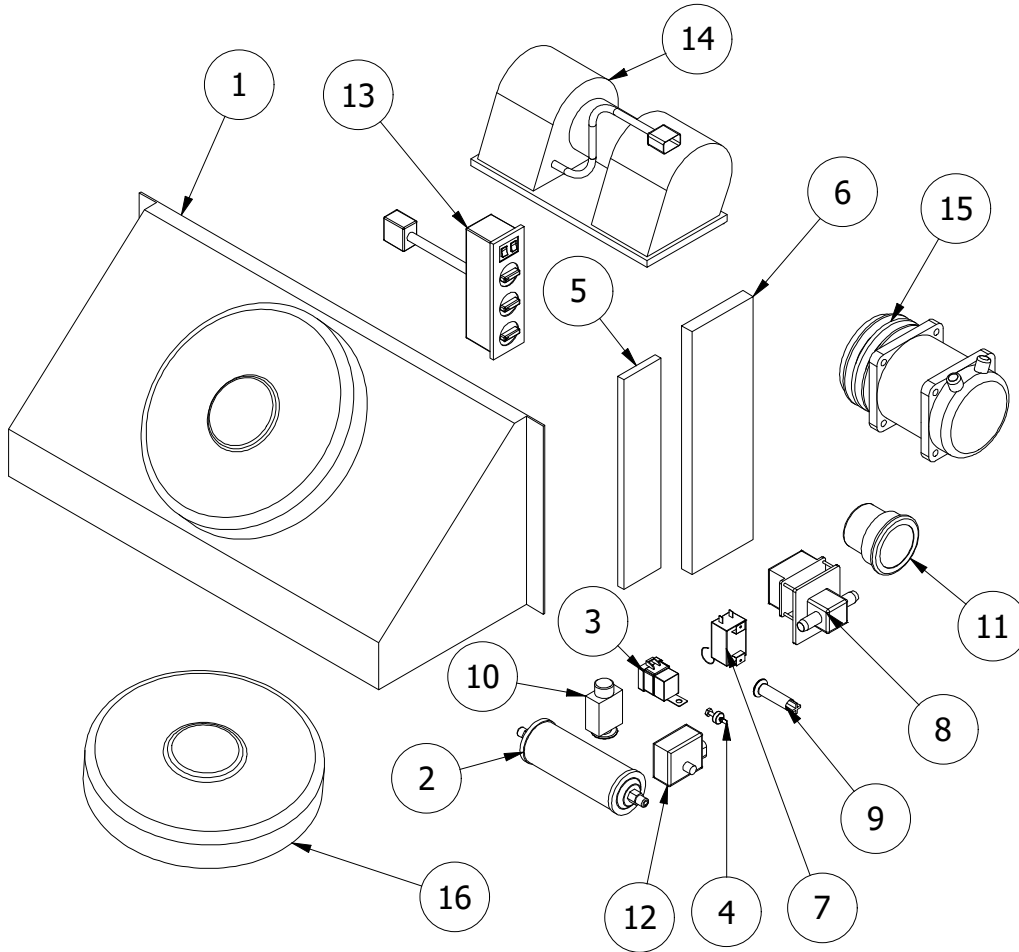
PARTS LIST			
ITEM	QTY	PART NUMBER	DESCRIPTION
1	1	1490-3737	Remote A/C Condensor Complete Assy
2	1	1490-4658	Receiver Drier
3	1	1490-5053	Water Tight Relay 12V (A/C)
4	1	1490-5629	Diode
5	1	1490-6329	Recirculating Filter (Foam)
6	1	1490-6328	Fresh Air Filter (Paper)
7	1	1490-5808	Thermostat U/N 657 & Down
7	1	1490-6331	Thermostat U/N 658 & Up
8	1	1490-6330	Water Valve 12V
9	1	1490-6336	Condensate drain duckbill
10	1	1490-6332	Expansion Valve
11	1	1490-6334	A/C louver vent
12	1	1490-6337	Air Flow Control Motor
13	1	1490-6335	A/C Control Panel
14	1	1490-6333	Blower Motor (Cab)
15	1	1490-4628	Compressor (4509, 4510, 6664, 6668)
16	1	1490-6572	Condensor Electric Fan

Charge with approx. 4-1/4 lbs of R-134A

A/C Detail

Back

Home



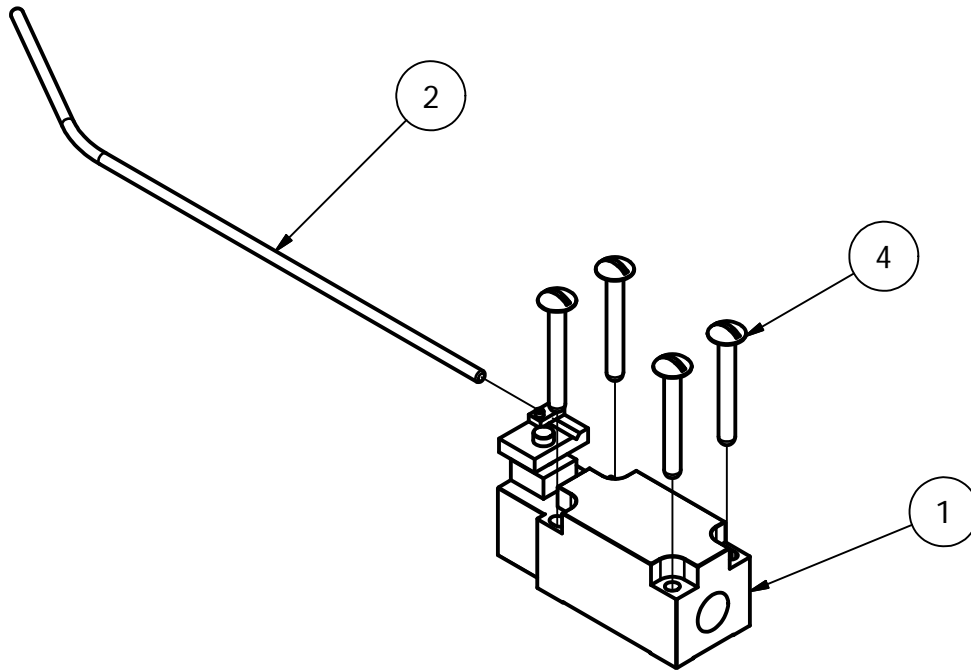
PARTS LIST			
ITEM	QTY	PART NUMBER	DESCRIPTION
1	1	1490-3737	Remote A/C Condensor Complete Assy
2	1	1490-4658	Receiver Drier
3	1	1490-5053	Water Tight Relay 12V (A/C)
4	1	1490-5629	Diode
5	1	1490-6329	Recirculating Filter (Foam)
6	1	1490-6328	Fresh Air Filter (Paper)
7	1	1490-5808	Thermostat U/N 657 & Down
7	1	1490-6331	Thermostat U/N 658 & Up
8	1	1490-6330	Water Valve 12V
9	1	1490-6336	Condensate drain duckbill
10	1	1490-6332	Expansion Valve
11	1	1490-6334	A/C louver vent
12	1	1490-6337	Air Flow Control Motor
13	1	1490-6335	A/C Control Panel
14	1	1490-6333	Blower Motor (Cab)
15	1	1490-4628	Compressor (4509, 4510, 6664, 6668)
16	1	1490-6572	Condensor Electric Fan

Charge with approx. 4-1/4 lbs of R-134A

1/4 Turn Microswitch Detail

Back

Home

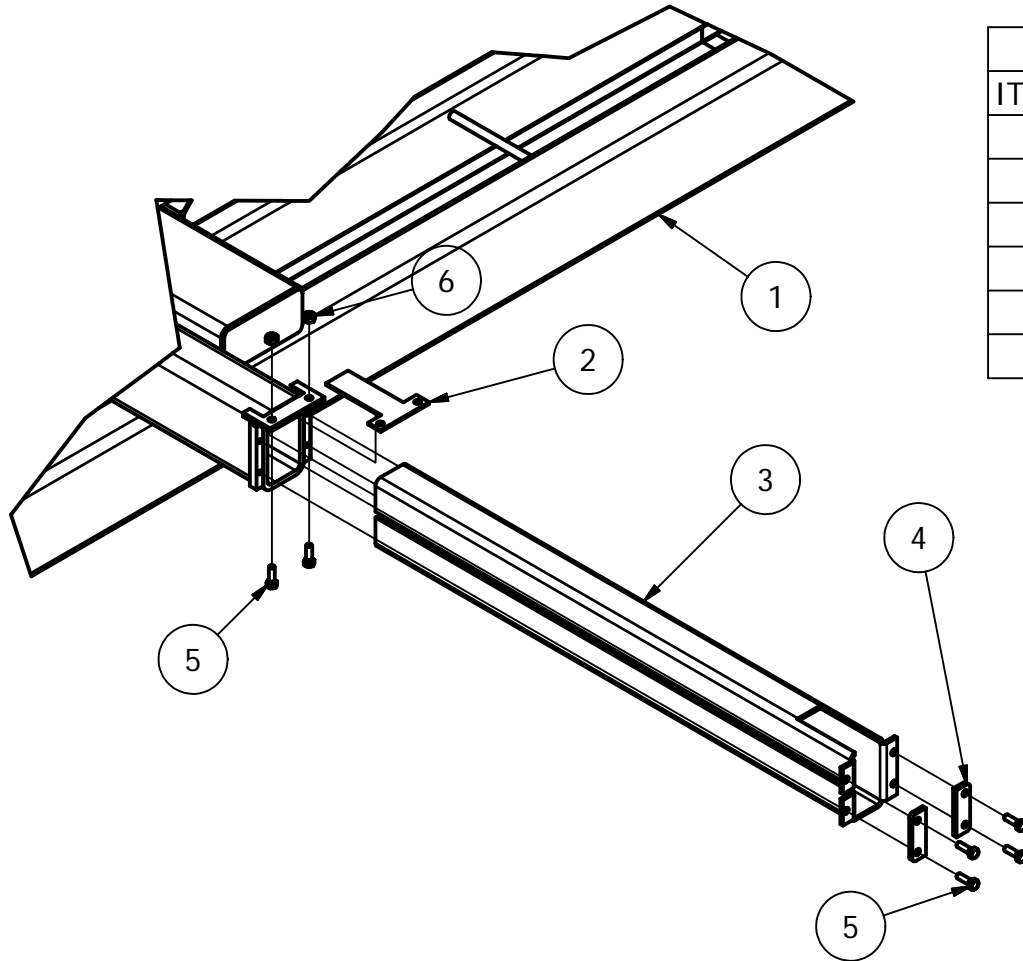


PARTS LIST			
ITEM	QTY	PART NUMBER	DESCRIPTION
1	1	1490-5894	Limit Switch w/rod mount
2	1	1490-6307	Rod for 1/4 Turn Limit Switch
4	4	1/4-20 X 2	Slotted Truss Head Machine Screw

Squeeze Rail Poly Detail

Back

Home



PARTS LIST			
ITEM	QTY	PART NUMBER	DESCRIPTION
1	1	6560A	500 Series Stacking Main Slide Assembly
2	4	2460-328	Squeeze Wear Plate
3	4	2460-331	36" Squeeze Poly Liner
4	8	2460-320	Squeeze Poly Strap
5	24	5/16-18 X 1	Hex Bolt
6	8	5/16 - 18	Hex Nut

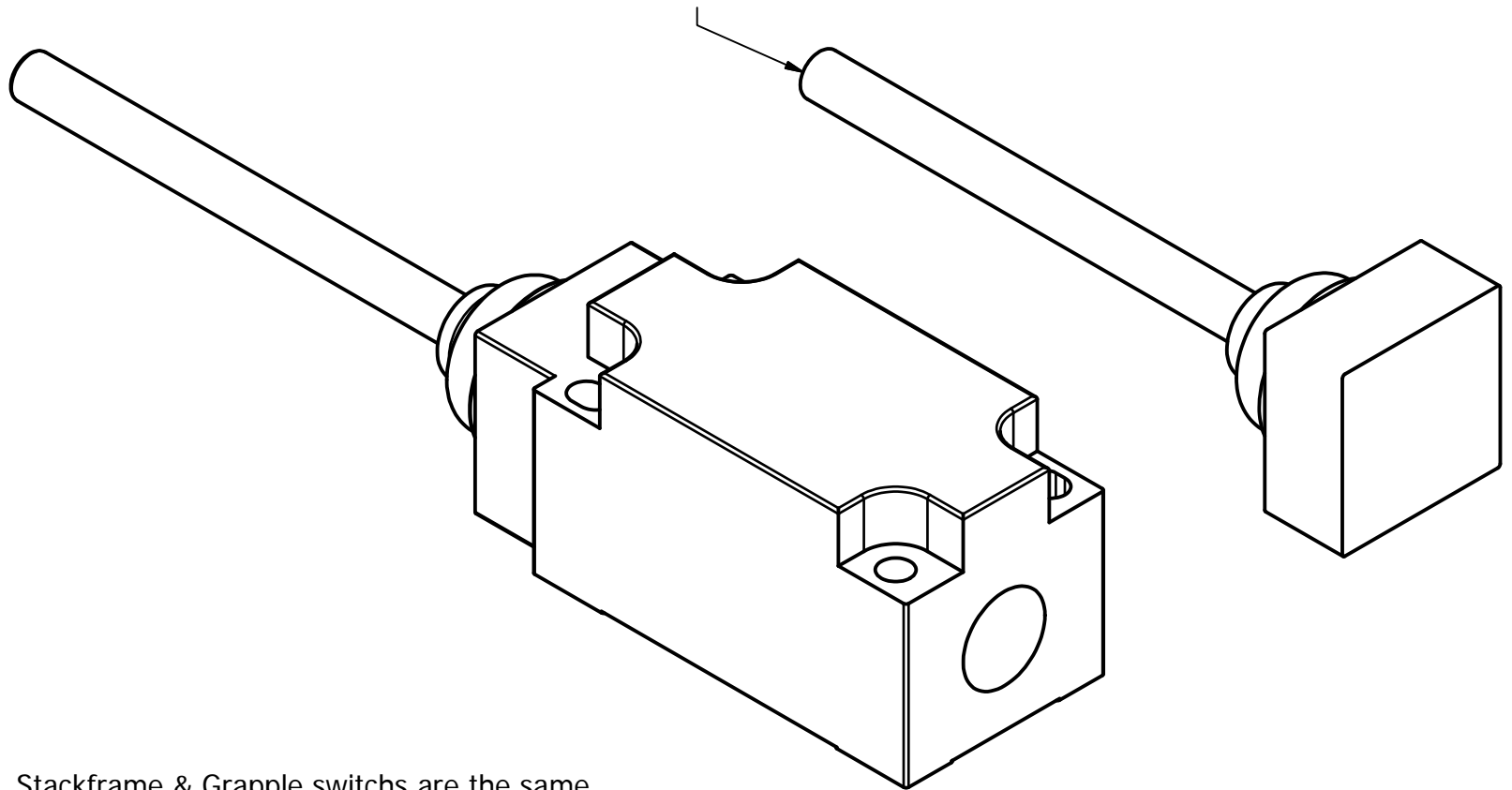
StackFrame Microswitch

1490-5764

Back

Home

Head assy Only W/Spring Arm
1490-6080



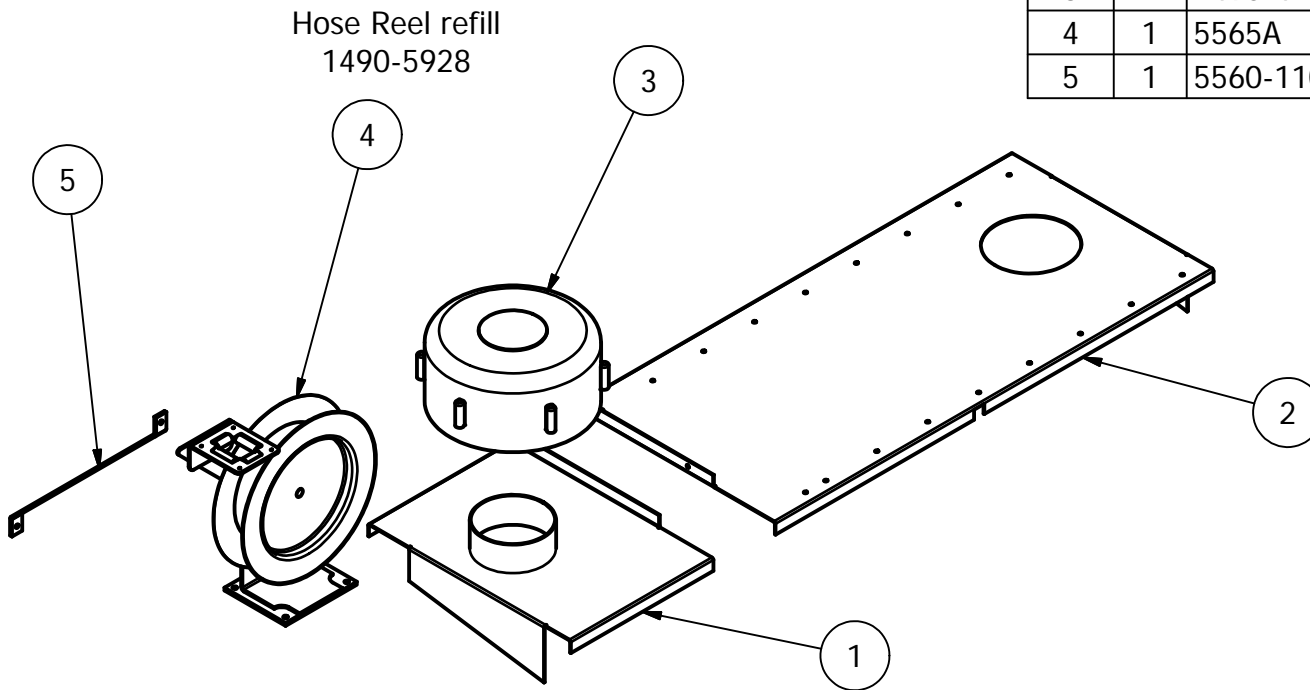
Stackframe & Grapple switches are the same

Air Chamber Detail

Back

Home

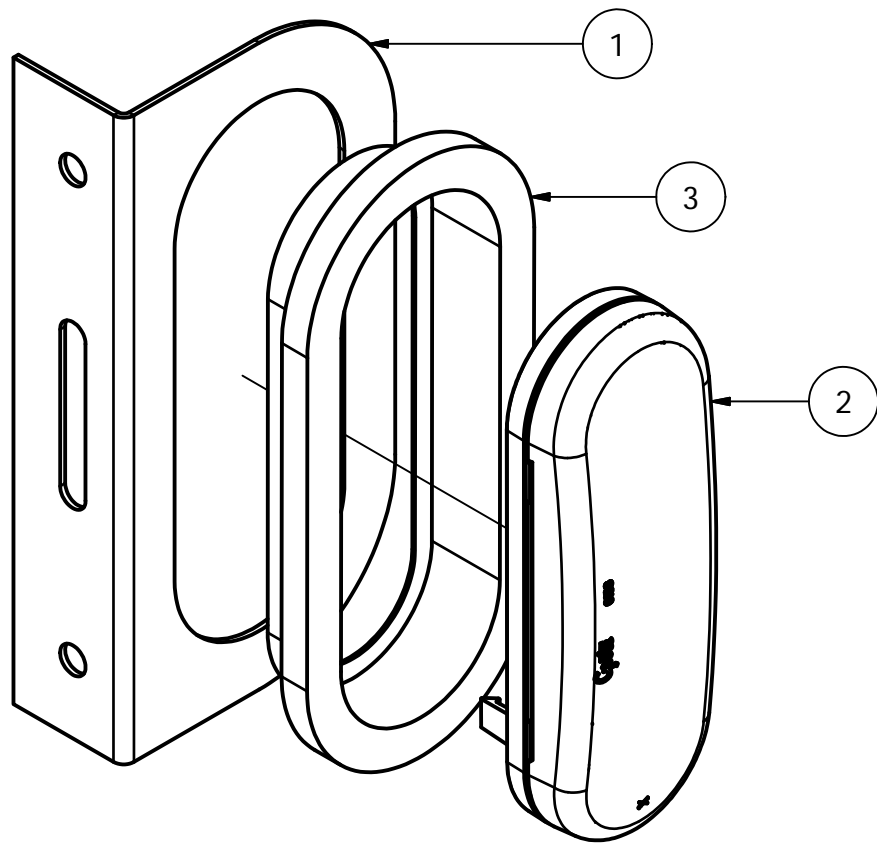
PARTS LIST			
ITEM	QTY	PART NUMBER	DESCRIPTION
1	1	2000A14	Front Air Cleaner Chamber Plate
2	1	2000-421	Air Cleaner Chamber Rear Plate
3	1	1490-4768	Model 6-350/1100 Precleaner
4	1	5565A	Hose Reel Assy (Complete W/Hose)
5	1	5560-110	Air Reel Support Strap



Compartment Light Detail

Back

Home

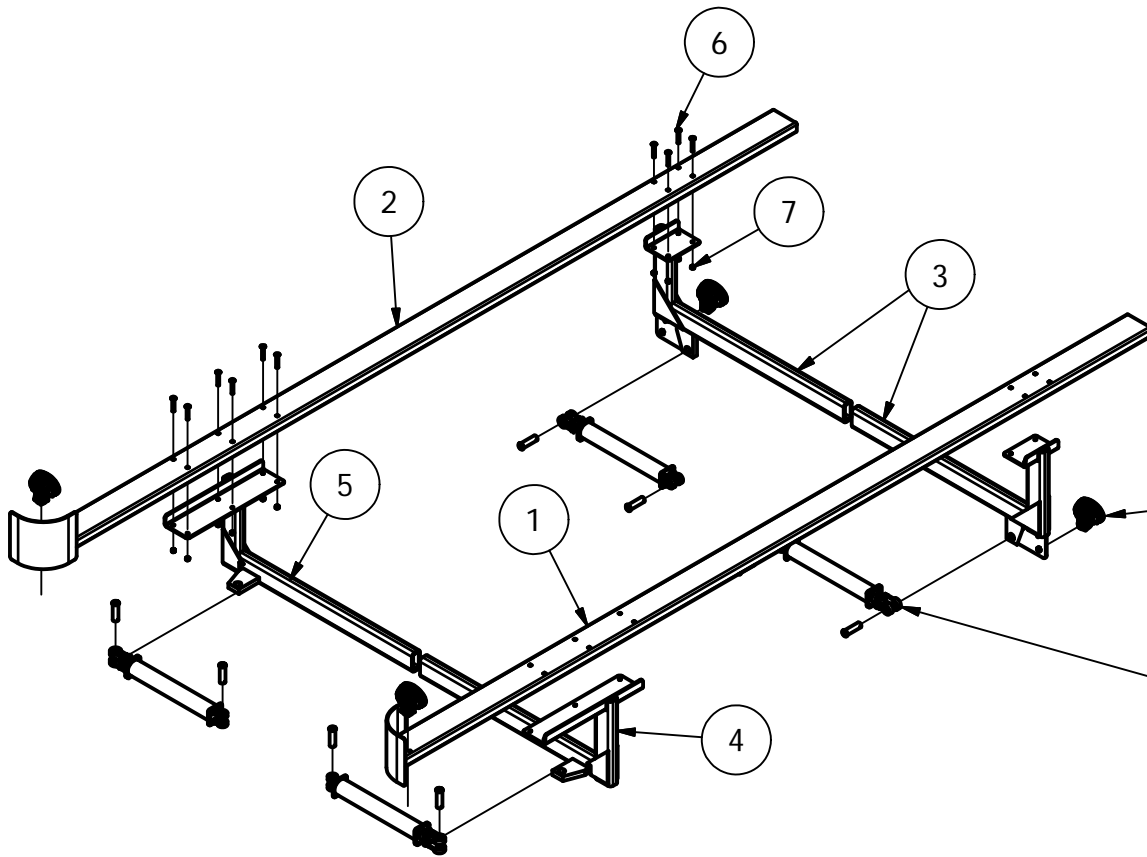


PARTS LIST			
ITEM	QTY	PART NUMBER	DESCRIPTION
1	1	1490-3502	Black Steel Oval Light Bracket
2	1	1490-6321	Oval 6" LED Dome Compartment Light
3	1	1490-6265	Rubber Grommet for Tail lights

Squeeze Rail Detail

Back

Home



PARTS LIST			
ITEM	QTY	PART NUMBER	DESCRIPTION
1	1	6563A1L	LH Squeeze Tube Weldment
2	1	6563A1R	RH Squeeze Tube Weldment
3	2	6563A2	Rear Squeeze Arm
4	1	6563A3	LH Front Squeeze Arm
5	1	6563A4	RH Front Squeeze Arm
6	20	Bolt	3/8 X 2-3/4 Carriage Bolt
7	20	3/8	Hex Nut

Lights

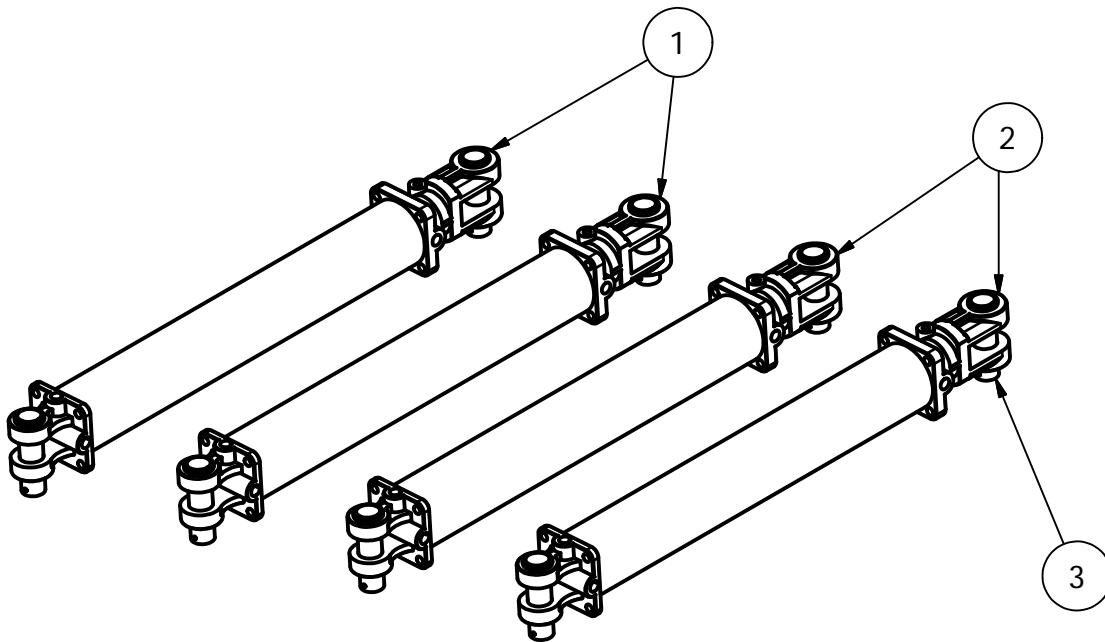
Squeeze Rail
Cylinders

Squeeze Rail Cylinders

[Back](#)

[Home](#)

PARTS LIST			
ITEM	QTY	PART NUMBER	DESCRIPTION
1	2	1490-4454	Front Squeeze Cylinder 3-3/4 x 16 x 1-3/8
2	2	1490-4453	Rear Squeeze Cylinder 3-1/2 x 16 x 1-1/4
3	8	1490-1863	1 x 3-1/8 Cyl Pin



**Rear Cylinder Seal Kit
Part # 1490-5025**

**Front Cylinder Seal Kit
Part # 1490-5026**

Rear Axle Components

Back

Home

**Complete
Assy**

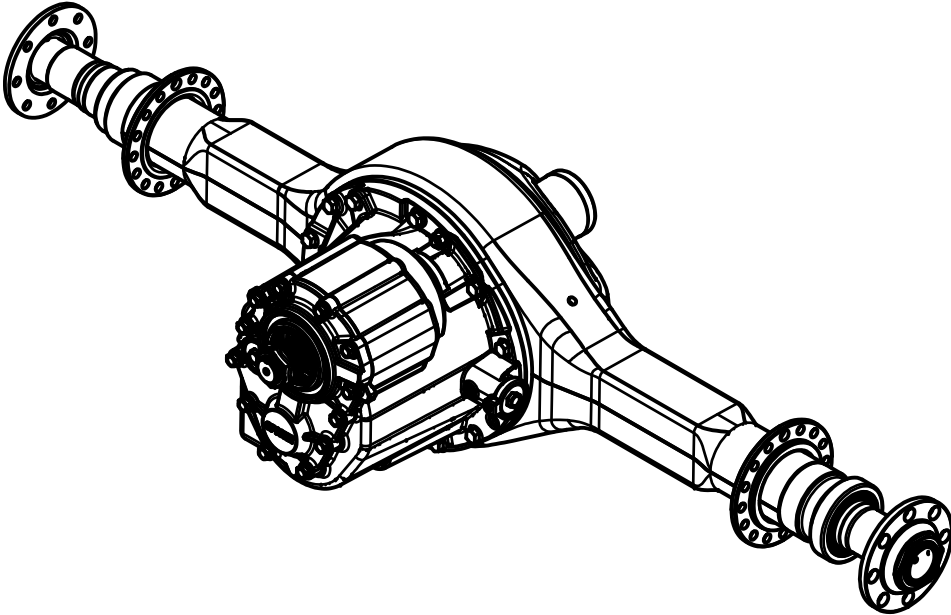
**Drive
Axle**

**Hub &
Brakes**

**Wheel Studs
& Nuts**

**Seals &
Bearings**

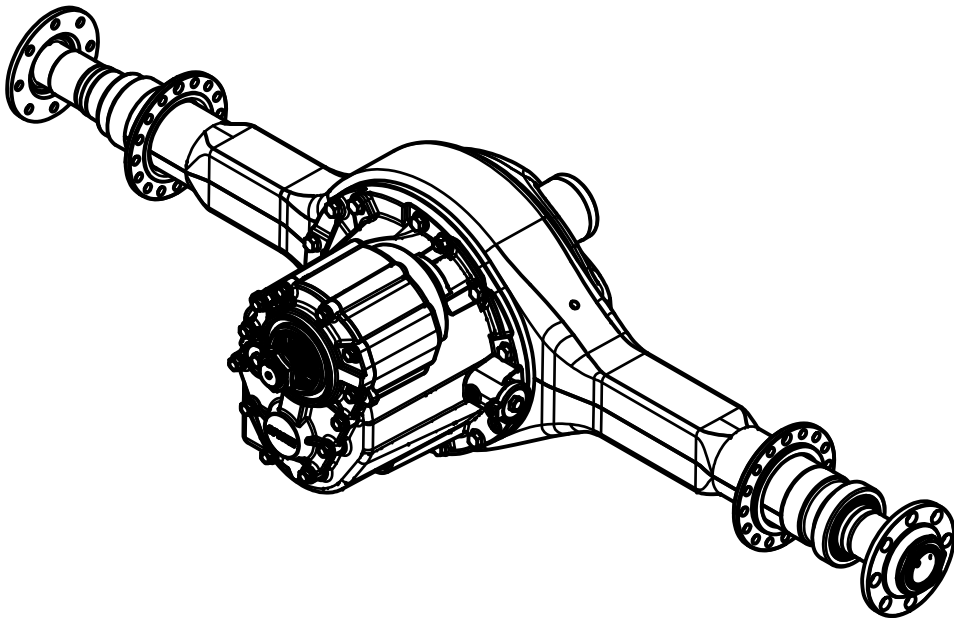
**Drive
Shaft**



Rear Axle Assemblies

[Back](#)

[Home](#)



**Complete Axle Assy S26-590
Part #1490-6183**

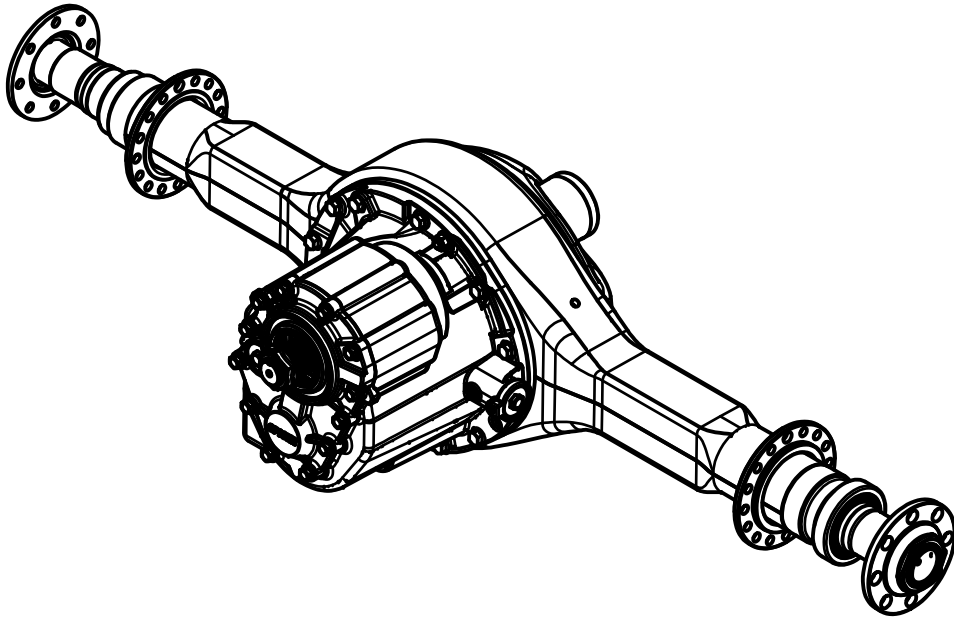
(No Hub or Drum)

**Complete Loaded Head Assy
Part #1490-6009**

Rear Axle Seals & Bearings

[Back](#)

[Home](#)



**Inner Rear Axle Bearing
Part #1490-6018**

**Outer Rear Axle Bearing
Part #1490-6019**

**Rear Wheel Seal
Part #1490-5165**

**Rear Wheel Wear Sleeve
Part #1490-5503**

Wheel Stud & Nut Detail

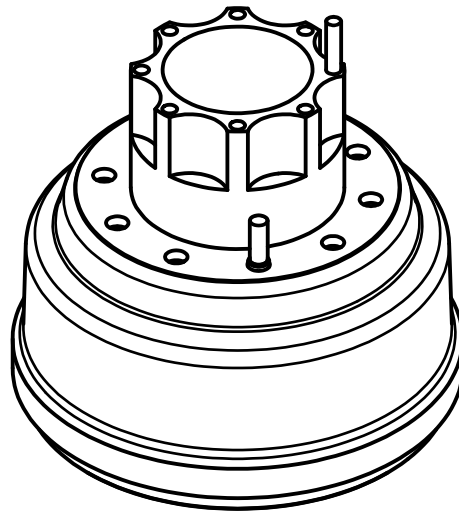
Back

Duals

Euclid Nut Rear LH
Inner 1490-6221
Outer 1490-5798

Euclid Nut Rear RH
Inner 1490-6220
Outer 1490-5797

**Rear Hub &
Brake**



Home

Singles

Euclid Rear 3/4-16 LH
Stud Part #1490-4486
Nut Part #1490-2335

Euclid Rear 3/4-16 RH
Stud Part #1490-4485
Nut Part #1490-2336

**Rear Axle
Detail**

Rear Axle Plate Detail

Back

Home

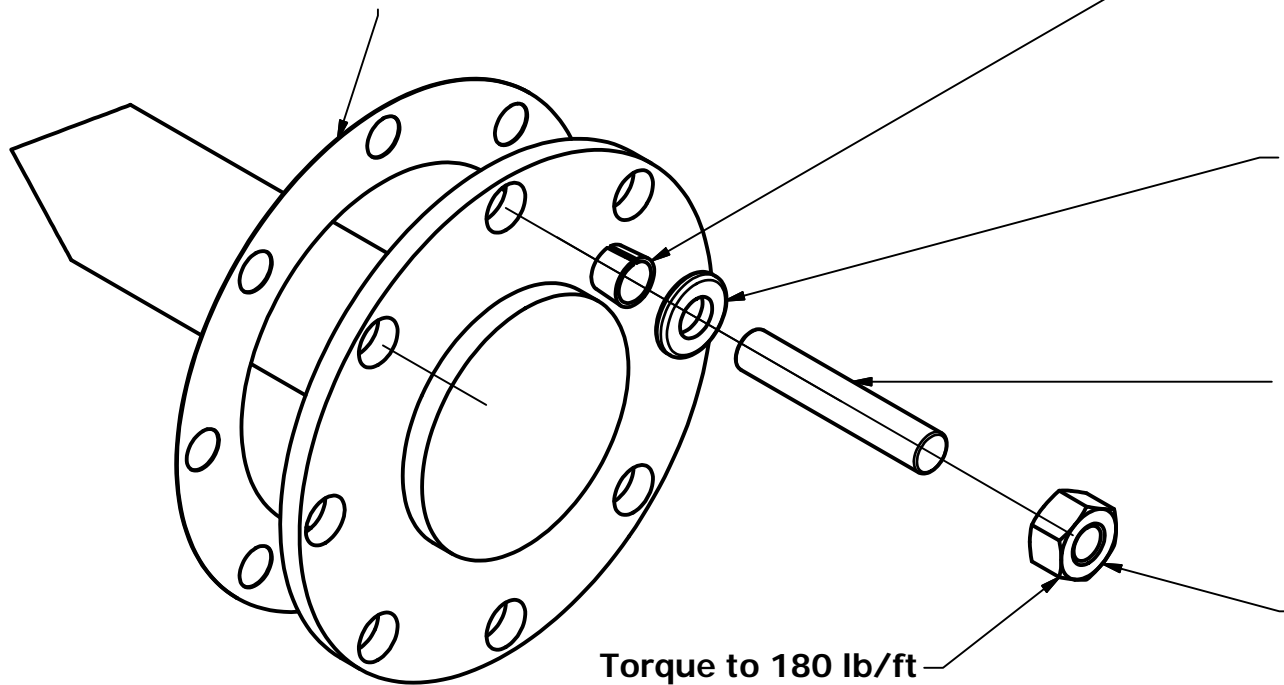
Axle Flange Gasket
Part #1490-5821

Axle Shaft Cone
Part #1490-5605

Axle Shaft Washer
Part #1490-5606

Axle Drive Stud
Part #1490-5027

Axle Shaft Nut
Part #1490-5607



Wheel Stud & Nut Detail

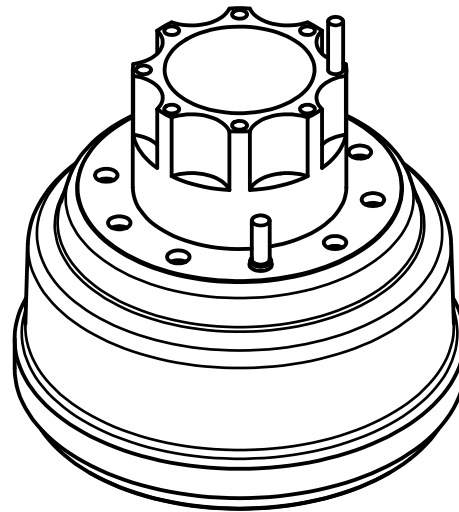
Back

Duals

Euclid Nut Rear LH
Inner 1490-6221
Outer 1490-5798

Euclid Nut Rear RH
Inner 1490-6220
Outer 1490-5797

**Rear Hub &
Brake**



Home

Singles

Euclid Rear 3/4-16 LH
Stud Part #1490-4486
Nut Part #1490-2335

Euclid Rear 3/4-16 RH
Stud Part #1490-4485
Nut Part #1490-2336

**Rear Axle
Detail**

Rear Axle Shaft

[Back](#)

[Home](#)

Rear Axle Short

1490-5674

S/N 393-790, 792-794

1490-7001

S/N 791, 795 & Later

**Rear Axle
Plate Detail**

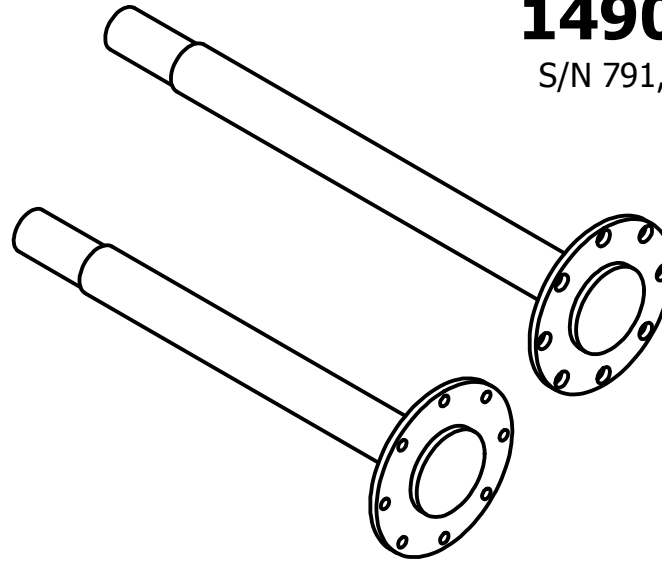
Rear Axle Long

1490-5673

S/N 393-790, 792-794

1490-7000

S/N 791, 795 & Later



Rear Axle Plate Detail

Back

Home

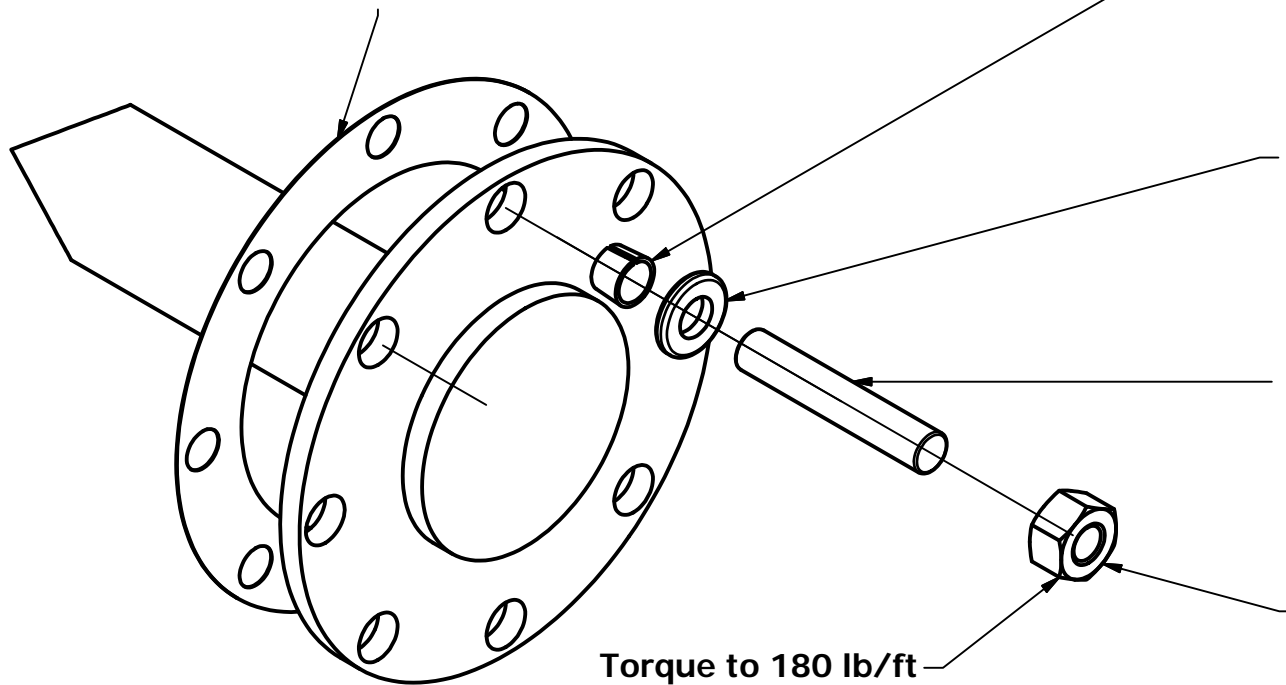
Axle Flange Gasket
Part #1490-5821

Axle Shaft Cone
Part #1490-5605

Axle Shaft Washer
Part #1490-5606

Axle Drive Stud
Part #1490-5027

Axle Shaft Nut
Part #1490-5607



Torque to 180 lb/ft

Rear Axle Shaft

[Back](#)

[Home](#)

Rear Axle Short

1490-5674

S/N 393-790, 792-794

1490-7001

S/N 791, 795 & Later

**Rear Axle
Plate Detail**

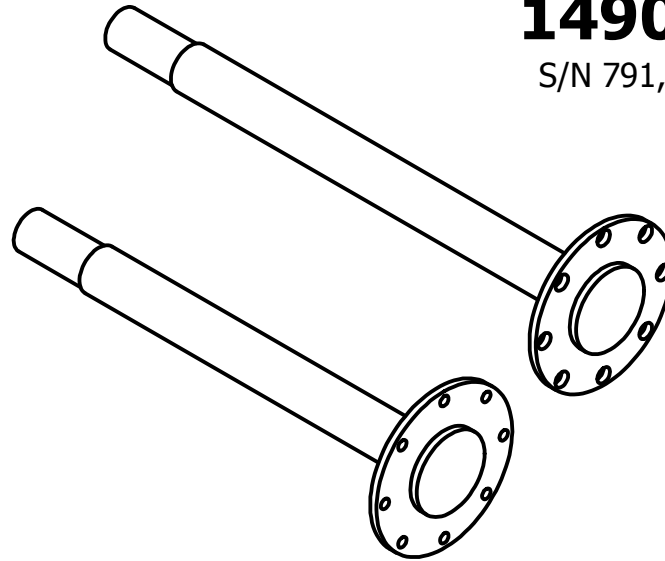
Rear Axle Long

1490-5673

S/N 393-790, 792-794

1490-7000

S/N 791, 795 & Later

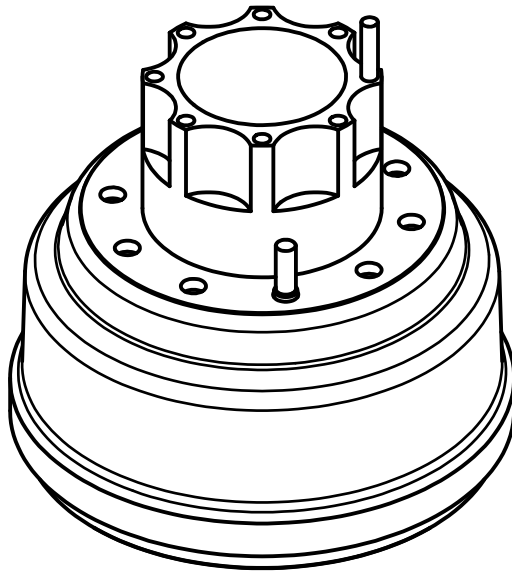


Rear Axle Brake Parts

Hub & Drum Assemblies Come with Wheel & Axle Plate Studs
(No Nuts, Cones, Washers, or Gasket)

[Back](#)

[Home](#)



RH Hub & Drum Assy
Part #1490-5835

LH Hub & Drum Assy
Part #1490-5836

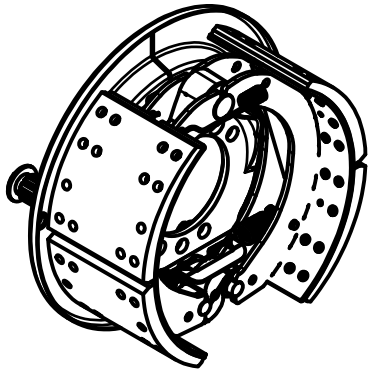
Eaton Lined Shoe Set
Part #1490-4907
(1 Per Wheel)

Brake Pad Sets

(come with mounting Hardware Kit)

[Back](#)

[Home](#)



Front Axle

Eaton Lined Shoe Set

Part #1490-4906

(1 set per Wheel)

Rear Axle

Eaton Lined Shoe Set

Part #1490-4907

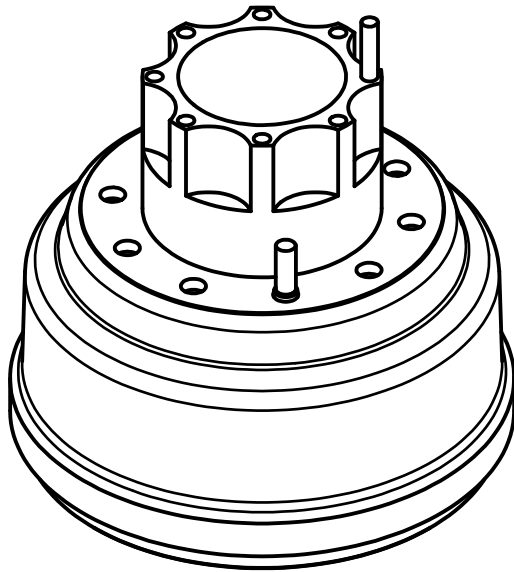
(1 set per Wheel)

Rear Axle Brake Parts

Hub & Drum Assemblies Come with Wheel & Axle Plate Studs
(No Nuts, Cones, Washers, or Gasket)

[Back](#)

[Home](#)



RH Hub & Drum Assy
Part #1490-5835

LH Hub & Drum Assy
Part #1490-5836

Eaton Lined Shoe Set
Part #1490-4907
(1 Per Wheel)

Drive Shaft Parts

[Back](#)

[Home](#)

**Complete PTS Driveshaft Assy W/U-Joints
and "K" Fuses Part #1490-5718**

U-Joint Only Part # 1490-2454

"K" Fuse Set Part # 1490-5749

Front Axle Components

Back

Home

Brakes

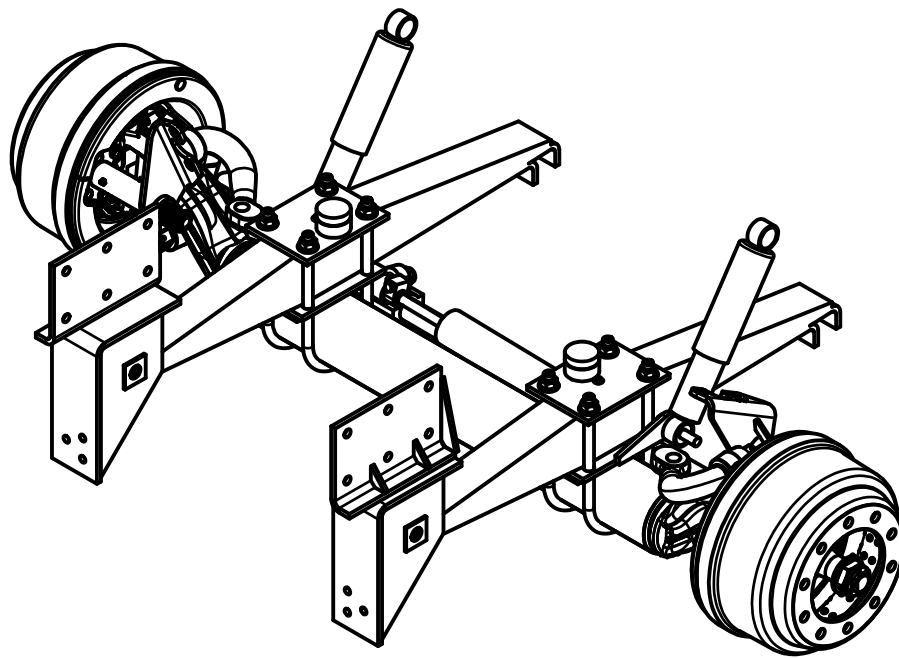
Wheel
Studs

Steering

Shocks &
Bumper

Springs &
Hangers

Other



**Front Axle Wheel
Studs & Nuts**

[Back](#)

[Home](#)

**Euclid Stud Front Hub Pilot M22x1.5
Part # 1490-5803**

**Euclid Nut Front Hub Pilot M22x1.5
Part # 1490-5794**

12 Leaf Front Spring Stack
1490-4989

U-bolt 1490-5805, Washer & Nut 1490-6022, 1490-5405
Spring Bolt & Nut 1490-5003, 1490-5004

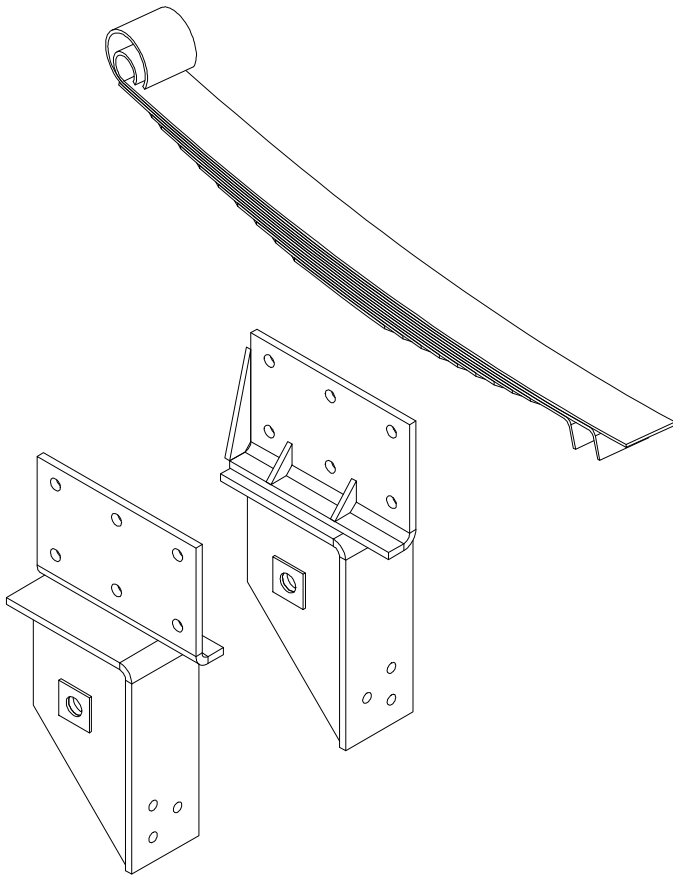
LH Front Spring Hanger
Part # 1490-4729

RH Front Spring Hanger
Part # 1490-4728

LH Rear Spring Hanger
Part # 1490-4730

RH Rear Spring Hanger
Part # 1490-4731

**Bushing &
Poly Parts**



**Front Axle Wheel
Studs & Nuts**

[Back](#)

[Home](#)

**Euclid Stud Front Hub Pilot M22x1.5
Part # 1490-5803**

**Euclid Nut Front Hub Pilot M22x1.5
Part # 1490-5794**

Rear Axle Wheel Studs & Nuts

S/N 791, 795 & Newer

[Back](#)

[Home](#)

**Euclid Stud Rear Hub Pilot M22x1.5
Part # 1490-5803**

**Euclid Nut Rear Hub Pilot M22x1.5
Part # 1490-5794**



Leaf Springs & Hangers

**12 Leaf Front Spring Stack
1490-6579**

(2014 and Newer 11,250 lb stack)

U-bolt 1490-5805, Washer & Nut 1490-6022, 1490-5405
Spring Bolt & Nut 1490-5003, 1490-5004

**LH Front Spring Hanger
Part # 1490-4729**

**RH Front Spring Hanger
Part # 1490-4728**

**LH Rear Spring Hanger
Part # 1490-4730**

**RH Rear Spring Hanger
Part # 1490-4731**

**11 Leaf Rear Spring Stack
1490-5340**

U-bolt 1490-7089, Washer & Nut 1490-6022,
1490-5405

**LH Rear Spring Hanger
Part # 1490-5339**

**RH Rear Spring Hanger
Part # 1490-5403**

**Poly Wear
Pads**

Leaf Spring Bushings & Poly Sets

[Back](#)

[Home](#)

Front Poly Wear Pad Kit

Part # 1490-4575

(one Side Only)

Rear Poly Wear Pad Kit

Part # 1490-4053

(one Side Only)

Poly Slipper Steel Plate

Part # 1490-4576

(one Side Only)

Front Leaf Spring Bushing

Part # 1490-4428

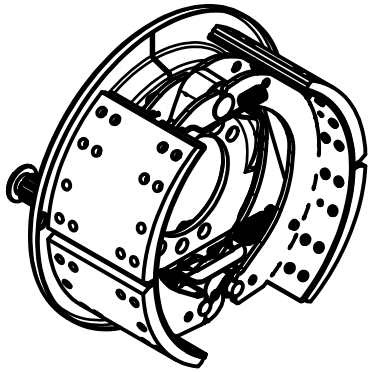
(one Side Only)

**Springs &
Hangers**

Front Axle Brake Parts

[Back](#)

[Home](#)

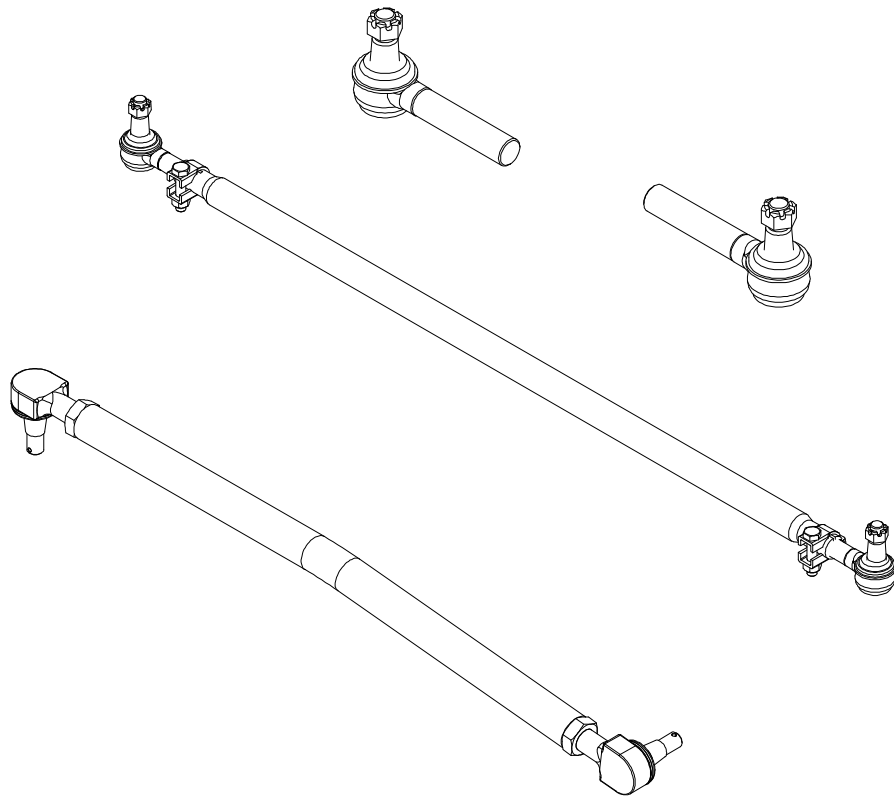


Eaton Lined Shoe Set
Part #1490-4906

Steering Components

Back

Home



Complete Tie Rod Assy
Part #1490-6764
S/N 609, 658-Later

LH Tie Rod End
Part #1490-4661

RH Tie Rod End
Part #1490-4662

Complete Drag Link Assy
Part #1490-6794

Drag Link End
Part #1490-4410

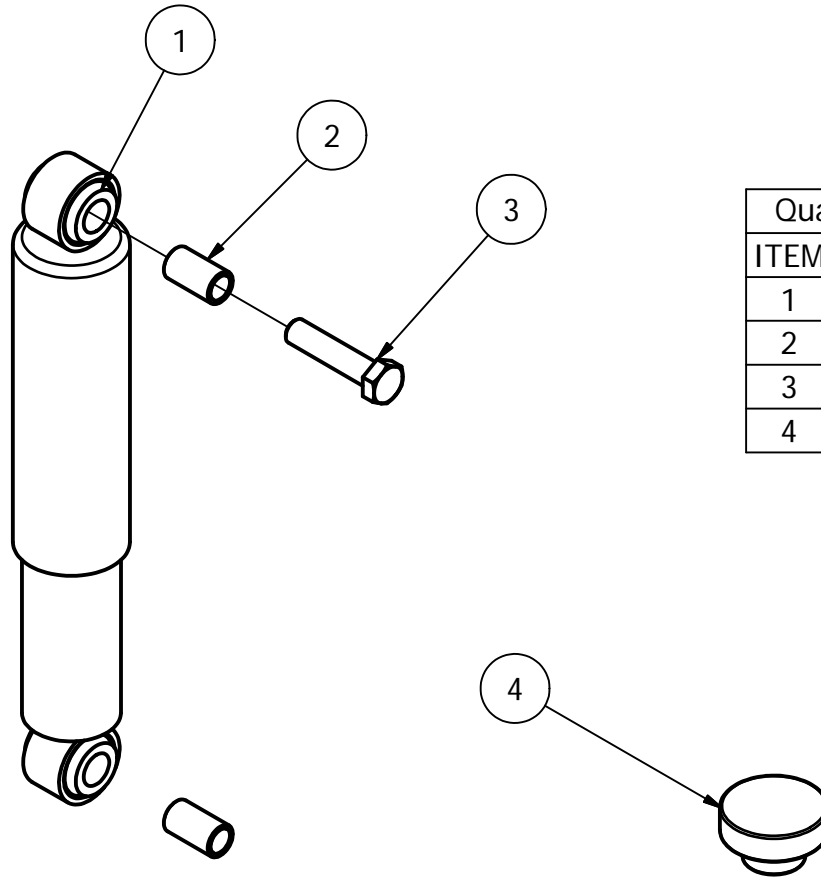
Front Axle Shock

Part # 1490-5181

(No Spacers or Bolt)

Back

Home



Quantity per side		PARTS LIST	
ITEM	QTY	PART NUMBER	DESCRIPTION
1	1	1490-5181	Monroe Front Shock
2	2	1490-5301	Front Shock Spacer Sleeve
3	1	1490-6597	3/4-10 UNC - 3.50 Gd 8
4	1	1490-4068	Front Axle Bumper

Monroe Magnum 70 Part# 74025

Class 7-8 Truck & Bus Shock

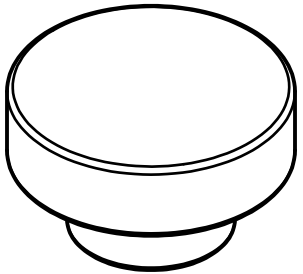
15-³/₄" collapsed 24-³/₄" Extended

35-16 Rubber Bushings for the Old CCC Shock **1490-6232** = Qty 4 per shock

Front Axle Misc Parts

[Back](#)

[Home](#)



Axle Bumper
Part # 1490-4068



Tire & Wheels

[Back](#)

[Home](#)

[Front
Tires & Wheels](#)

[Rear
Tires & Wheels](#)

[Tire Pressure
Monitoring System](#)

[Front Wheel
Studs & Nuts](#)

[Rear Wheel
Studs & Nuts](#)

S/N 794 & Older (except 791)

[Rear Wheel
Studs & Nuts](#)

S/N 791, 795 & Newer

Rear Tires & Wheels

[Back](#)

[Home](#)

Rear Wheel

Chromazome Steel Wheel

Part# 1490-6577

22.5/24 10 hole 7MM
9.38 Backset (Stud Pilot)

Rear Tire

Vredistien

Part# 1490-6202

710/45 22.5 (Inflate to 60 psi)

Front Tires & Wheels

[Back](#)

[Home](#)

Front Wheels

Aluminum Wheel (Standard)

Part# 1490-6590

22.5/13 10 hole 7MM

9.62 Backset (Hub Pilot)

Steel Wheel Chromazone (Optional)

Part# 1490-6578

22.5/16 10 hole 7MM

12.75 Backset (Hub Pilot)

Front Tires

Goodyear (Standard)

Part# 1490-4021

445/65 22.5

(Requires 13" Rim)

Optional (Float)

Nokian Country King

Part# 1490-6423

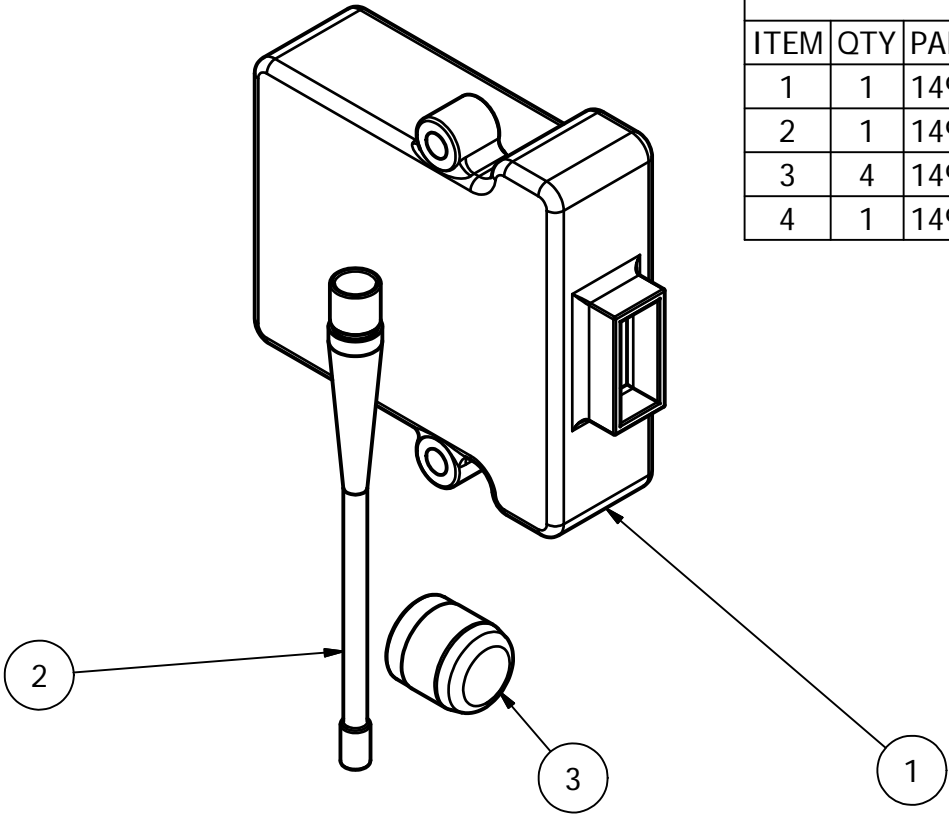
500/60 22.5

(Requires 16" Rim)

Tire Pressure Monitoring System

[Back](#)

[Home](#)



PARTS LIST			
ITEM	QTY	PART NUMBER	DESCRIPTION
1	1	1490-6054	Tire Pressure J1939 Gateway
2	1	1490-6057	7" Antenna for Tire Pressure Gateway
3	4	1490-5780	Tire Pressure Sensor 2.0
4	1	1490-6055	Gateway Connector Cord

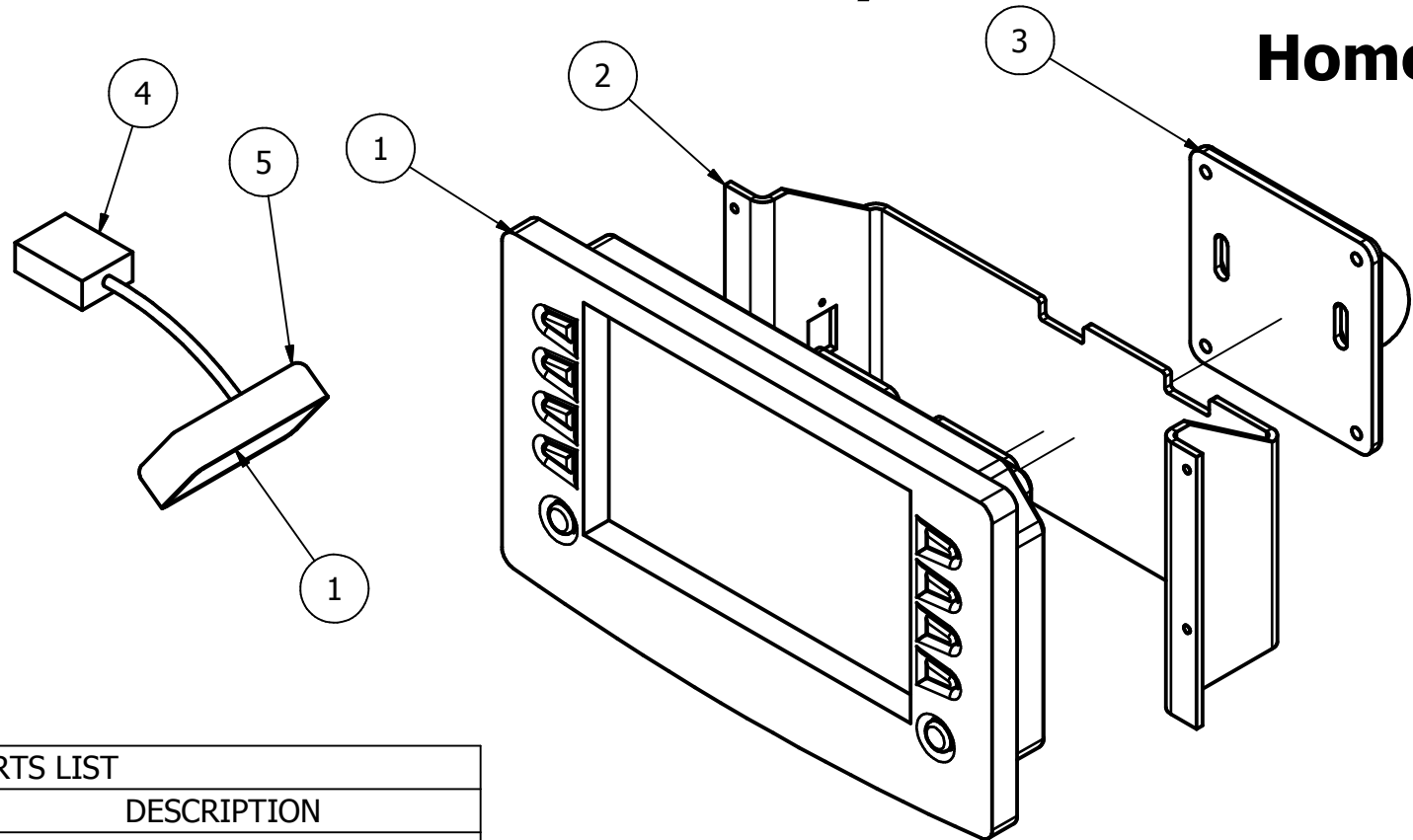
Earlier Systems

- Pressure Pro Monitor....1490-5777
 - 3.5" Antenna.....1490-5778
 - RS-32 Power Cord.....1490-5779
-

Unit Control Monitor Assembly

Back

Home



PARTS LIST

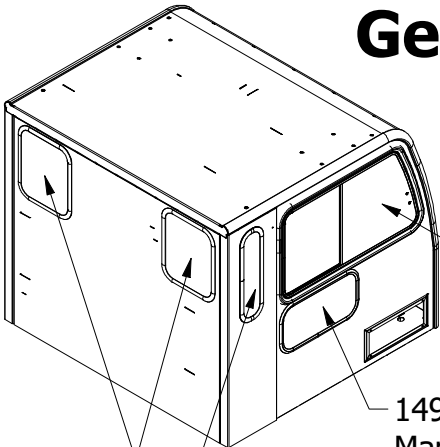
ITEM	QTY	PART NUMBER	DESCRIPTION
1	1	1490-6252	7" Color Touch-Screen Display
2	1	1490-6276	Display Mount Plate
3	1	1490-6402	Versa Base Mount W/1.5" Ball
4	1	1490-6451	USB bulkhead Port W/4-Wire Pigtail
5	1	1490-6086	23-Pin Connector
6	4	1490-6089	Connector Pins

Stinger 6500 Stacker

[Back](#)

[Home](#)

Glass & Seals Gen 2 Able Cab

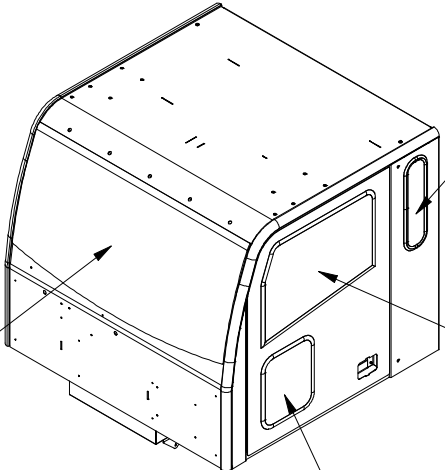


Sliding Glass Window for
Emergency Exit

1490-8063 Lower RH Side
Manufacturer part #172-2305-001
14907724 Rubber Window Trim
Manufacturer Part # 284A-0051

1490-8048 Back Windows
Manufacturer part #172-9140-001
14907724 Rubber Window Trim
Manufacturer Part # 284A-0051

1490-5992 Rear Pillar Window
Manufacturer part #172-2303-001
14907724 Rubber Window Trim
Manufacturer Part # 284A-0051



1490-5992 Rear Pillar Window
Manufacturer part #172-2303-001
14907724 Rubber Window Trim
Manufacturer Part # 284A-0051

1490-5987 Upper Door Window
Manufacturer part #172-9152-001
14907724 Rubber Window Trim
Manufacturer Part # 284A-0051

1490-6571 Cab Windshield Gen 2
Manufacturer part #172-1104-001

1490-8048 Lower Door Window
Manufacturer part # 172-9140-001
14907724 Rubber Window Trim
Manufacturer Part # 284A-0051

18" (LH) Wiper Blade 1490-6699
24" (RH) Wiper Blade 1490-6700